

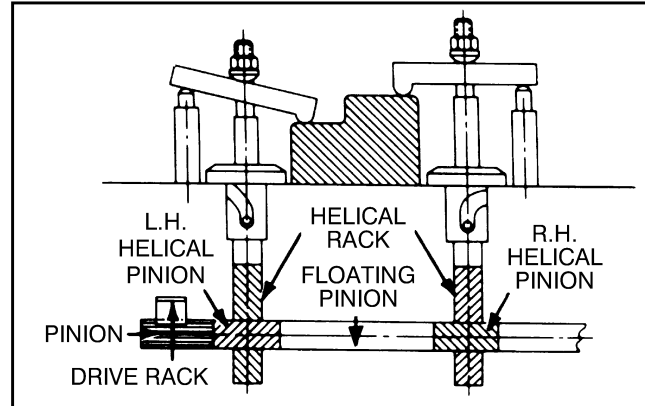


Non-Powered Rota-Shaft Clamps



A wide selection of standard sizes with 3/4", 1", 1 1/2", and 2" dia. shaft to accommodate light-or heavy-duty clamping applications. 90° right- or left-hand standard.

EQUALIZING HEELED CLAMPS FOR NON-POWERED ROTA-SHAFTS



DESIGN FEATURES

- Precision machined cam track
- Hardened and ground housings
- Precision cam roller, hardened and ground
- High alloy machineable steel shafts
- Housing groove provides 360° access for easy lubrication
- Tapped holes in shafts provide easy attachment to cylinders or other means of actuation
- Opposite shaft end is blank for easy customer modification
- Milled flats provide easy and economical mounting using standardly available components
- Wide variety of standard sizes for virtually limitless range of applications – from small irregulars to large uneven workpieces
- Black oxide finish
- Right hand and left hand rotation are both standard

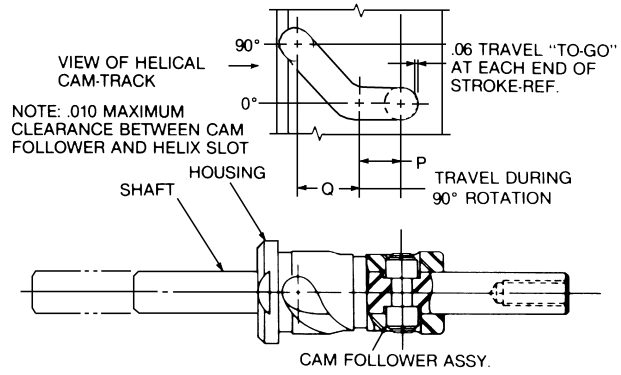
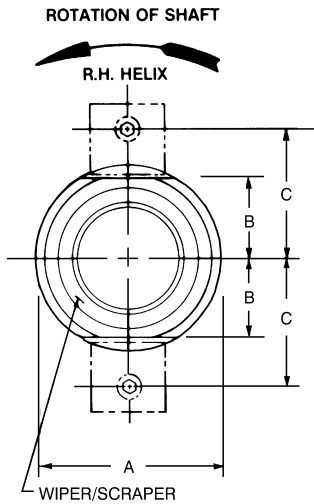
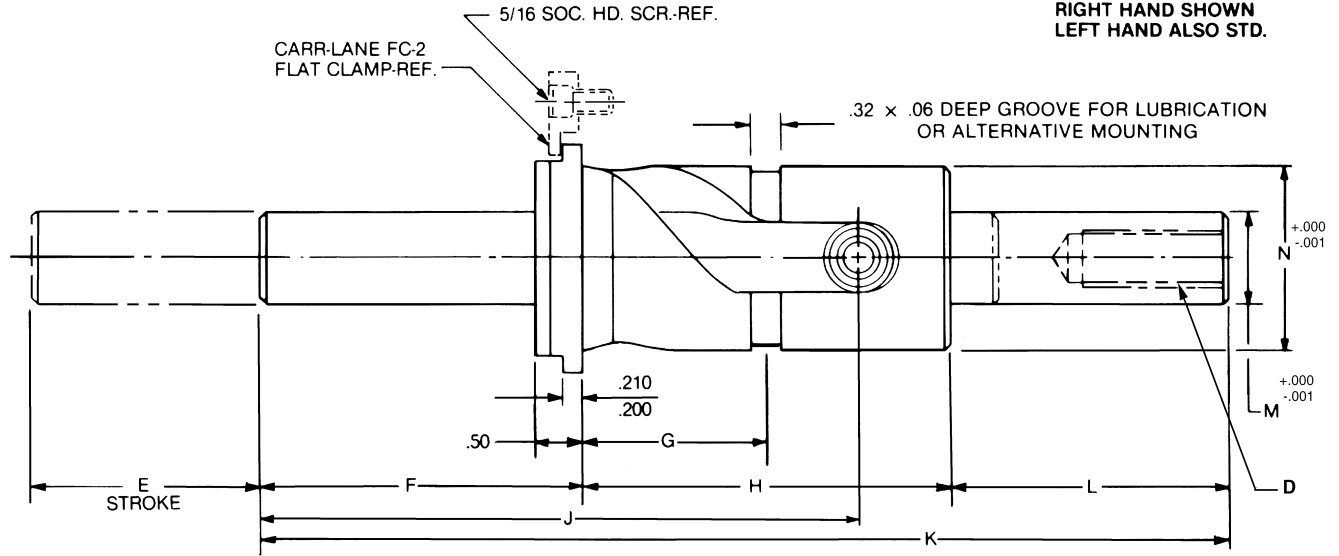
APPLICATION

Typically used in pull to clamp situations where a variety of actuation methods can be implemented.





Non-Powered Rota-Shaft Clamps



Linear/Rotary Motion

click on box to download CAD file

| 2DWG | 3DWG | STP | CAD FILE NAME | PART NUMBER | DIMENSIONS | | | | | | | | | | | | | | |
|------|------|-----|---------------|-------------|------------|------|-------|--------------------------|------|------|------|------|------|-------|------|------------|------------|------|------|
| | | | | | A | B | C | D | E | F | G | H | J | K | L | M | N | P | Q |
| | | | E75206 | E75206 R/L | 2.00 | .75 | 1.406 | 7/16-20 TAP 1.00 DEEP | 2.12 | 2.50 | 1.50 | 3.12 | 5.00 | 8.00 | 2.38 | .750 DIA. | 1.499 DIA. | 1.00 | 1.12 |
| | | | E11500 | E11500 R/L | 2.50 | 1.06 | 1.718 | 5/8-18 TAP 1.50 DEEP | 2.50 | 3.50 | 2.00 | 4.00 | 6.50 | 10.50 | 3.00 | 1.000 DIA. | 1.999 DIA. | 1.00 | 1.50 |
| | | | E14207 | E14207 R/L | 2.50 | 1.06 | 1.718 | 3/4-16 TAP 1.50 DEEP | 2.50 | 3.50 | 2.00 | 4.00 | 6.50 | 10.50 | 3.00 | 1.500 DIA. | 2.249 DIA. | 1.00 | 1.50 |
| | | | E2000 | E2000 R/L | 3.50 | 1.56 | 2.218 | 1-14 TAP 2.00 DEEP | 3.00 | 3.50 | 2.25 | 4.50 | 7.00 | 11.50 | 3.50 | 2.000 DIA. | 2.999 DIA. | 1.12 | 1.88 |

CAD Directory
Linear-Rotary\Nonpower