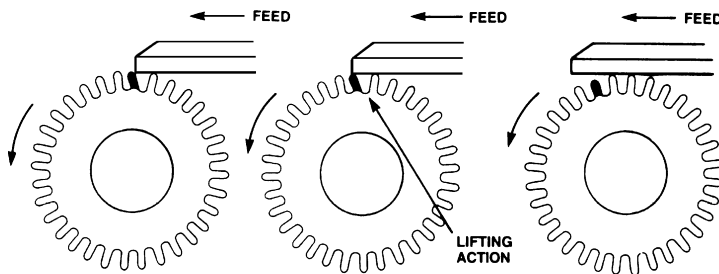
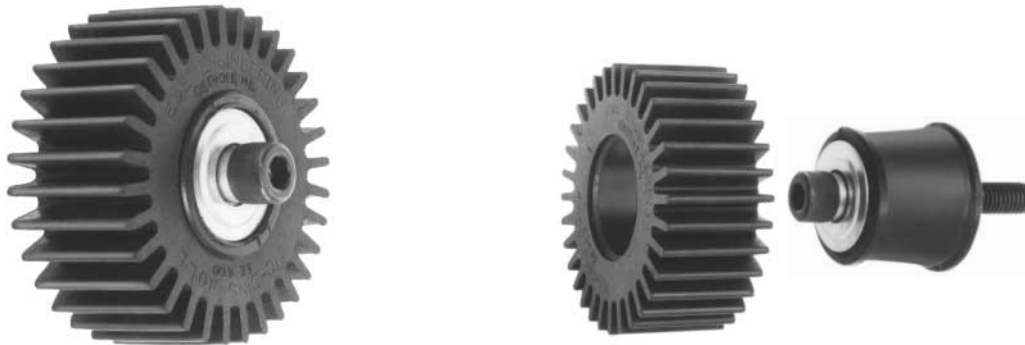


# “No Ding” Conveyor Rolls

Click to download CAD File (STP Format) 2dwg & 3dwg visit eandesp.com

**CAD File Name E400**

**PART No. E400**

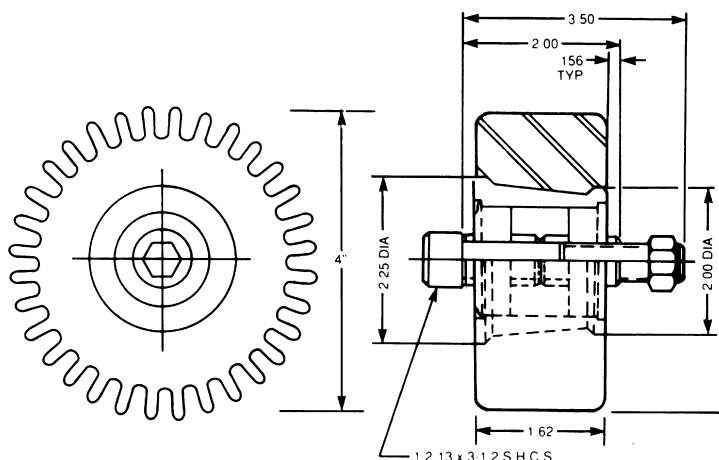


These fingers flex on impact, and the following finger gently lifts the leading edge of incoming stock or parts. The combination of tough elastomer and flexible finger design makes “No-Ding” rolls exceptionally durable, substantially extending roll life in many applications.

- Protect Your Products
- Last Longer Than Conventional Rolls
- Reduce Maintenance Costs

“No-Ding” conveyor rolls combine gentle, mar-free handling of parts and stock with excellent durability and reduced maintenance costs. The secret is in the exclusive design that replaces conventional rolls with a molded elastomeric element that has thirty-two tough, resilient fingers around its periphery.

When they do wear out, the “No-Ding” design permits economical replacement of the wheel while the hub and bearing assembly remains mounted on your equipment. This exclusive feature minimizes the long-term operating cost of “No-Ding” Rolls, making them the most economical choice available today for high-production part and stock handling.



PART NO. E400 - Complete