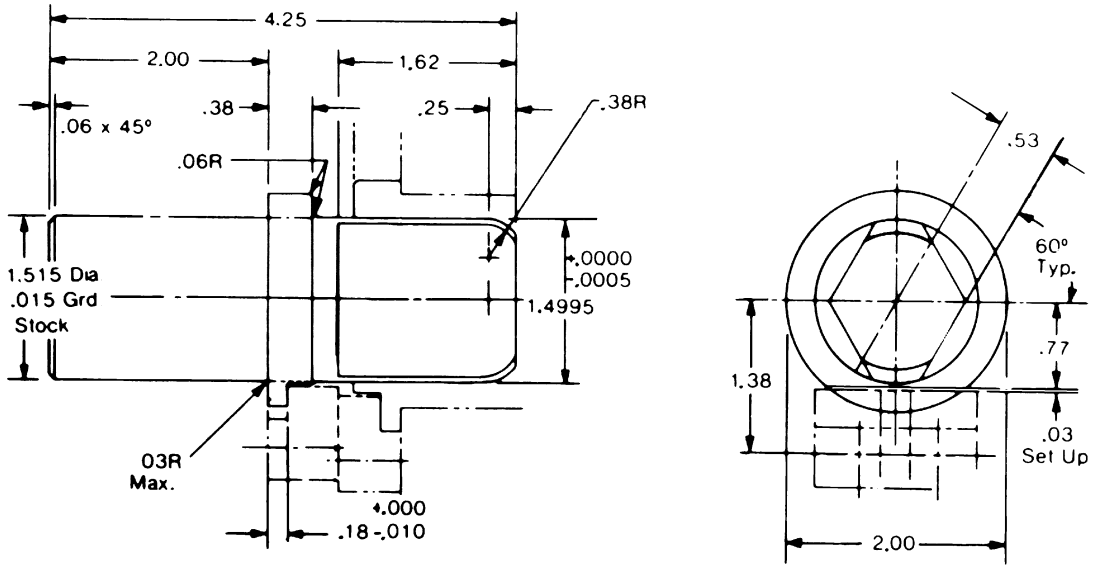


Register Pins

Click to download CAD files (STP format) 2dwg & 3dwg visit eandesp.com

CAD File Name E325

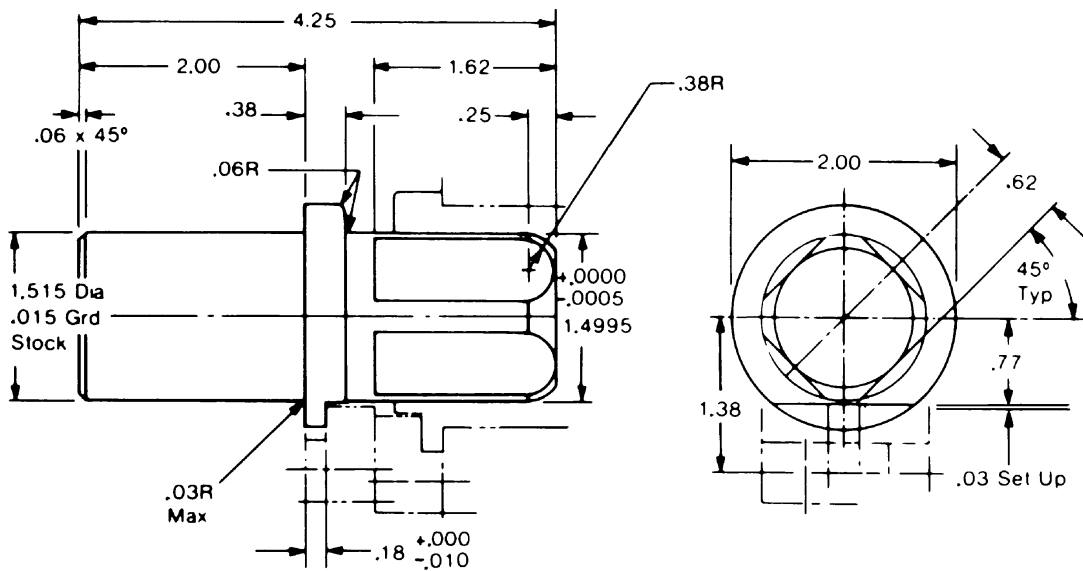
Part No. E-325



NOTE: For Use With E&E Bushing Clamp E036.

CAD File Name E326

Part No. E-326



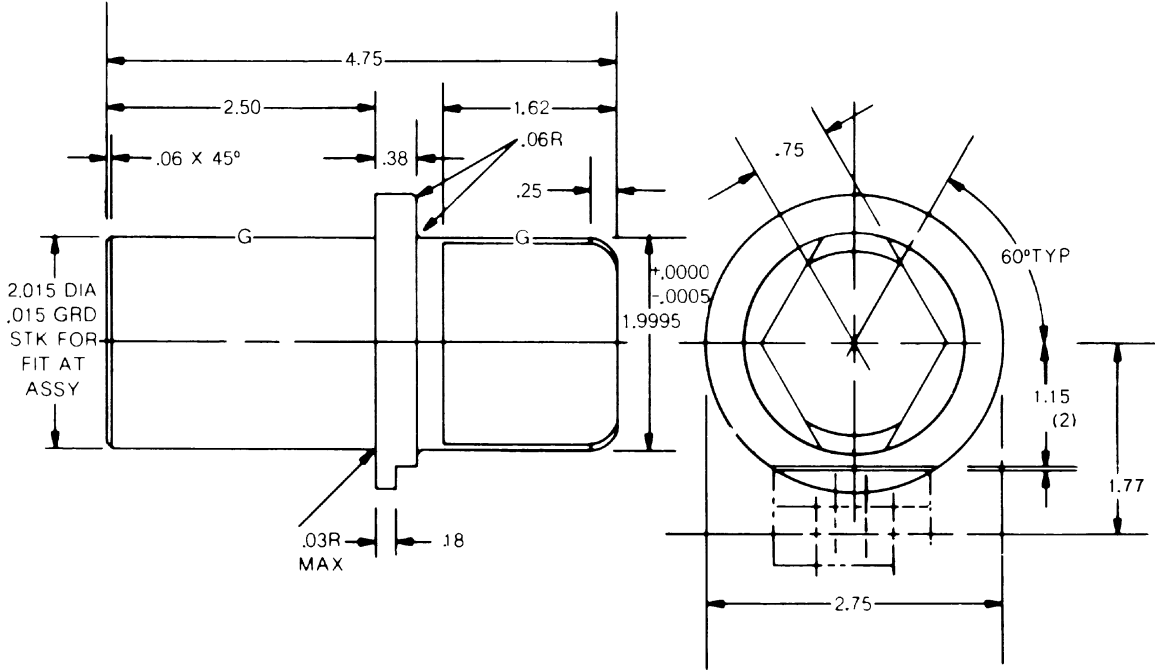
NOTE: For Use With E&E Bushing Clamp E036.

Register Pins

Click to download CAD file (STP format). 2dwg & 3dwg visit eandesp.com

CAD File Name E329

Part No. E-329



CAD File Name E330

Part No. E-330

