

## Load Rating of Transfer Bar Guide Rollers

PART NUMBER	DYNAMIC LOAD	STATIC LOAD
E145	12,300 Lbs.	13,600
E853	12,300 Lbs.	13,600
E351	4,860 Lbs.	5,240
E353	7,770 Lbs.	8,000
E355	11,000 Lbs.	11,300
E357	12,300 Lbs.	13,600
E359	12,300 Lbs.	13,600

### Special Transfer Bar Guide Rolls

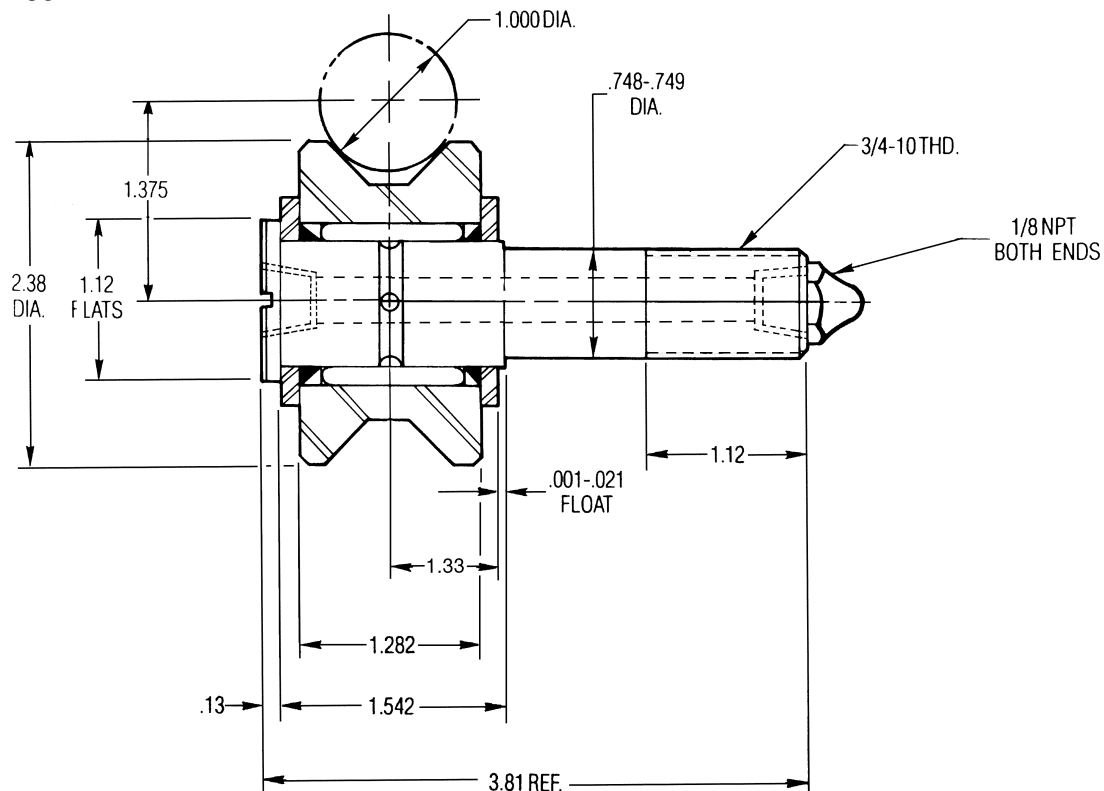
If our standard Transfer Bar Guide Rolls don't meet your needs, we can provide custom rolls to your specifications. Send us your print or a sketch with a request for quotation. If you need engineering or technical assistance, please call us directly.

## VEE Transfer Bar Guide Roll

Click to download CAD file (STP format) 2dwg & 3dwg visit eandesp.com

**CAD File Name E351**

**Part No. E351**



CAD Directory  
Mach-Tool\TransBar

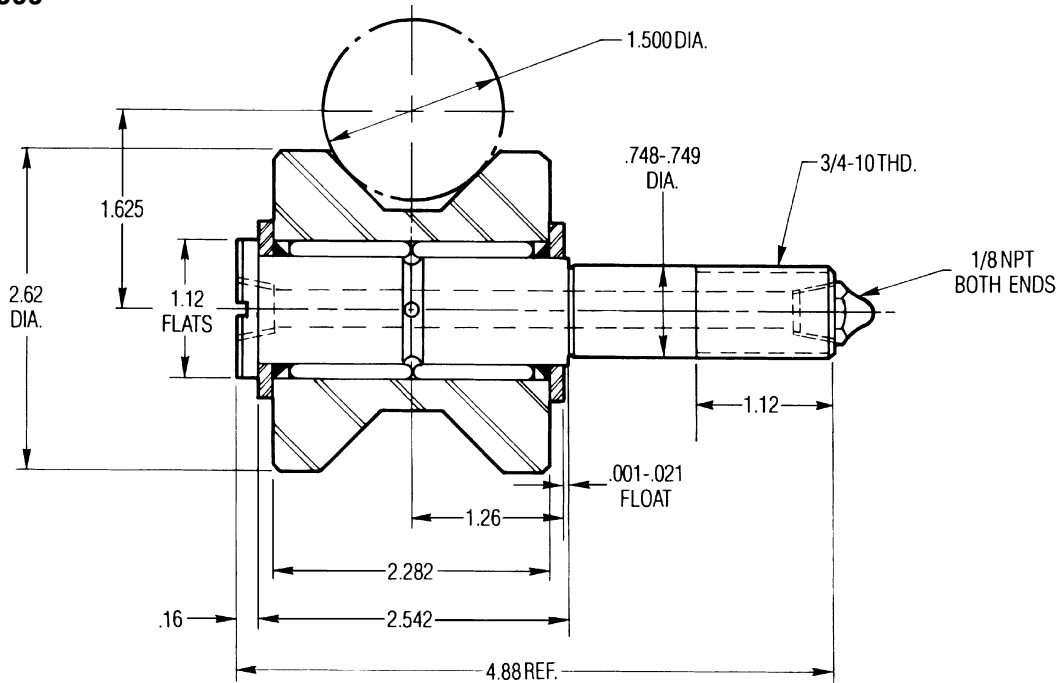
# VEE Transfer Bar Guide Rolls



Click to download CAD files (STP format). 2dwg & 3dwg visit eandesp.com

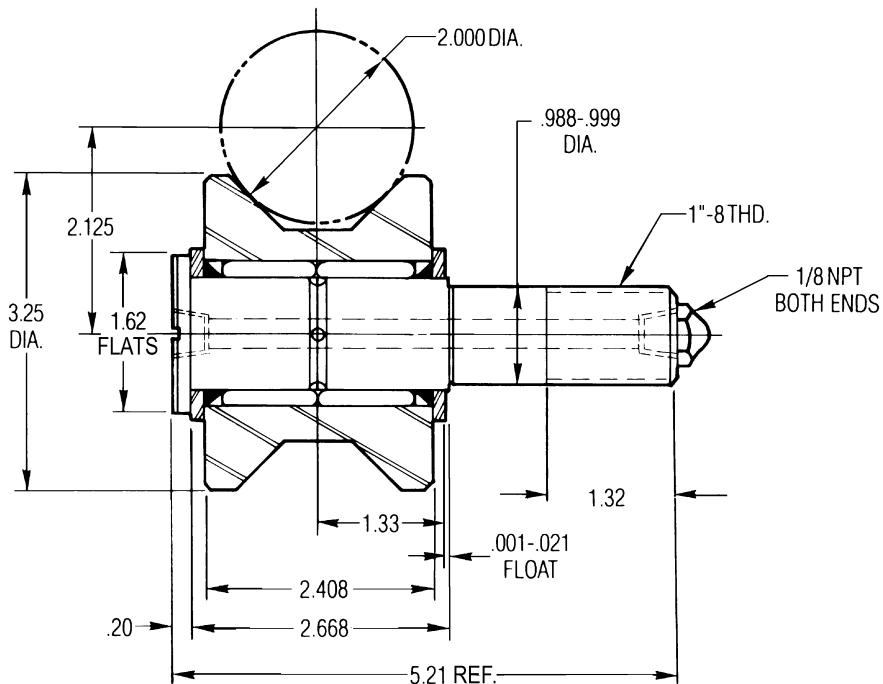
**CAD File Name E353**

**Part No. E353**



**CAD File Name E355**

**Part No. E355**



CAD Directory  
Mach-Tool\TransBar

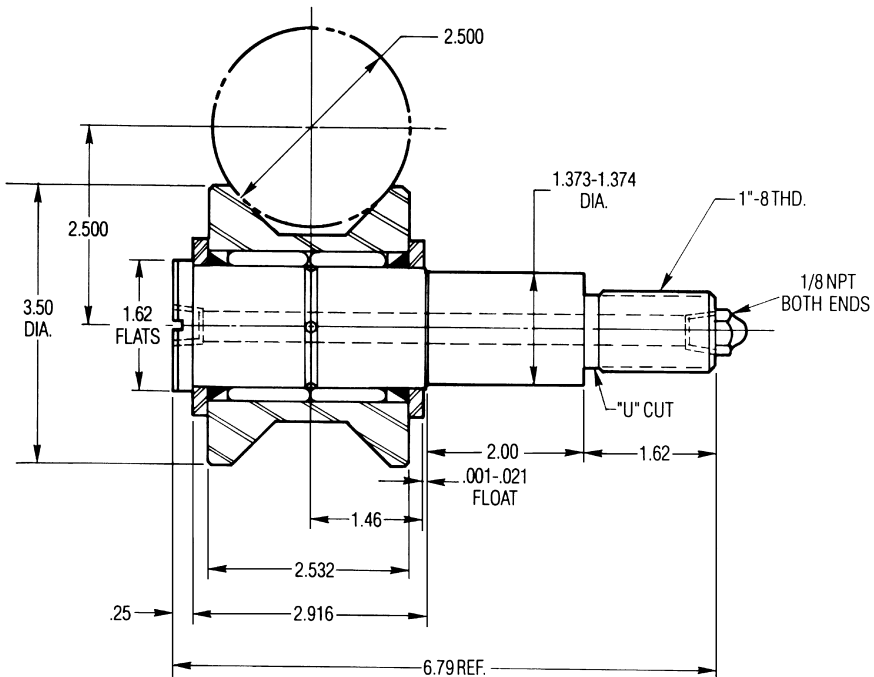


# VEE Transfer Bar Guide Rolls

Click to download CAD file (STP format), 2dwg & 3dwg visit eandesp.com

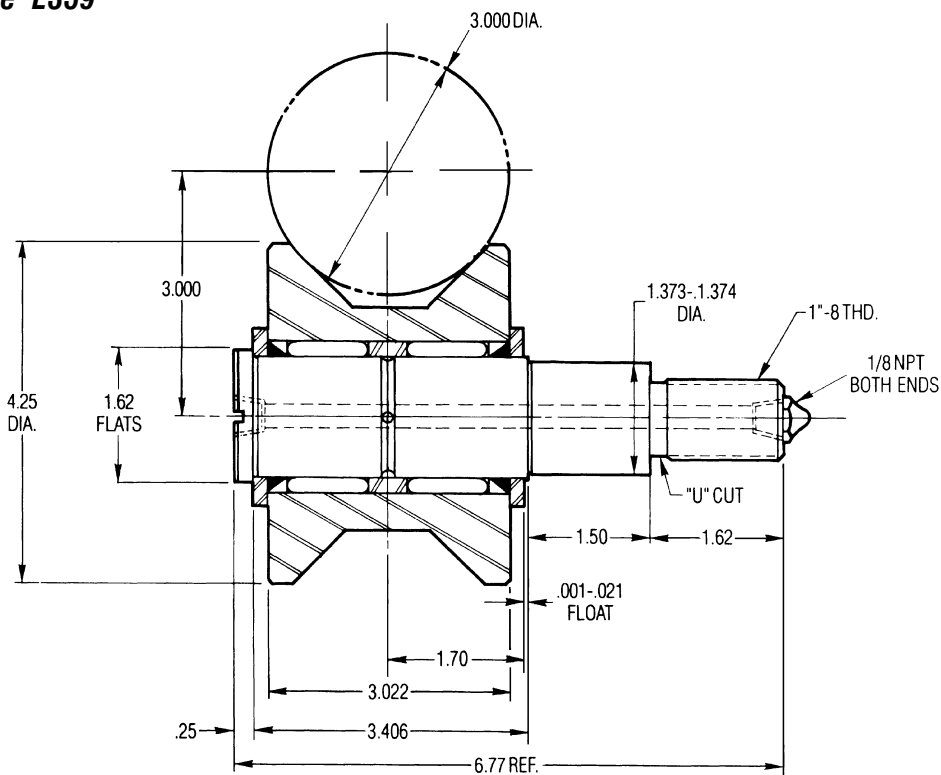
**CAD File Name E357**

**Part No. E357**



**CAD File Name E359**

**Part No. E359**



CAD Directory  
Mach-Tool\TransBar

Machine Tool Components

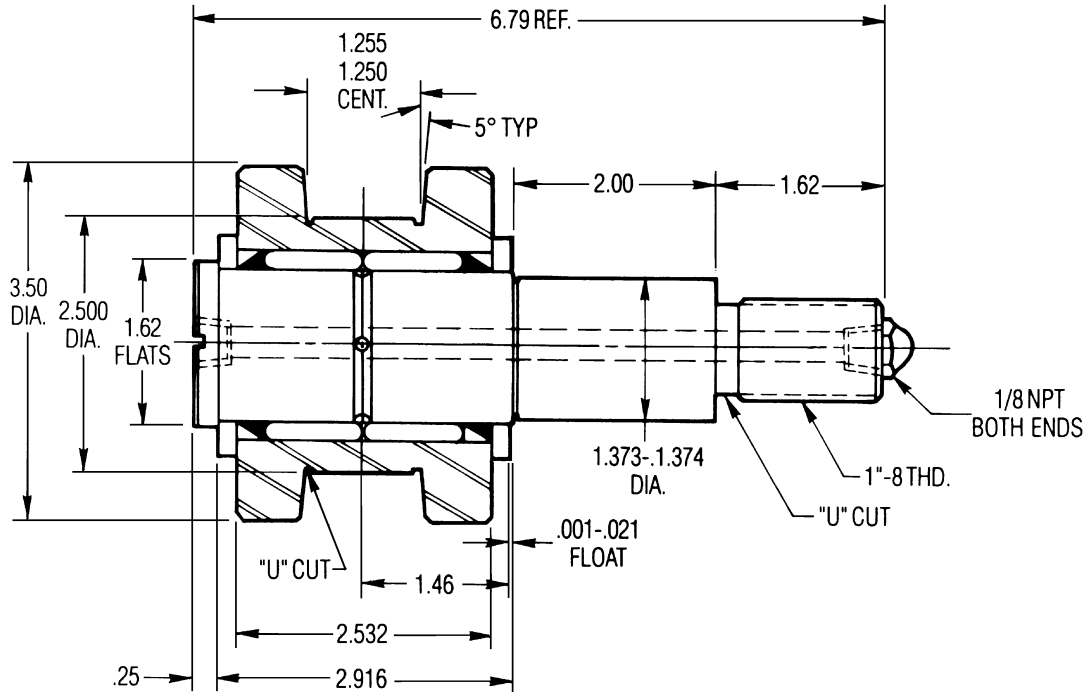
# Square Transfer Bar Guide Rolls



Click to download CAD file (STP format) 2dwg & 3dwg visit eandesp.com

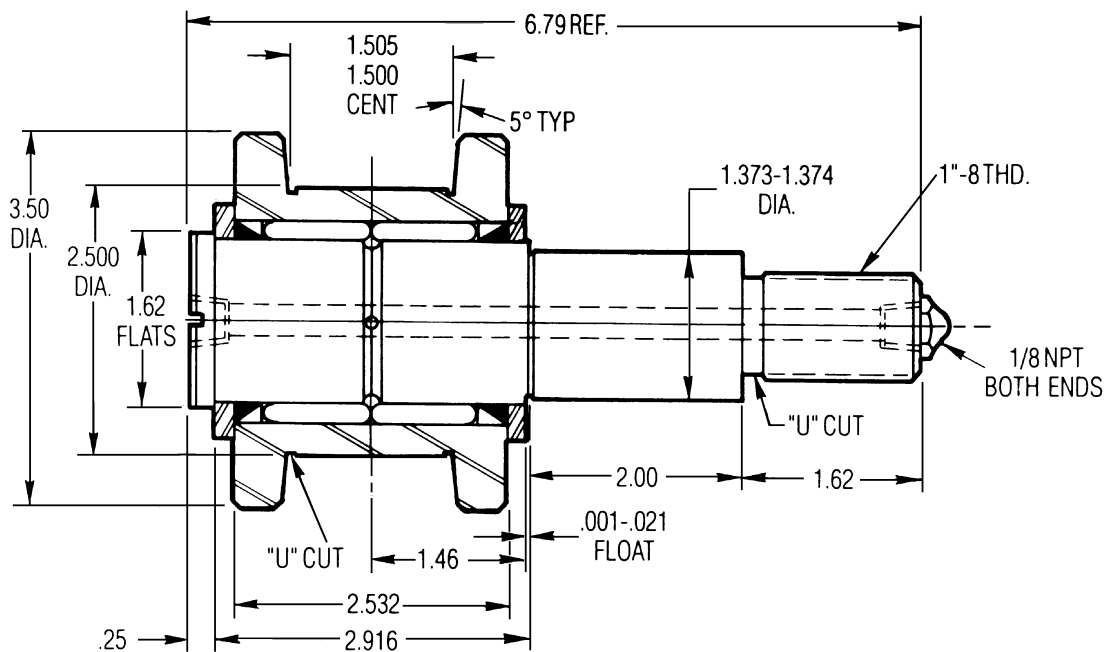
**CAD File Name E145**

**Part No. E145 (bar size 1.250)**



**CAD File Name E853**

**Part No. E853 (bar size 1.500)**



CAD Directory  
Mach-Tool\TransBar

## Load Rating of Transfer Bar Guide Rollers

PART NUMBER	DYNAMIC LOAD	STATIC LOAD
E351R	4,860 Lbs.	5,240
E353R	7,770 Lbs.	8,000
E355R	11,000 Lbs.	11,300
E357R	12,300 Lbs.	13,600
E359R	12,300 Lbs.	13,600

### Special Transfer Bar Guide Rolls

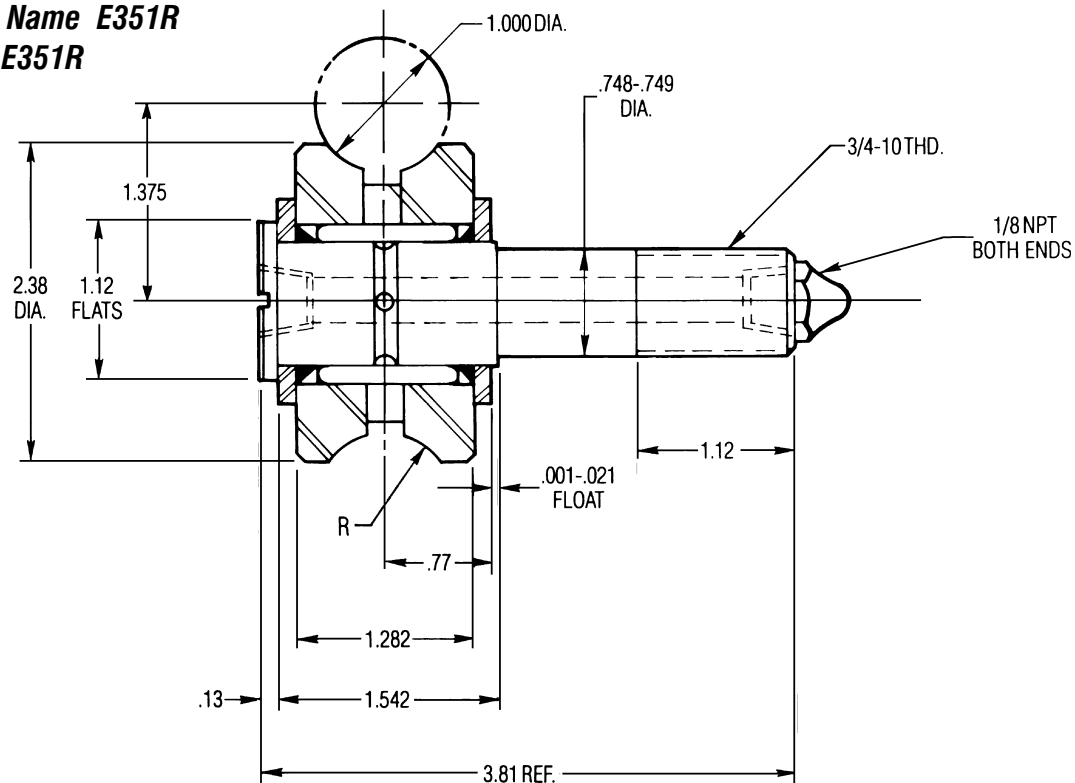
If our standard Transfer Bar Guide Rolls don't meet your needs, we can provide custom rolls to your specifications. Send us your print or a sketch with a request for quotation. If you need engineering or technical assistance, please call us directly.

## Radius Transfer Bar Guide Roll

Click to download CAD file (STP format) 2dwg & 3 dwg visit eandesp.com

**CAD File Name E351R**

**Part No. E351R**



CAD Directory  
Mach-Tool\TransBar

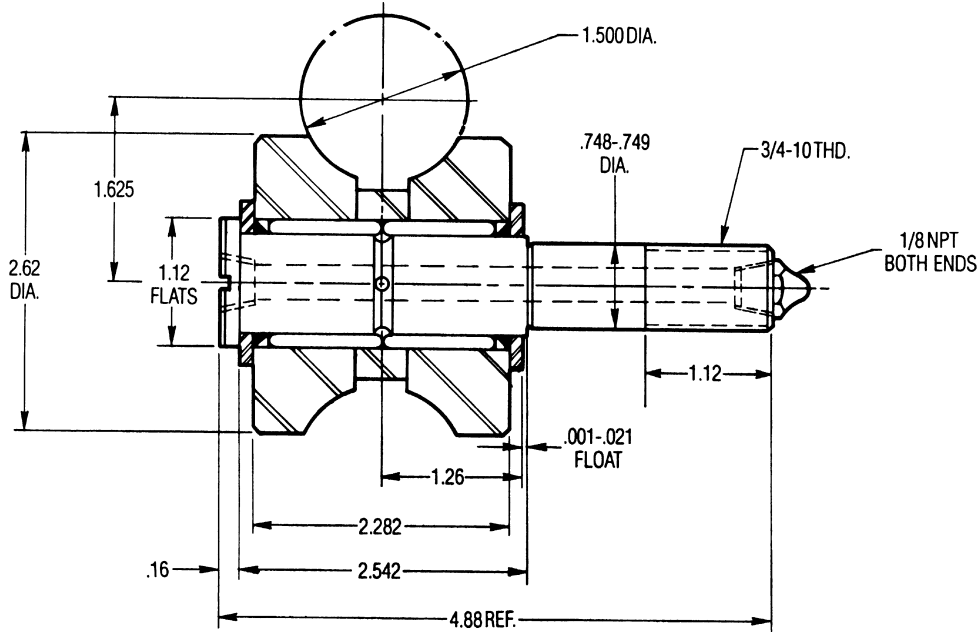


# Radius Transfer Bar Guide Rolls

Click to download CAD file (STP format) 2dwg & 3dwg visit eandesp.com

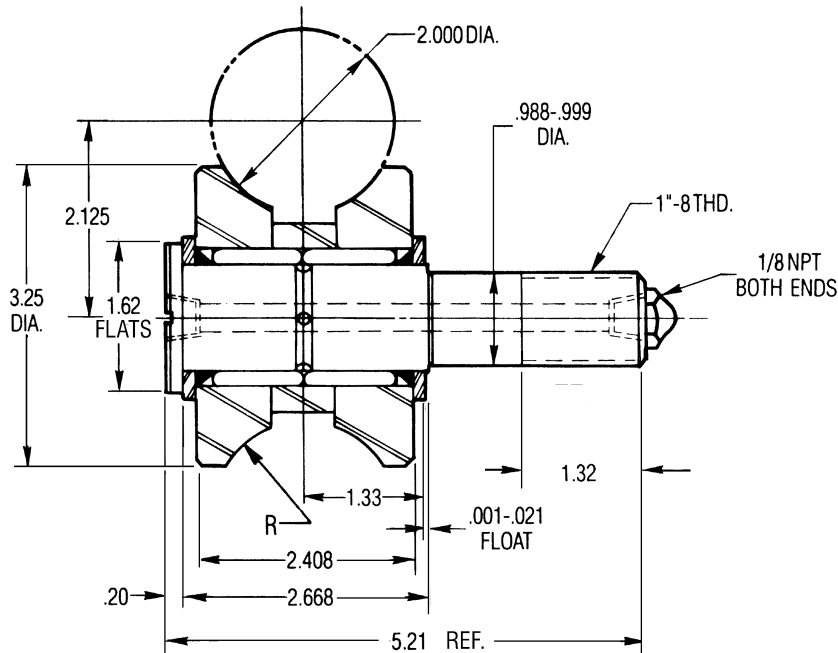
**CAD File Name E353R**

**Part No. E353R**



**CAD File Name E355R**

**Part No. E355R**

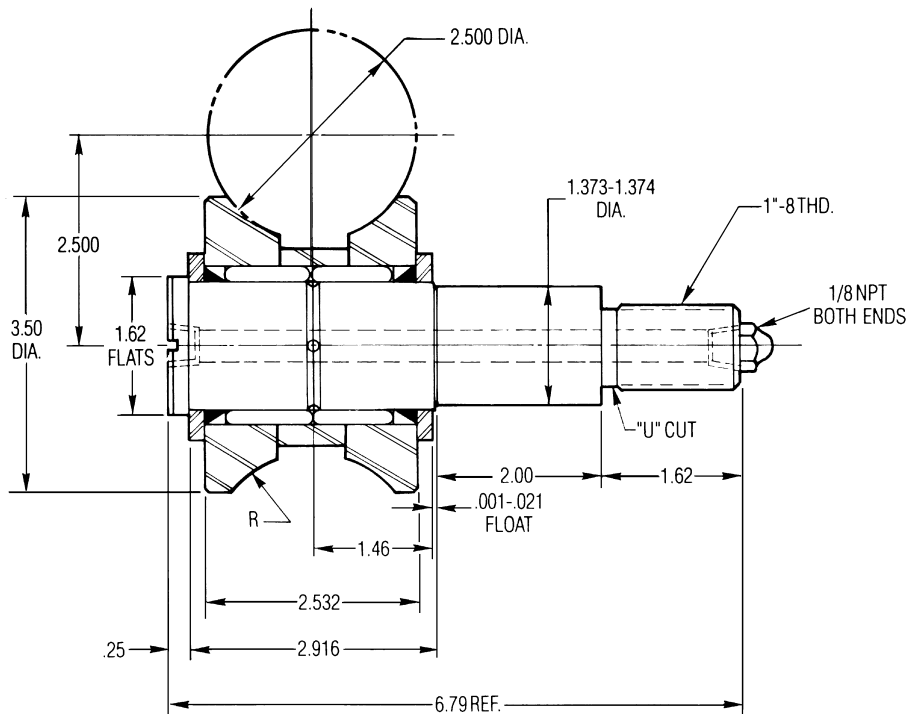


# Radius Transfer Bar Guide Rolls

Click to download CAD File (STP Format) 2dwg & 3dwg visit eandesp.com.

**CAD File Name E357R**

**Part No. E357R**



**CAD File Name E359R**

**Part No. E359R**

