

Locating & Positioning Blocks

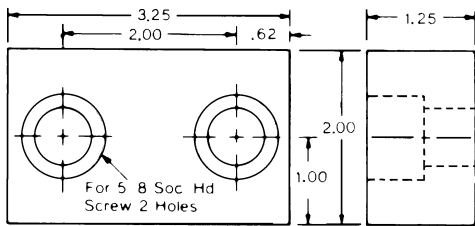


E&ESP

Click to download CAD File (STP Format) 2dwg & 3dwg visit eandesp.com

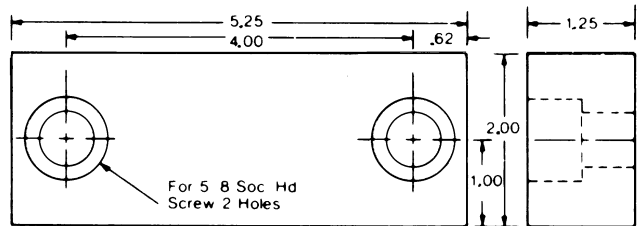
CAD File Name E049

Part No. E049



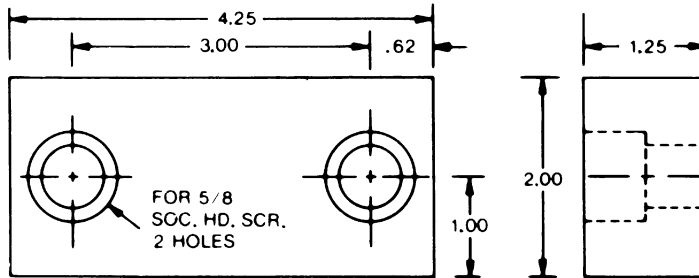
CAD File Name E050

Part No. E050



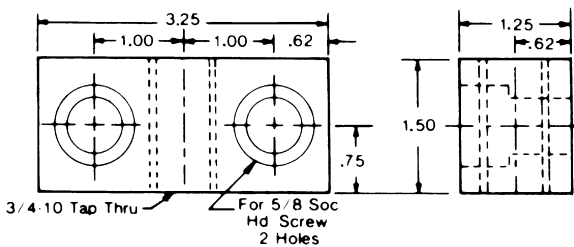
CAD File Name E051

Part No. E051



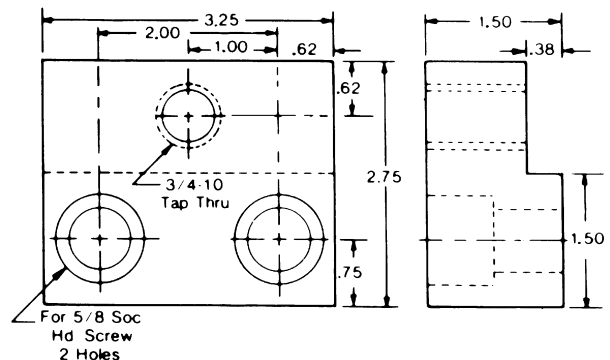
CAD File Name E052

Part No. E052



CAD File Name E053

Part No. E053



CAD Directory
Mach-Tool\LocBlk