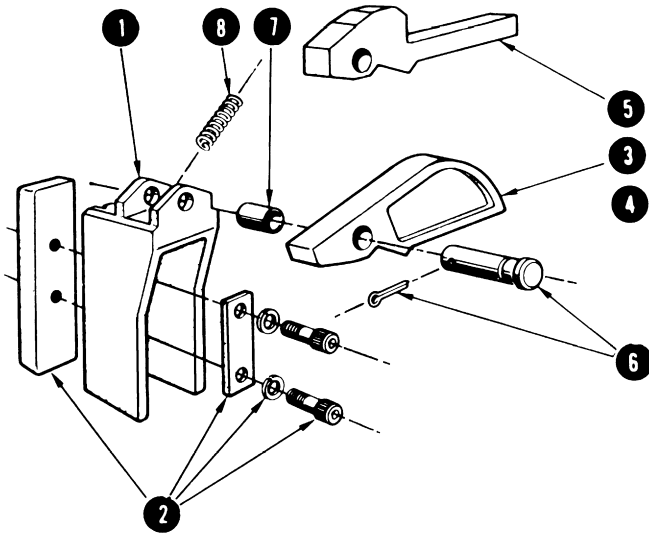
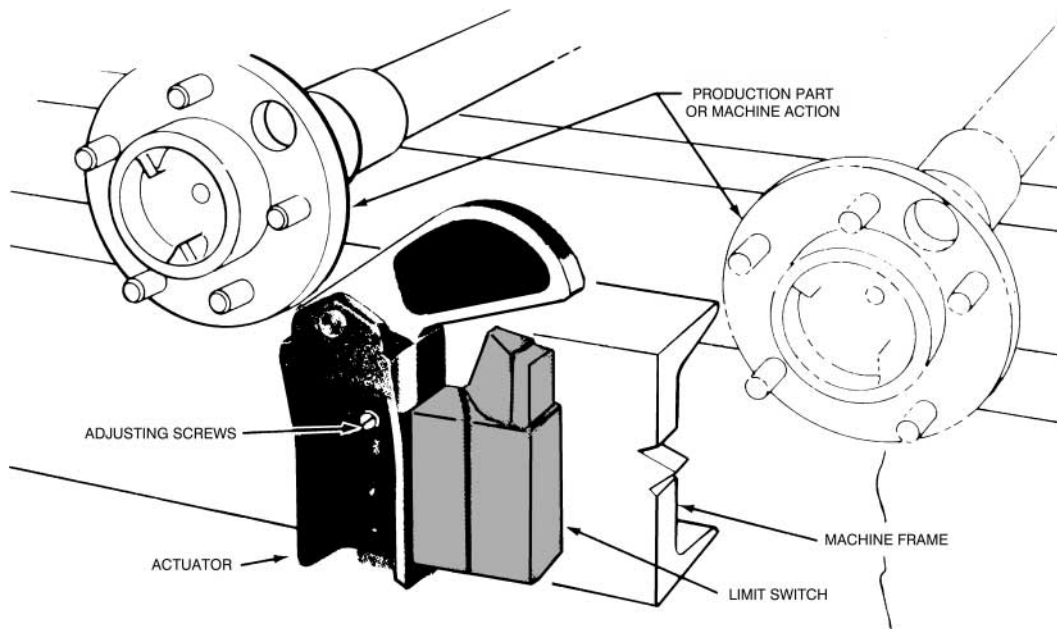


# Actuator Parts



ITEM	PART NUMBER	DESCRIPTION
1	A5	BODY CASTING
2	A6	MOUNTING PLATE ASSEMBLY
3	50/51	15° ARM
4	59/60	30° ARM
5	53/54	SPECIAL ARM
6	A7	HEAVY DUTY HARDENED PIN ASSEMBLY
7	P-50-6	BUSHING
8	9-0808-11 (REG. 6#)	SPRING-FOR MODELS A-50, A-51, A-53 AND A-54
	9-0808-21 (H.D. 16#)	

## Typical Application



# Limit Switch Actuators

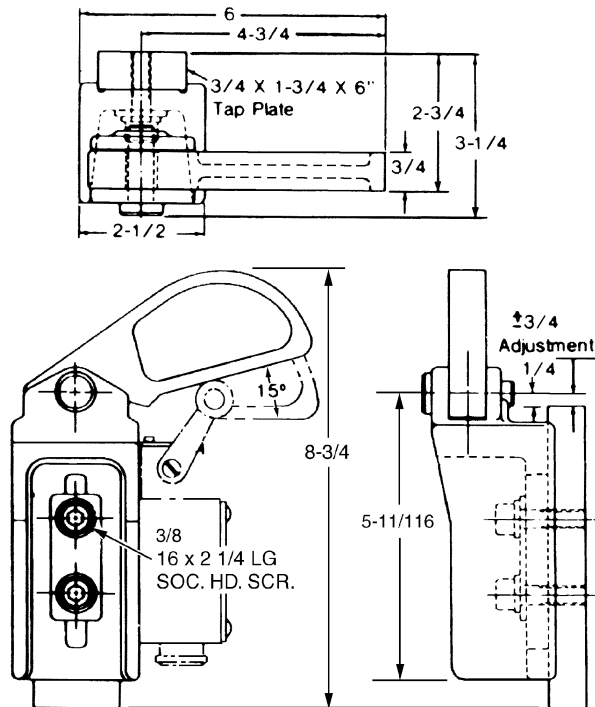


E&ESP

Click to download CAD Files (STP Format) 2dwg & 3dwg visit eandesp.com

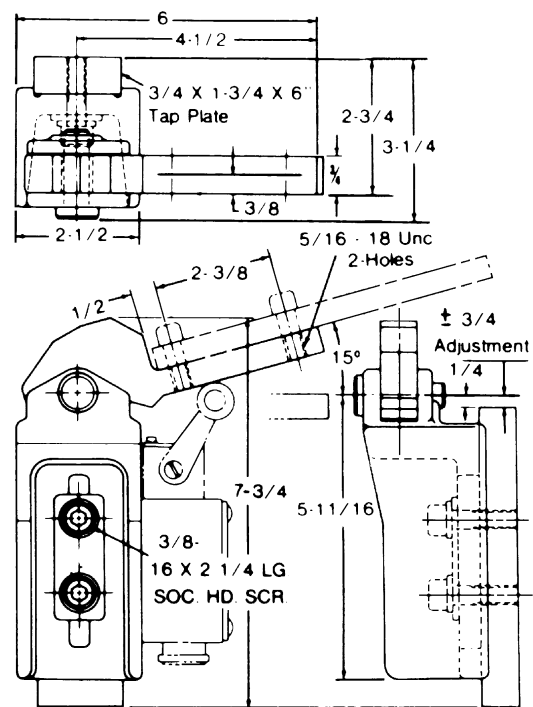
**CAD File Name A-50, A-51**

**Part No. A50 R.H. (shown), A51 L.H.**



**CAD File Name A-53, A-54**

**Part No. A53 R.H. (shown), A54 L.H.**



These actuators are stocked less mounting holes.

They accommodate most of the popular standard and plug-in machine tool or heavy duty limit switches.

## SPECIAL ORDERS FOR LIMIT SWITCH MOUNTING HOLES

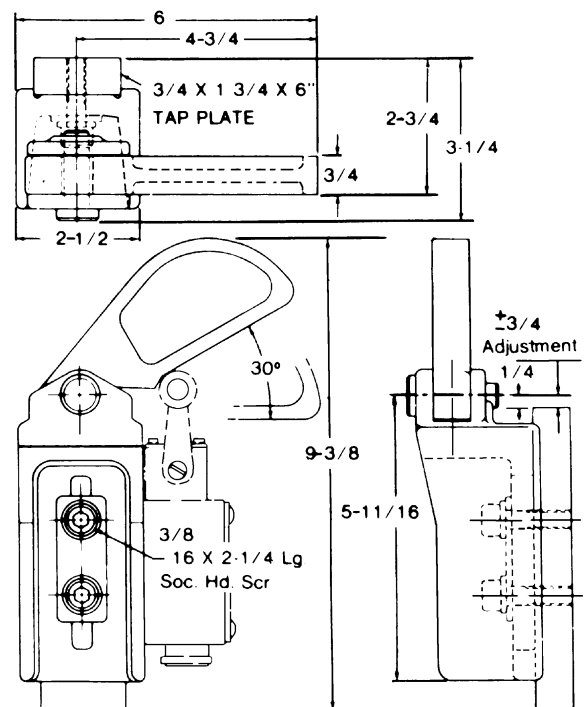
When ordering limit switch with mounting holes in actuator, the following descriptive limit switch information is required:

Make (Trade Name) . . . . Allen-Bradley  
 Model or Type . . . . . 802T-A1P  
 Series . . . . . C

Heat Treated Arms up to (Rc 56-58) Available.

**CAD File Name A-59, A-60**

**Part No. A59 R.H. (shown), A60 L.H.**



CAD Directory  
 Mach-Tool\SwitchAct

Machine Tool Components