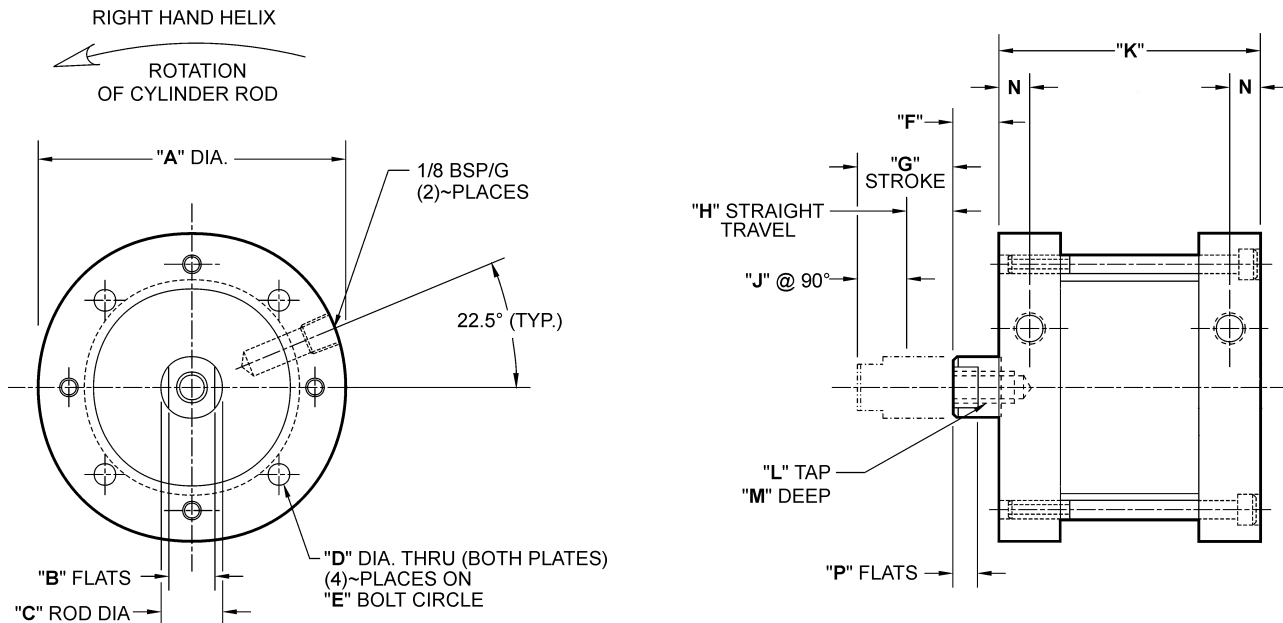




Metric Low Profile Rota-Shaft



Metric

Click to download CAD Files (STP Format) 2dwg & 3dwg visit eandesp.com

CAD FILE NAME	PART NUMBER	DIMENSIONS													
		A	B	C	D	E	F	G	H	J	K	L	M	N	P
EM2063	EM2063-(R/L)	100.0	15.0	20.0	7.0	85.0	15.0	35.0	15.0	20.0 @ 90°	95.0	M10 x 1.5	20.0	10.0	8.0
EM2580	EM2580-(R/L)	120.0	20.0	25.0	9.0	105.0	20.0	40.0	15.0	25.0 @ 90°	100.0	M16 x 2.0	32.0	10.0	8.0

MAX OPERATING PRESSURE = 7 bars