

# Metric Round Molded Bumpers

Click to download CAD File (STP Format) 2dwg & 3dwg visit eandesp.com

FEMALE THREADS						
CAD FILE NAME	NEOPRENE BUMPER No.	URETHANE BUMPER No.	A DIA.	B HEIGHT	C	FEMALE THREAD
EM516	EMRB-5166	EMRB-5166-80UR	19MM	16MM	9MM	M6 x 1.0 x 7MM
	EMRB-5168	EMRB-5168-80UR	19MM	16MM	9MM	M8 x 1.25 x 7MM
EM3-8	EMRB-3	EMRB-3UR	32MM	32MM	19MM	M10 x 1.5 x 13MM
	EMRB-4	EMRB-4UR	32MM	32MM	19MM	M10 x 1.25 x 13MM
	EMRB-5	EMRB-5UR	32MM	32MM	19MM	M12 x 1.75 x 13MM
	EMRB-6	EMRB-6UR	32MM	32MM	19MM	M12 x 1.25 x 13MM
	EMRB-8	EMRB-8UR	32MM	32MM	19MM	M16 x 2.0 x 13MM
EM9	EMRB-9	EMRB-9UR	45MM	42MM	22.5MM	M16 x 2.0 x 16MM
EM12-14	EMRB-12	EMRB-12UR	57MM	57MM	35MM	M20 x 2.5 x 25MM
	EMRB-14	EMRB-14UR	57MM	57MM	35MM	M24 x 3.0 x 25MM

Materials: Neoprene 40-45 Durometer  
Urethane 80-90 Durometer

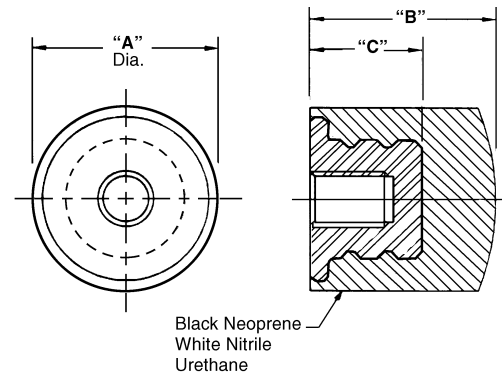
**NOTE: Standard ERB-516** Neoprene bumpers - 70 Durometer

MALE THREADS						
CAD FILE NAME	NEOPRENE BUMPER No.	URETHANE BUMPER No.	A DIA.	B HEIGHT	C	MALE THREAD
EM516-6	EMRB-5166 x 15	EMRB-5166UR x 15	19MM	16MM	3.2MM	M6 x 1.0 x 15MM
	EMRB-5166 x 30	EMRB-5166UR x 30	19MM	16MM	3.2MM	M6 x 1.0 x 30MM
EM516-8	EMRB-5168 x 15	EMRB-5168UR x 15	19MM	16MM	4MM	M8 x 1.25 x 15MM
	EMRB-5168 x 30	EMRB-5168UR x 30	19MM	16MM	4MM	M8 x 1.25 x 30MM
EM3-10	EMRB-3 x 15	EMRB-3UR x 15	32MM	32MM	19MM	M10 x 1.5 x 15MM
	EMRB-3 x 30	EMRB-3UR x 30	32MM	32MM	19MM	M10 x 1.5 x 30MM
EM5-12	EMRB-5 x 15	EMRB-5UR x 15	32MM	32MM	19MM	M12 x 1.75 x 15MM
	EMRB-5 x 30	EMRB-5UR x 30	32MM	32MM	19MM	M12 x 1.75 x 30MM
EM8-16	EMRB-8 x 15	EMRB-8UR x 15	32MM	32MM	19MM	M16 x 2.0 x 15MM
	EMRB-8 x 30	EMRB-8UR x 30	32MM	32MM	19MM	M16 x 2.0 x 30MM
EM9-16	EMRB-9 x 15	EMRB-9UR x 15	45MM	42MM	22.5MM	M16 x 2.0 x 15MM
	EMRB-9 x 30	EMRB-9UR x 30	45MM	42MM	22.5MM	M16 x 2.0 x 30MM

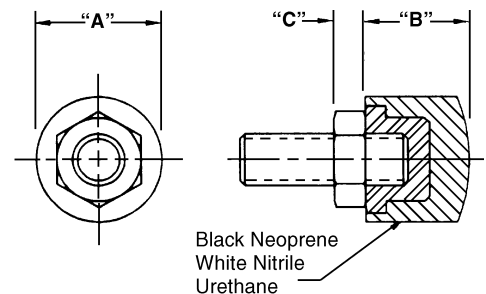
Materials: Neoprene 40-45 Durometer  
Urethane 80-90 Durometer

**NOTE: Standard ERB-516** Neoprene bumpers - 70 Durometer

## Molded Round Bumpers with Female Thread



## Molded Round Bumpers with Male Thread and Hex Shoulder EMRB 516 SERIES



## Molded Round Bumpers with Male Thread

