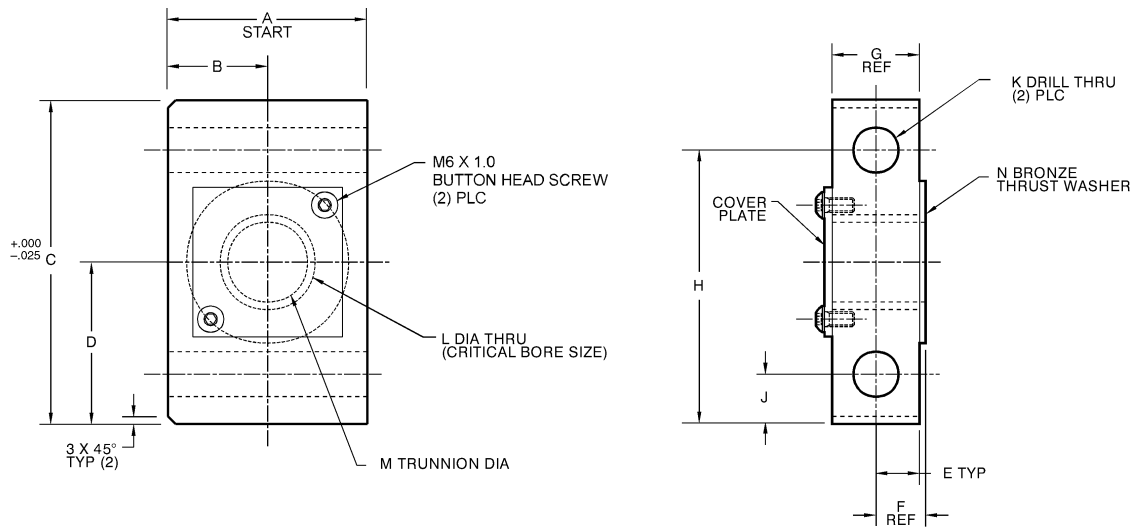


Metric Trunnion Block



Click to download CAD File (STP Format) 2dwg & 3dwg visit eandesp.com

All dimensions are in mm

CAD FILE NAME	PART NUMBER	A	B	C	D	E	F	G	H	J	K	L	M	N
E-4721T	E-4721	67	35	80	40.0	10.0	12.5	20.0	70	10	9	22.013/22.000	12	12 ID x 35 OD
E-4722T	E-4722	67	35	80	40.0	10.0	12.5	20.0	70	10	9	22.013/22.000	16	16 ID x 40 OD
E-4722AT	E-4722-A	67	35	80	40.0	10.0	12.5	20.0	70	10	9	25.013/25.000	18	18 ID x 45 OD
E-4723T	E-4723	67	35	80	40.0	10.0	12.5	20.0	70	10	11	30.013/30.000	20	20 ID x 45 OD
E-4724T	E-4724	67	35	100	50.0	12.5	15.0	25.0	85	15	14	35.013/35.000	25	25 ID x 50 OD
E-4725T	E-4725	80	40	130	65.0	17.5	20.0	35.0	110	20	18	38.013/38.000	32	32 ID x 60 OD
E-4725AT	E-4725-A	80	40	130	65.0	17.5	20.0	35.0	110	20	18	41.275/41.262	36	36 ID x 60 OD
E-4726T	E-4726	80	40	130	65.0	17.5	20.0	35.0	110	20	18	50.025/50.000	40	40 ID x 65 OD
E-4727T	E-4727	106	55	175	87.5	25.0	27.5	50.0	150	25	26	60.025/60.000	50	50 ID x 75 OD
E-4728T	E-4728	106	55	175	87.5	25.0	27.5	50.0	150	25	26	73.025/73.000	63	63 ID x 82.5 OD
E-4729T	E-4729-A	145	75	265	132.5	32.5	35.0	65.0	230	35	33	90.025/90.000	56	80 ID x 105 OD
E-4729T	E-4729	145	75	265	132.5	32.5	35.0	65.0	230	35	33	90.025/90.000	80	80 ID x 105 OD
E-4729T	E-4729-B	145	75	265	132.5	32.5	35.0	65.0	230	35	33	90.025/90.000	67	80 ID x 105 OD
E-4730T	E-4730	145	75	265	132.5	40.0	42.5	80.0	225	40	39	100.025/100.000	100	100 ID x 125 OD

NOTE:

Trunnions are provided with Dixon CJ Bearings, a non-metallic bearing that excels under high loads and provides dry lubrication with high reliability.