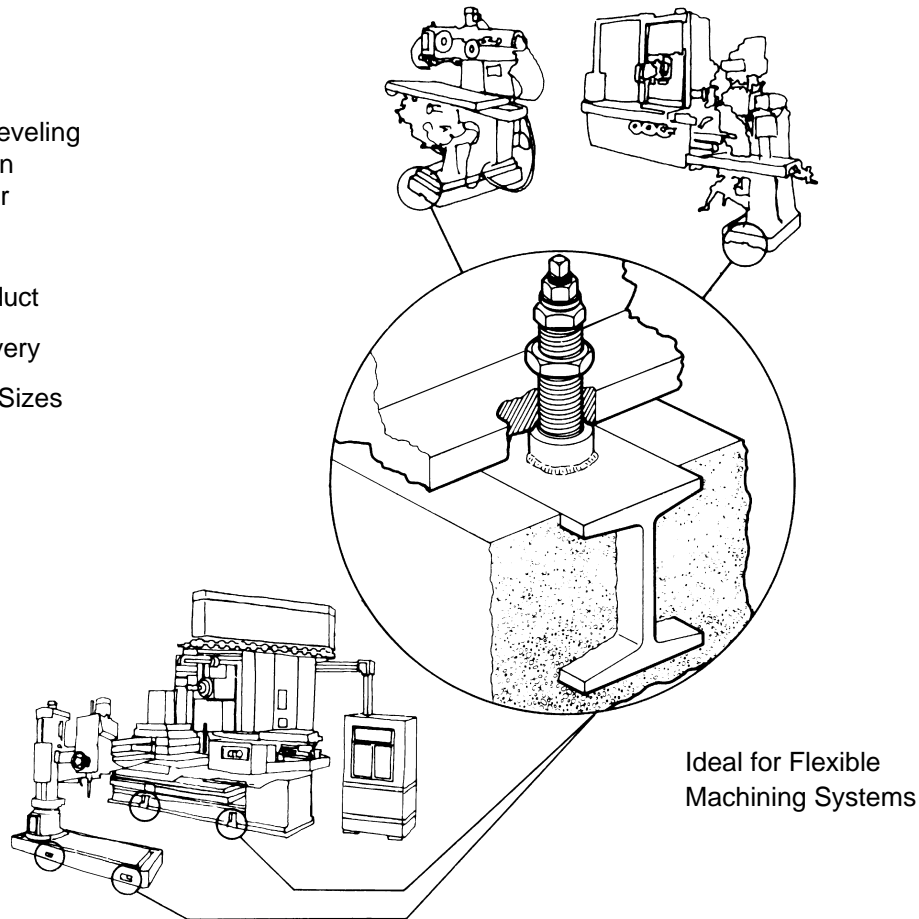


# Metric Leveling Jacks

## Features:

- Single Point Leveling and Hold Down through Center
- Adjustable
- Standard Product
- Off-Shelf Delivery
- Full Range of Sizes



## Coaxial Leveling and Anchoring for:

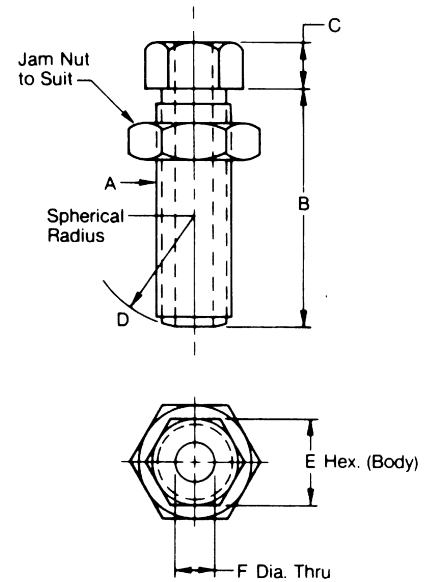
- Mills
- Lathes
- Transfer Lines
- Machining Center
- Boring Mills
- Grinders
- Broaches
- Fixtures
- Screw Machines
- Assembly Machines
- Stamping Presses
- Drill Presses



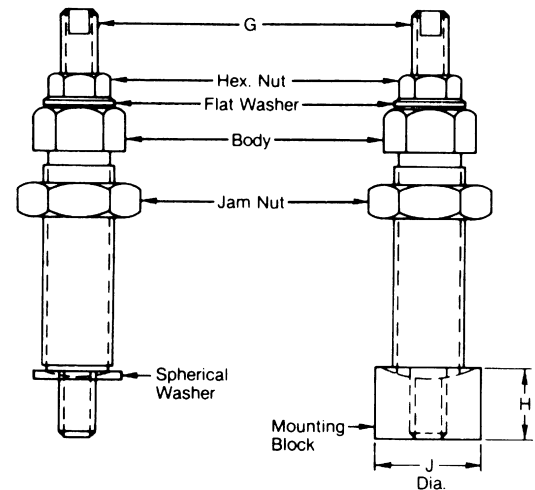
# Metric Leveling Jacks

Click to download CAD File (STP Format) 2dwg & 3dwg visit [eandesp.com](http://eandesp.com)

| CAD FILE NAME | PART NUMBER | DESCRIPTION           | A         | B   | C  | D  | E    | F    |
|---------------|-------------|-----------------------|-----------|-----|----|----|------|------|
| 2050          | EMLJ-2050-F | BODY AND JAM NUT ONLY | M20 x 1.5 | 50  | 13 | 38 | 28.6 | 10.3 |
| 2050          | EMLJ-2050-C |                       | M20 x 2.5 | 50  | 13 | 38 | 28.6 | 10.3 |
| 2475          | EMLJ-2475-F |                       | M24 x 2   | 75  | 16 | 38 | 28.6 | 14.2 |
| 2475          | EMLJ-2475-C |                       | M24 x 3   | 75  | 16 | 38 | 28.6 | 14.2 |
| 3010          | EMLJ-3010-F |                       | M30 x 2   | 100 | 16 | 38 | 41.3 | 14.2 |
| 3010          | EMLJ-3010-C |                       | M30 x 3.5 | 100 | 16 | 38 | 41.3 | 14.2 |
| 3015          | EMLJ-3015-F |                       | M30 x 2   | 150 | 16 | 38 | 41.3 | 14.2 |
| 3015          | EMLJ-3015-C |                       | M30 x 3.5 | 150 | 16 | 38 | 41.3 | 14.2 |
| 3610          | EMLJ-3610-F |                       | M36 x 3   | 100 | 16 | 57 | 41.3 | 22.2 |
| 3610          | EMLJ-3610-C |                       | M36 x 4   | 100 | 16 | 57 | 41.3 | 22.2 |
| 3615          | EMLJ-3615-F |                       | M36 x 3   | 150 | 16 | 57 | 41.3 | 22.2 |
| 3615          | EMLJ-3615-C |                       | M36 x 4   | 150 | 16 | 57 | 41.3 | 22.2 |
| 3910          | EMLJ-3910-F |                       | M39 x 3   | 100 | 16 | 57 | 41.3 | 22.2 |
| 3910          | EMLJ-3910-C |                       | M39 x 4   | 100 | 16 | 57 | 41.3 | 22.2 |
| 3915          | EMLJ-3915-F |                       | M39 x 3   | 150 | 16 | 57 | 41.3 | 22.2 |
| 3915          | EMLJ-3915-C |                       | M39 x 4   | 150 | 16 | 57 | 41.3 | 22.2 |



| CAD FILE NAME | PART NUMBER  | DESCRIPTION  | G                |
|---------------|--------------|--|------------------|
| 2050A         | EMLJ-2050-FA | BODY JAM NUT STUD HEX NUT FLAT WASHER SPHERICAL WASHER | M8 x 1.25 x 100  |
| 2050A         | EMLJ-2050-CA |  | M8 x 1.25 x 100  |
| 2475A         | EMLJ-2475-FA |  | M12 x 1.75 x 140 |
| 2475A         | EMLJ-2475-CA |  | M12 x 1.75 x 140 |
| 3010A         | EMLJ-3010-FA |  | M12 x 1.75 x 180 |
| 3010A         | EMLJ-3010-CA |  | M12 x 1.75 x 180 |
| 3015A         | EMLJ-3015-FA |  | M12 x 1.75 x 230 |
| 3015A         | EMLJ-3015-CA |  | M12 x 1.75 x 230 |
| 3610A         | EMLJ-3610-FA |  | M20 x 2.5 x 180  |
| 3610A         | EMLJ-3610-CA |  | M20 x 2.5 x 180  |
| 3615A         | EMLJ-3615-FA |  | M20 x 2.5 x 230  |
| 3615A         | EMLJ-3615-CA |  | M20 x 2.5 x 230  |
| 3910A         | EMLJ-3910-FA |  | M20 x 2.5 x 180  |
| 3910A         | EMLJ-3910-CA |  | M20 x 2.5 x 180  |
| 3915A         | EMLJ-3915-FA |  | M20 x 2.5 x 230  |
| 3915A         | EMLJ-3915-CA |  | M20 x 2.5 x 230  |



| CAD FILE NAME | PART NUMBER   | DESCRIPTION  | H    | J    |
|---------------|---------------|--|------|------|
| 2050AM        | EMLJ-2050-FAM | BODY JAM NUT STUD HEX NUT FLAT WASHER MOUNTING BLOCK | 19   | 38   |
| 2050AM        | EMLJ-2050-CAM |  | 19   | 38   |
| 2475AM        | EMLJ-2475-FAM |  | 25.4 | 38   |
| 2475AM        | EMLJ-2475-CAM |  | 25.4 | 38   |
| 3010AM        | EMLJ-3010-FAM |  | 31.8 | 63.5 |
| 3010AM        | EMLJ-3010-CAM |  | 31.8 | 63.5 |
| 3015AM        | EMLJ-3015-FAM |  | 31.8 | 63.5 |
| 3015AM        | EMLJ-3015-CAM |  | 31.8 | 63.5 |
| 3610AM        | EMLJ-3610-FAM |  | 31.8 | 63.5 |
| 3610AM        | EMLJ-3610-CAM |  | 31.8 | 63.5 |
| 3615AM        | EMLJ-3615-FAM |  | 31.8 | 63.5 |
| 3615AM        | EMLJ-3615-CAM |  | 31.8 | 63.5 |
| 3910AM        | EMLJ-3910-FAM |  | 31.8 | 63.5 |
| 3910AM        | EMLJ-3910-CAM |  | 31.8 | 63.5 |
| 3915AM        | EMLJ-3915-FAM |  | 31.8 | 63.5 |
| 3915AM        | EMLJ-3915-CAM |  | 31.8 | 63.5 |