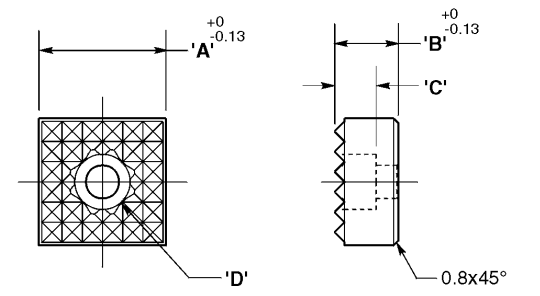
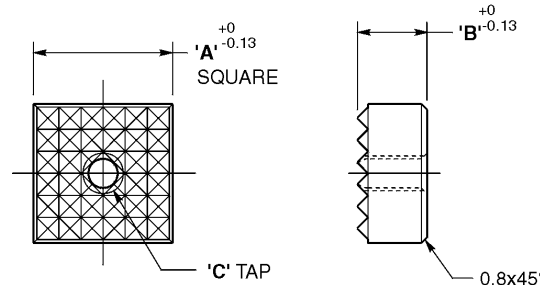
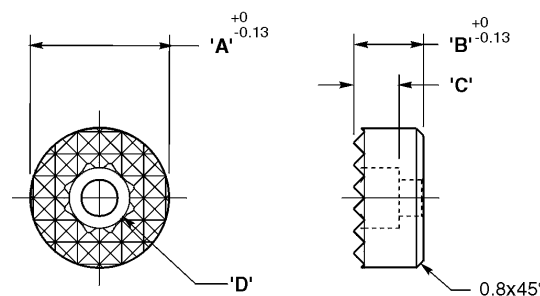
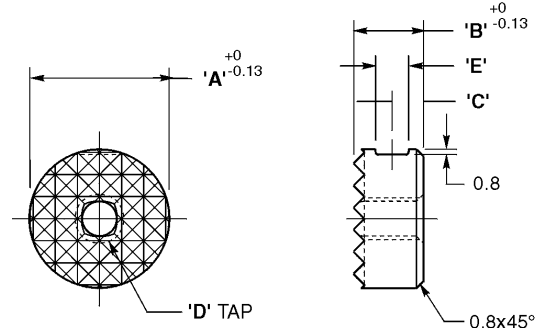
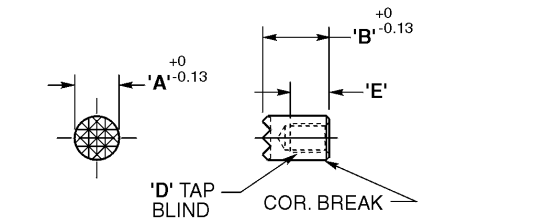


Metric Grippers "EMHS" High Speed Tool Steel



Click to download CAD File (STP Format) 2dwg & 3dwg visit eandesp.com

"EMHS" ROUND DESIGN							
CAD FILE NAME	PART NUMBER	A	B	C	D	E	TOOTH PATTERN
EMHS060	EMHS-060	6	10	-	M3 x 0.5	5	SUPER-FINE
	EMHS-062	6	12	-	M3 x 0.5	7	SUPER-FINE
EMHS080	EMHS-080	8	10	-	M4 x 0.7	5	SUPER-FINE
	EMHS-082	8	12	-	M4 x 0.7	7	SUPER-FINE
EMHS100	EMHS-100	10	10	4.5	M5 x 0.8	4.7	EX-FINE
	EMHS-102	10	12	6	M5 x 0.8	4.7	EX-FINE
EMHS120	EMHS-120	12	10	4.5	M5 x 0.8	4.7	FINE
	EMHS-122	12	12	6	M5 x 0.8	4.7	FINE
EMHS160	EMHS-160	16	10	4.5	M6 x 1.0	4.7	FINE
	EMHS-162	16	12	6	M6 x 1.0	4.7	FINE
EMHS200	EMHS-200	20	10	4.5	M6 x 1.0	4.7	FINE
	EMHS-202	20	12	6	M6 x 1.0	4.7	FINE
EMHS250	EMHS-250	25	10	4.5	M6 x 1.0	4.7	FINE
	EMHS-252	25	12	6	M6 x 1.0	4.7	FINE
"EMHS" ROUND DESIGN-C'BORE							
EMHS120C	EMHS-120-C	12	10	5.6	M4 SHCS	-	FINE
	EMHS-122-C	12	12	5.6	M4 SHCS	-	FINE
EMHS160C	EMHS-160-C	16	10	5.6	M4 SHCS	-	FINE
	EMHS-162-C	16	12	5.6	M4 SHCS	-	FINE
EMHS200C	EMHS-200-C	20	10	6.6	M5 SHCS	-	FINE
	EMHS-202-C	20	12	6.6	M5 SHCS	-	FINE
EMHS250C	EMHS-250-C	25	10	7.6	M6 SHCS	-	FINE
	EMHS-252-C	25	12	7.6	M6 SHCS	-	FINE



EMHS-SQUARE DESIGN					
CAD FILE NAME	PART NUMBER	A SQUARE	B	C	TOOTH PATTERN
EMHS9100	EMHS-9100	10	10	M5 x 0.8	EX-FINE
	EMHS-9102	10	12	M5 x 0.8	EX-FINE
EMHS9120	EMHS-9120	12	10	M5 x 0.8	FINE
	EMHS-9122	12	12	M5 x 0.8	FINE
EMHS9160	EMHS-9160	16	10	M6 x 1.0	FINE
	EMHS-9162	16	12	M6 x 1.0	FINE
EMHS9200	EMHS-9200	20	10	M5 x 0.8	FINE
	EMHS-9202	20	12	M5 x 0.8	FINE
EMHS9250	EMHS-9250	25	10	M6 x 1.0	FINE
	EMHS-9252	25	12	M6 x 1.0	FINE

EMHS-SQUARE-"C"-BORE DESIGN						
CAD FILE NAME	PART NUMBER	A SQUARE	B	C	D C'BORE	TOOTH PATTERN
EMHS9120C	EMHS-9120-C	12	10	5.6	M4 SHCS	FINE
	EMHS-9122-C	12	12	5.6	M4 SHCS	FINE
EMHS9160C	EMHS-9160-C	16	10	5.6	M4 SHCS	FINE
	EMHS-9160-C	16	12	5.6	M4 SHCS	FINE
EMHS9200C	EMHS-9200-C	20	10	6.6	M5 SHCS	FINE
	EMHS-9202-C	20	12	6.6	M5 SHCS	FINE
EMHS9250C	EMHS-9250-C	25	10	7.6	M6 SHCS	FINE
	EMHS-9252-C	25	12	7.6	M6 SHCS	FINE

CAD Directory
Mach-Tool\Met-Gripper

Note: The shortest standard component is given, you may "stretch" the unit to the desired length.

All dimensions are in mm

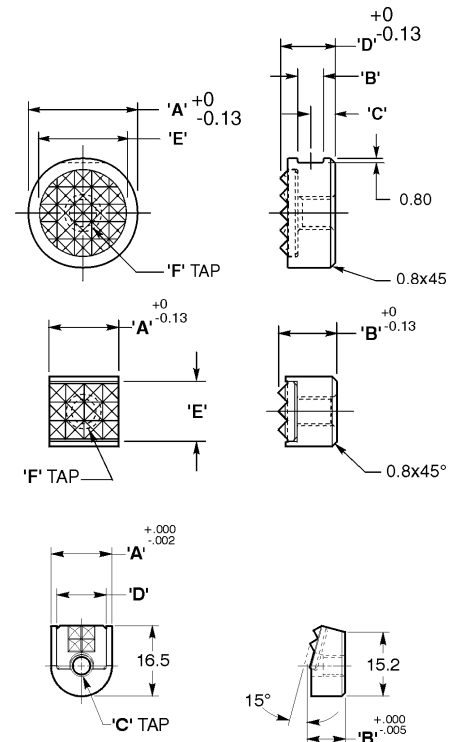
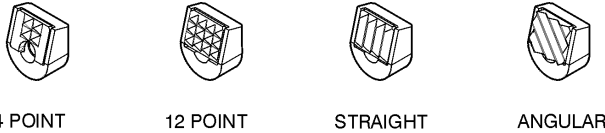
Metric Grippers "EMCT"-Carbide Tipped



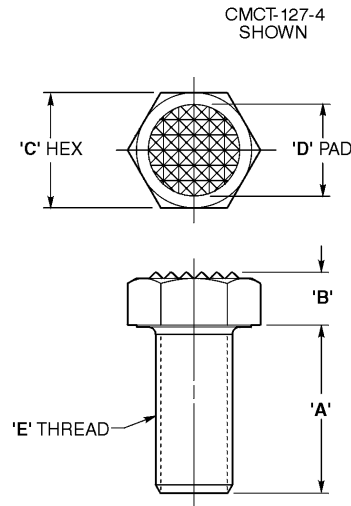
Click to download CAD File (STP Format) 2dwg & 3dwg visit eandesp.com

EMCT - ROUND								
CAD FILE NAME	PART NUMBER	A DIA	B	C	D	E	F TAP	TOOTH PATTERN
EMCT100	EMCT-100	10	10	4.5	4.75	7.9	M5 x 0.8	EX-FINE
EMCT102	EMCT-102	10	12	6	4.75	7.9	M5 x 0.8	EX-FINE
EMCT120	EMCT-120	12	10	4.5	4.75	9.5	M5 x 0.8	FINE
EMCT122	EMCT-122	12	12	6	4.75	9.5	M5 x 0.8	FINE
EMCT160	EMCT-160	16	10	4.5	4.75	12.7	M6 x 1.0	FINE
EMCT162	EMCT-162	16	12	6	4.75	12.7	M6 x 1.0	FINE
EMCT200	EMCT-200	20	10	4.5	4.75	15.9	M6 x 1.0	FINE
EMCT202	EMCT-202	20	12	6	4.75	15.9	M6 x 1.0	FINE
EMCT250	EMCT-250	25	10	4.5	4.75	19.0	M6 x 1.0	FINE
EMCT252	EMCT-252	25	12	6	4.75	19.0	M6 x 1.0	FINE
EMCT840EF	EMCT-840-EF	12.7	12.7	5.9	4.75	9.5	M6 x 1.0	EX-FINE
EMCT841EF	EMCT-841-EF	12.7	9.5	4.4	4.75	9.5	M6 x 1.0	EX-FINE
EMCT842EF	EMCT-842-EF	12.7	16.5	7.5	4.75	9.5	M6 x 1.0	EX-FINE
EMCT850EF	EMCT-850-EF	15.9	9.5	4.4	4.75	12.7	M6 x 1.0	EX-FINE
EMCT860EF	EMCT-860-EF	19.0	9.5	4.4	4.75	15.9	M6 x 1.0	EX-FINE
EMCT - SQUARE								
EMCT9120	EMCT-9120	12	10	-	-	10.3	M5 x 0.8	FINE
EMCT9122	EMCT-9122	12	12	-	-	10.3	M5 x 0.8	FINE
EMCT870EF	EMCT-870-EF	12.7	9.5	-	-	10.3	M6 x 1.0	EX-FINE
EMCT - ANGLE GRIP								
EMCT1274	EMCT-127-4	14.3	9.5	M5 x 0.8	11.9	-	-	4-POINT
EMCT12712	EMCT-127-12	14.3	9.5	M5 x 0.8	11.9	-	-	FINE
EMCT1304	EMCT-130-4	14.3	9.5	M5 x 0.8	11.9	-	-	STRAIGHT
EMCT1455	EMCT-145-5	14.3	9.5	M5 x 0.8	11.9	-	-	ANGULAR

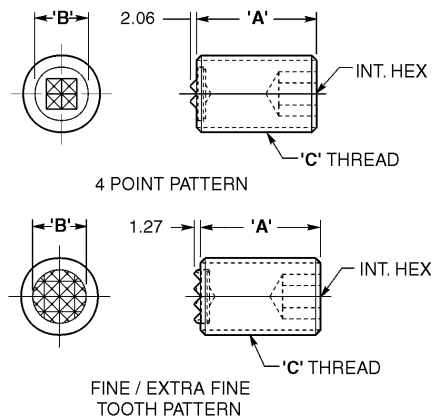
*Optional tooth patterns available, must add "EF" for Extra-Fine to end of part number, otherwise gripper will be supplied with Fine tooth pattern.



"EMCTH" CARBIDE TIPPED ADJUSTABLE							
CAD FILE NAME	PART NUMBER	A	B	C HEX	D	E THD.	TOOTH PATTERN
EMCTH06102	EMCTH-06102	12	5	10	7.9	M6 x 1.0	EX-FINE
	EMCTH-06100	25	5	10	7.9	M8 x 1.0	EX-FINE
EMCTH08122	EMCTH-08122	12	6.4	13	9.5	M8 x 1.25	FINE
	EMCTH-08125	25	6.4	13	9.5	M8 x 1.25	FINE
	EMCTH-08125x35	35	6.4	13	9.5	M8 x 1.25	FINE
EMCTH10125	EMCTH-10125	25	7.5	17	12.7	M10 x 1.25	FINE
	EMCTH-10125x40	40	7.5	17	12.7	M10 x 1.25	FINE
EMCTH10152	EMCTH-10152	12	8.3	17	12.7	M10 x 1.50	FINE
	EMCTH-10150	25	8.3	17	12.7	M10 x 1.50	FINE
	EMCTH-10150x40	40	8.3	17	12.7	M10 x 1.50	FINE
EMCTH12175	EMCTH-12175	25	8.7	19	15.9	M12 x 1.75	FINE
	EMCTH-12175x40	40	8.7	19	15.9	M12 x 1.75	FINE
EMCTH16200	EMCTH-16200	35	11	24	19.0	M16 x 2.00	FINE
	EMCTH-16200x50	50	11	24	19.0	M16 x 2.00	FINE
EMCTH20250	EMCTH-20250	40	13.7	30	25.4	M20 x 2.50	EX-FINE
	EMCTH-20250x60	60	13.7	30	25.4	M20 x 2.50	EX-FINE



"EMPG" CARBIDE TIPPED ADJUSTABLE						
CAD FILE NAME	PART NUMBER	A	B	C	INT HEX	TOOTH PATTERN
EMPG10150	EMPG-10150	25	6.4	M10 x 1.50	5	EX-FINE
EMPG10150	EMPG-10150x50	50	6.4	M10 x 1.50	5	EX-FINE
EMPG121754	EMPG-12175-4	25	7.9	M12 x 1.75	6	4-POINT
EMPG12175	EMPG-12175	25	7.9	M12 x 1.75	6	EX-FINE
EMPG121754	EMPG-12175x50-4	50	7.9	M12 x 1.75	6	4-POINT
EMPG12175	EMPG-1217x50	50	7.9	M12 x 1.75	6	EX-FINE
EMPG162004	EMPG-16200-4	25	11.1	M16 x 2.00	8	4-POINT
EMPG16200	EMPG-16200	25	11.1	M16 x 2.00	8	FINE
EMPG162004	EMPG-16200x50-4	50	11.1	M16 x 2.00	8	4-POINT
EMPG16200	EMPG-16200x50	50	11.1	M16 x 2.00	8	FINE
EMPG202504	EMPG-20250-4	25	12.7	M20x 2.50	10	4-POINT
EMPG20250	EMPG-20250	25	12.7	M20x 2.50	10	FINE



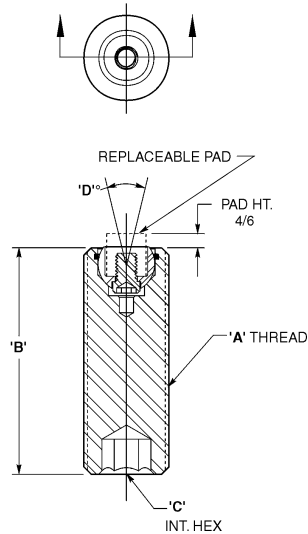
CAD Directory

Mach-Tool\Met-Gripper

Note: The shortest standard component is given, you may "stretch" the unit to the desired length.

All dimensions are in mm

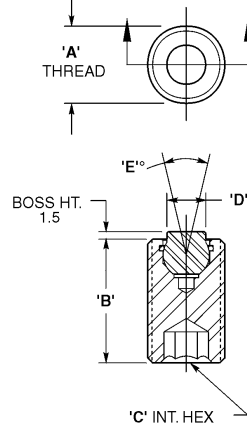
Metric Swivots-Threaded Design



Click to download CAD File (STP Format) 2dwg & 3dwg visit eandesp.com

REPLACEABLE PAD STYLE												
ASSEMBLIES							COMPONENTS					
CAD FILE NAME (see note below)	PART NUMBER	A THREAD	B LGTH	C INT HEX	D DEGREE SWIVEL	BALL DIA	1* REPLACE PAD DIA	2 O-RING	3 BALL	4 LOCK SCREW	5 HOUSING	LOAD RATING
EMTBU20030	EMTBU-20030	M20 x 2.5	30	10	42°	13	10	EMBUR-130	EMBUB-130	EMBUS-130	EMTBU-20030	8379
	EMTBU-20050	M20 x 2.5	50	10	28°	13	10	EMBUR-150	EMBUB-150	EMBUS-150	EMTBU-20050	8379
	EMTBU-20070	M20 x 2.5	70	8	28°	13	10	EMBUR-130	EMBUB-130	EMBUS-130	EMTBU-20070	8379
EMTBU24040	EMTBU-24040	M24 x 3.0	40	10	22°	15	12	EMBUR-150	EMBUB-150	EMBUS-150	EMTBU-24040	12233
	EMTBU-24080	M24 x 1.0	80	10	22°	15	12	EMBUR-150	EMBUB-150	EMBUS-150	EMTBU-24040	12233

*MUST PURCHASE REPLACEABLE PAD SEPARATELY (REFER TO PAGE E-60, E-61 OR E-67).



REPLACEABLE BALL STYLE												
ASSEMBLIES							COMPONENTS					
CAD FILE NAME (see note below)	PART NUMBER	A THREAD	B LGTH	C INT HEX	D BOSS DIA	E DEGREE SWIVEL	BALL DIA	1 BALL	2 O-RING	3 HOUSING	AVAIL TOOTH PATTERN	LOAD RATING
EMTBU12025F or EMTBU12025S	EMTBU-12025*	M12 x 1.75	25	6	6	28°	7	EMBUB-070-(*)	EMBUR-070	EMTBU-12025-H	SF	3440
	EMTBU-12035*	M12 x 1.75	35	6	6	28°	7	EMBUB-070-(*)	EMBUR-070	EMTBU-12035-H	SF	3440
	EMTBU-12050*	M12 x 1.75	50	6	6	28°	7	EMBUB-070-(*)	EMBUR-070	EMTBU-12050-H	SF	3440
EMTBU16025F or EMTBU16025S	EMTBU-16025*	M16 x 2.0	25	8	8.5	24°	10	EMBUB-100-(*)	EMBUR-100	EMTBU-16025-H	EF/SF	5190
	EMTBU-16035*	M16 x 2.0	35	8	8.5	24°	10	EMBUB-100-(*)	EMBUR-100	EMTBU-16035-H	EF/SF	5190
	EMTBU-16050	M16 x 2.0	50	8	8.5	24°	10	EMBUB-100-(*)	EMBUR-100	EMTBU-16050-H	EF/SF	5190
EMTBU20030F or EMTBU20030S	EMTBU-20030	M20 x 2.5	25	10	10	42°	13	EMBUB-130-(*)	EMBUR-130	EMTBU-20030-H	EF/SF	8379
	EMTBU-20050	M20 x 2.5	35	10	10	42°	13	EMBUB-130-(*)	EMBUR-130	EMTBU-20050-H	EF/SF	8379
	EMTBU-20070	M20 x 2.5	50	8	10	42°	13	EMBUB-130-(*)	EMBUR-130	EMTBU-20070-H	EF/SF	8379

*MUST PURCHASE REPLACEABLE PAD SEPARATELY (REFER TO PAGE E-60, E-61 OR E-67).

CAD Directory

Mach-Tool\Met-Gripper

All dimensions are in mm

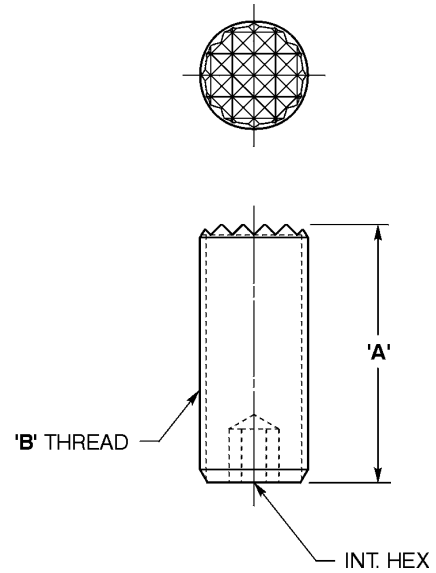
Note: The shortest standard component is given, you may "stretch" the unit to the desired length.

Metric Grippers "EMHS" High Speed Tool Steel

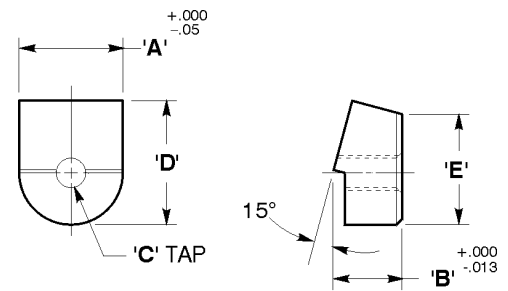


Click to download CAD Files (STP Format) 2dwg & 3dwg visit eandesp.com

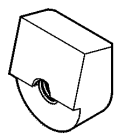
ENHS-ADJUSTABLE					
CAD FILE NAME	PART NUMBER	A	B	INT HEX	TOOTH PATTERN
EMHS1015040	EMHS-10150x40	40	M10 x 1.5	3	EX-FINE
EMHS1217525	EMHS-12175x25	25	M12 x 1.7	5	EX-FINE
EMHS1217540	EMHS-12175x40	40	M12 x 1.7	5	FINE
EMHS1620040	EMHS-16200x40	40	M16 x 2.0	6	FINE
EMHS2025040	EMHS-20250x40	40	M20 x 2.5	8	FINE



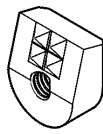
EMHS-ANGLE GRIP							
CAD FILE NAME	PART NUMBER	A	B	C	D	E	TOOTH PATTERN
EMHS1274	EMHS-127-4	14.3	9.5	M5 x 0.8	16.5	15.2	4-POINT
EMHS12712	EMHS-127-12	14.3	9.5	M5 x 0.8	16.5	15.2	FINE
EMHS1304	EMHS-130-4	14.3	9.5	M5 x 0.8	16.5	15.2	STRAIGHT
EMHS1455	EMHS-145-5	14.3	9.5	M5 x 0.8	16.5	15.2	ANGULAR
EMHS11010MM	EMHS-110-10MM	10.0	9.5	M5 x 0.8	16.5	15.2	SMOOTH
EMHS127410MM	EMHS-127-4-10MM	10.0	9.5	M5 x 0.8	16.5	15.2	4-POINT
EMHS130410MM	EMHS-130-4-10MM	10.0	9.5	M5 x 0.8	16.5	15.2	STRAIGHT
EMHS145510MM	EMHS-145-5-10MM	10.0	9.5	M5 x 0.8	16.5	15.2	ANGULAR



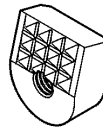
EMHS-110-10MM SHOWN



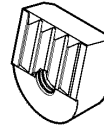
SMOOTH



4 POINT



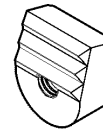
12 POINT



STRAIGHT



ANGULAR



3 POINT
90° STR

CAD Directory

Mach-Tool\Met-Gripper

Note: The shortest standard component is given, you may "stretch" the unit to the desired length.

All dimensions are in mm