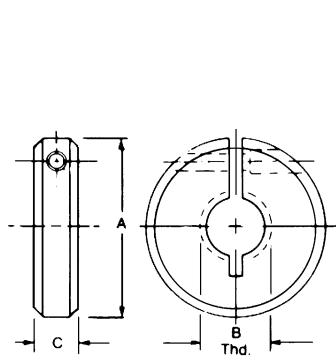


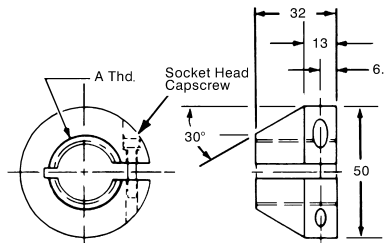
Metric Switch Dogs



Click to download CAD File (STP) Format. 2dwg & 3dwg visit eandesp.com



Round

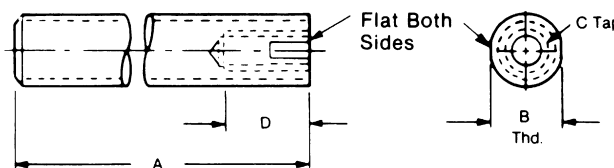


Tapered

CAD FILE NAME	EM093		EM094	EM095	EM095A
PART NUMBER	EM093	EM093A	EM094	EM095	EM095A
A THD	M10 x 1.5	M10 x 1.25	M20 x 1.5	M26 x 1.5	M27 x 2

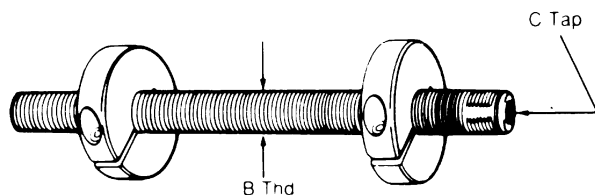
CAD FILE NAME	EM069		EM070		EM071	EM071A	EM072	EM073	EM073A	EM075
PART NUMBER	EM069	EM069A	EM070	EM070A	EM071	EM071A	EM072	EM073	EM073A	EM075
A DIA.	50	50	50	50	50	50	65	65	65	25
B THD.	M10 x 1.5	M10 x 1.25	M12 x 1.5	M12 x 1.25	M14 x 1.5	M16 x 1.5	M20 x 1.5	M26 x 1.5	M27 x 2	M8 x 1.25
C WIDTH	16	16	16	16	16	16	16	16	16	10

Metric Switch Rods

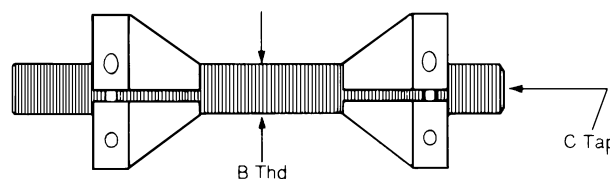


CAD FILE NAME	EM078	EM079		EM080		EM081		EM082	EM083	EM083A
PART NUMBER	EM078	EM079	EM079A	EM080	EM080A	EM081	EM081A	EM082	EM083	EM083A
A	150 - 200 - 250 - 300									
B THD.	M8 x 1.25	M10 x 1.5	M10 x 1.25	M12 x 1.5	M12 x 1.25	M14 x 1.5	M16 x 1.5	M20 x 1.5	M26 x 1.5	M27 x 2
C TAP	—	M5 x .8	M5 x .8	M5 x .8	M5 x .8	M6 x 1.0	M6 x 1.0	M8 x 1.25	M8 x 1.25	M8 x 1.25
D	—	16	16	19	19	22	22	22	31	31

Metric Switch Assemblies



With Conventional Switch Dogs



With Single Tapered Switch Dog (Slotted Mount)

CAD FILE NAME	EM993		EM994	EM995	EM995A
PART NUMBER	EM993	EM993A	EM994	EM995	EM995A
ROD LENGTH	150 - 200 - 250 - 300				
B. THD.	M10 x 1.5	M10 x 1.25	M20 x 1.5	M26 x 1.5	M27 x 2
C TAP	M5 x 0.8	M5 x 0.8	M8 x 1.25	M8 x 1.25	M8 x 1.25

CAD FILE NAME	EM999	EM000		EM003		EM004	EM004A	EM005	EM006	EM006A
PART NUMBER	EM999	EM000	EM000A	EM003	EM003A	EM004	EM004A	EM005	EM006	EM006A
ROD LENGTH	150 - 200 - 250 - 300									
B THD.	M8 x 1.25	M10 x 1.5	M10 x 1.25	M12 x 1.5	M12 x 1.25	M14 x 1.5	M16 x 1.5	M20 x 1.5	M26 x 1.5	M27 x 2
C TAP	—	M5 x .8	M5 x .8	M5 x .8	M5 x .8	M6 x 1.0	M6 x 1.0	M8 x 1.25	M8 x 1.25	M8 x 1.25

CAD Directory
Cylinder-Acc\Met-DogsRods

“Stretch”
The shortest standard component is given. You may “Stretch” the unit to the desired length.

All dimensions are in mm