

# Metric Swing Bolts



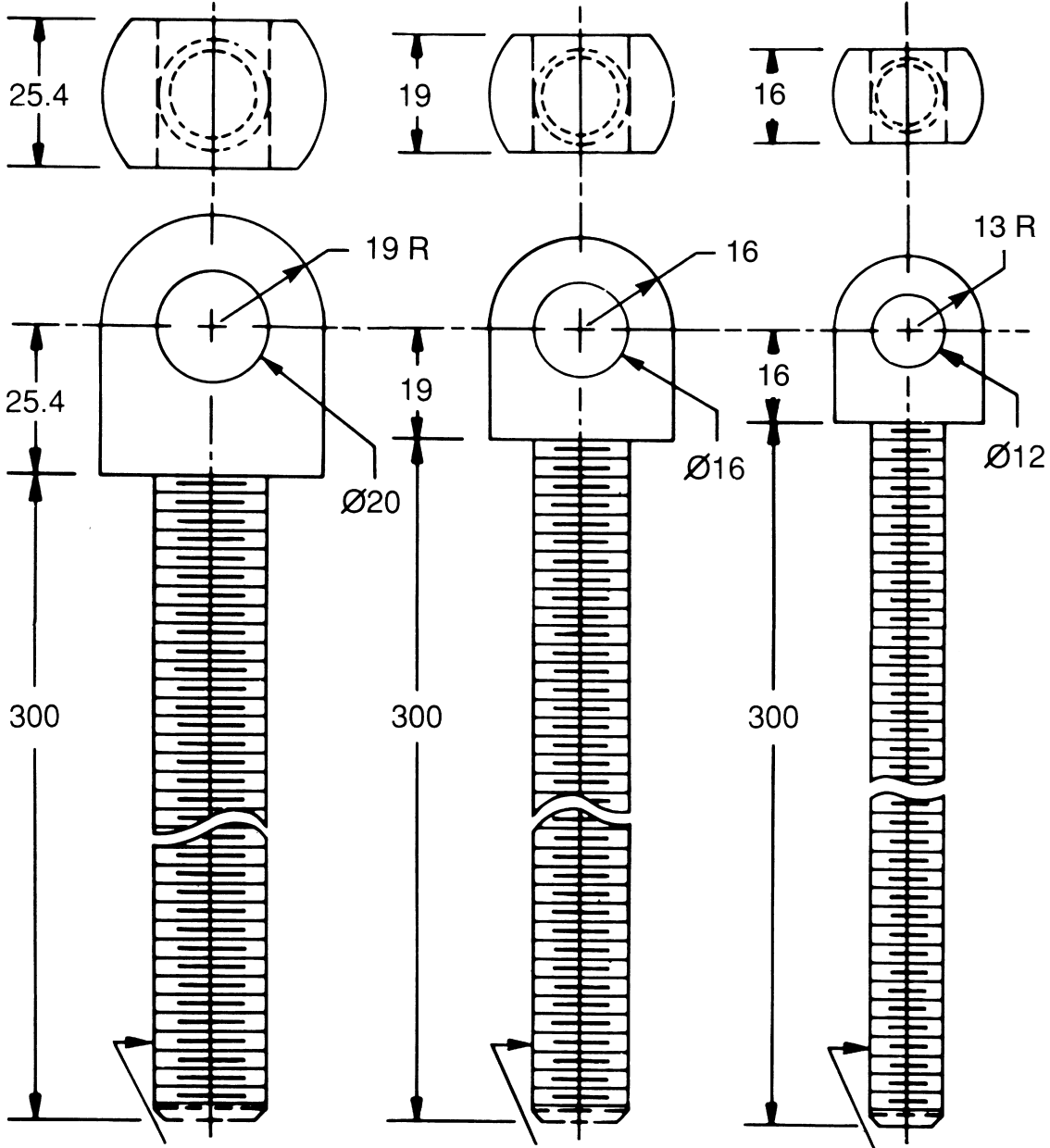
E&ESP

Click on CAD File to download (STP Format) 2dwg & 3dwg visit eandesp.com

**Cad File Name EM620**  
**Part Number EM620**

**Cad File Name EM616**  
**Part Number EM616**

**Cad File Name EM612**  
**Part Number EM612**



**M20 x 2.5 THD.**

**M16 x 2.0 THD.**

**M12 x 1.75 THD.**