

# Pallet Clamp



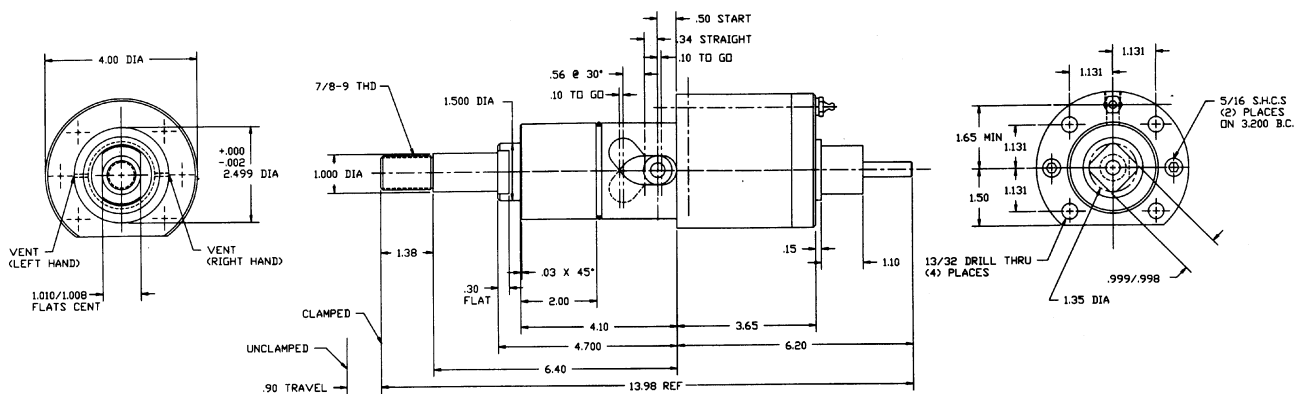
## DESIGN FEATURES

- Ground acme threads for positive locking in any position
- Design customized for individual customer requirements
- Rotation and stroke built to custom specification
- Variable clamping force based on torque input
- Precision thrust bearings
- Ampco bronze drive nut

## APPLICATION

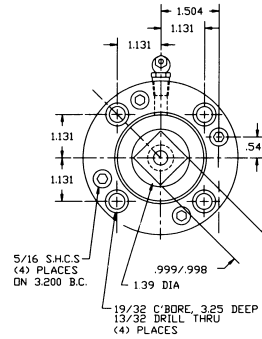
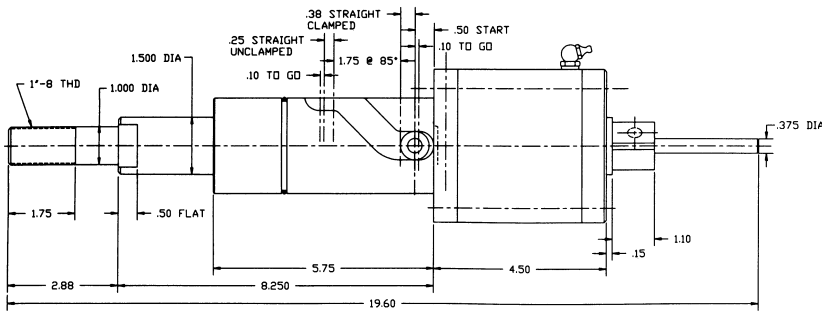
Used mainly in pallet applications where parts are clamped on a pallet then put through various machining operations. Clamp driven by a nut runner in a load/unload station. Parts remain securely clamped by use of acme threads.

### Part No. E-2248

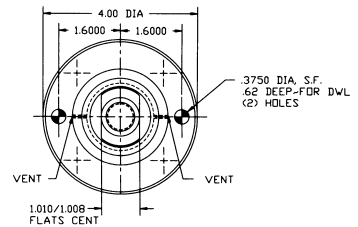


**Note:** Please consult factory before incorporating these examples into your design.

**Part No. E-2617-R/L**

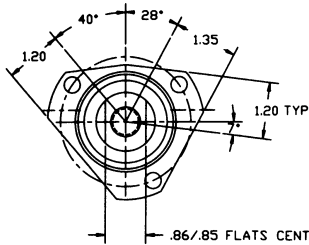


**Right End View**

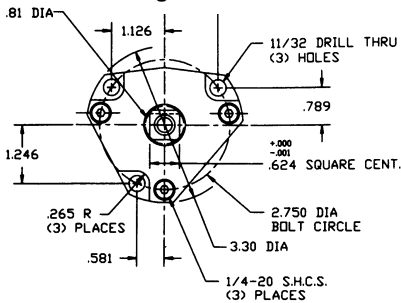


**Left End View**

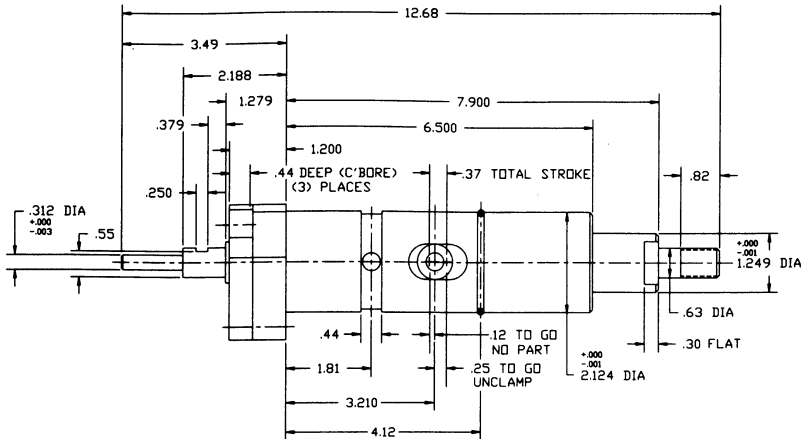
**Part No. E-2356**



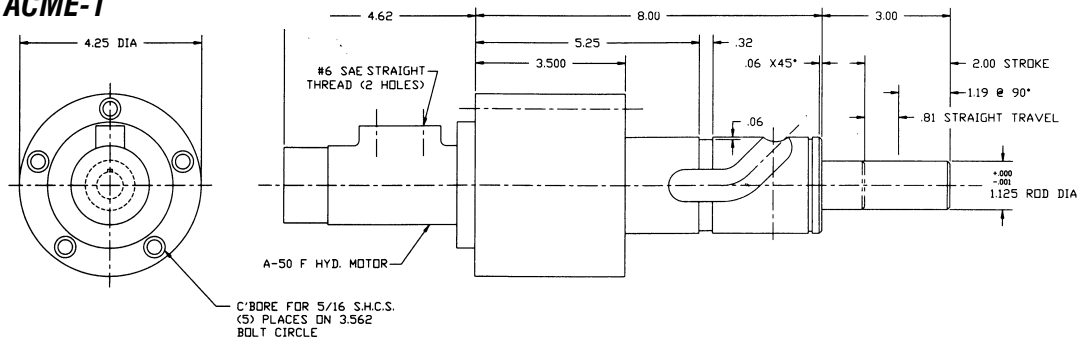
**Right End View**



**Left End View**



**Part No. ACME-1**



**Pallet Clamp powered with hydraulic motor**