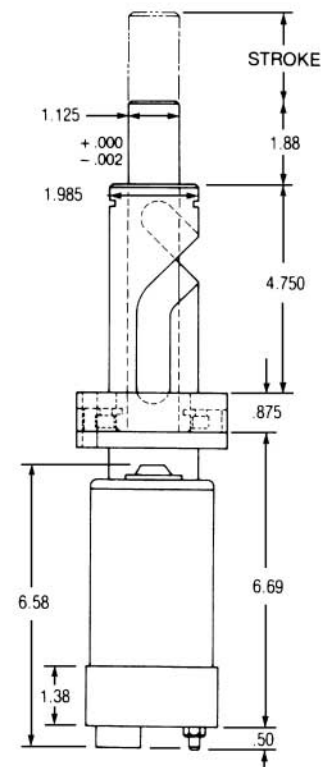
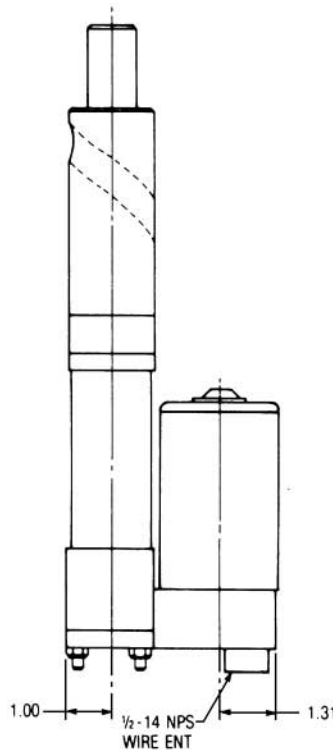
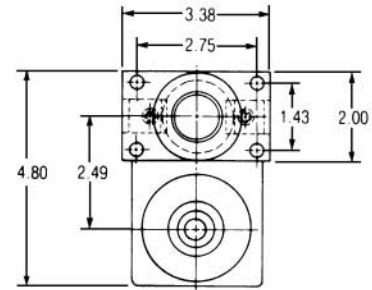




NOTE: PLEASE CONSULT
 FACTORY BEFORE
 INCORPORATING
 THIS EXAMPLE INTO
 YOUR DESIGN.



DESIGN FEATURES

- ❑ More precise control than air or hydraulic, repeatability to .001
- ❑ Cleaner operation than air or hydraulic
- ❑ Rotation is the same as E&E EP 112 Series Rota-Shafts
- ❑ When used with our control:
 - Multiple stop capability; Programmable Positioning
 - Thrust control capability
 - Adjustable acceleration and deceleration
 - Compatible with today's controls
- ❑ Linear to rotary positioning without the use of air or oil. Clean, self locking, easy interface, overload protected, easy to use controls
- ❑ 100% Duty Cycle rated

APPLICATION

Typically used in computerized manufacturing applications where controllers are in operation.