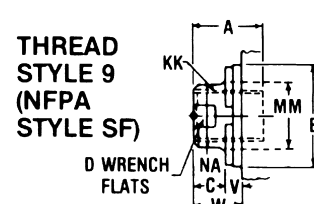
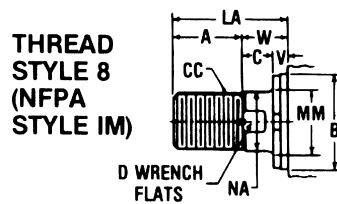
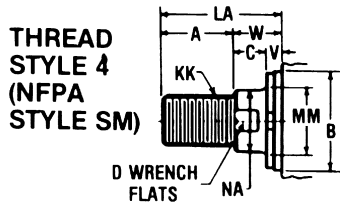


**OPTIONAL MOUNTING STYLES IN NFPA OR J.I.C. STANDARDS
 AVAILABLE IN SOME ROTA-SHAFT MODELS. CONSULT E&E
 ENGINEERING FOR INDIVIDUAL APPLICATION DETAILS**

ROD END OPTIONS

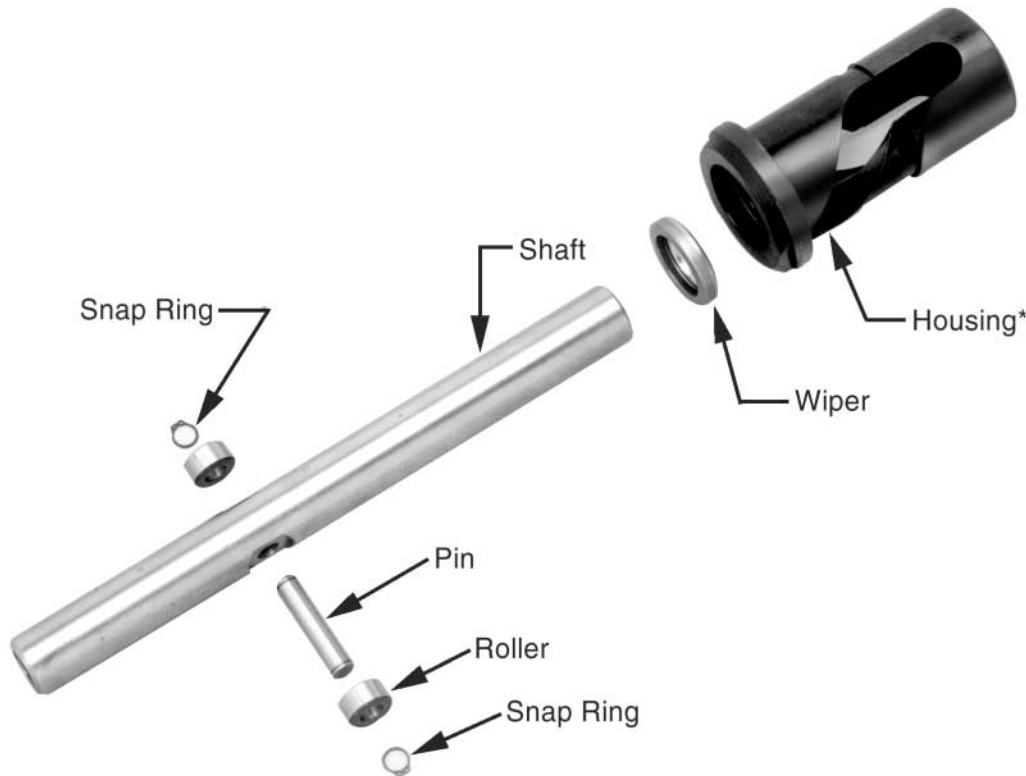


OPTIONAL MOUNTING STYLES

 TB NFPA Style MX3 Tie Rods Extended Head End, Style TB.	 TC NFPA Style MX2 Tie Rods Extended Cap End, Style TC.	 TD NFPA Style MX1 Tie Rods Extended Both Ends, Style TD.	 J NFPA Style MF1 Head Rectangular Flange, Style J.	 JB NFPA Style MF5 Head Square Flange, Style JB.
 H NFPA Style MF2 Cap Rectangular Flange, Style H.	 HB NFPA Style MF6 Cap Square Flange, Style HB.	 C NFPA Style MS2 Side Lug Style C.	 E NFPA Style MS3 Centerline Lugs, Style E.	 F NFPA Style MS4 Side Tapped Style F.
 CB NFPA Style MS1 Side End Angles, Style CB.	 G NFPA Style MS7 Side End Lugs, Style G.	 BB NFPA Style MP1 Cap Fixed Clevis, Style BB.	 BC NFPA Style MP2 Cap Detachable Clevis Style BC.	 D NFPA Style MT1 Head Trunnion, Style D.
 DB NFPA Style MT2 Cap Trunnion, Style DB.	 DD NFPA Style MT4 Intermediate Fixed Trunnion Mounting, Style DD.	 DOUBLE ROD CYLINDERS Most Of The Above Illustrated Mounting Styles Are Available In Double Rod Cylinders.		

Rota-Shaft Accessories / Parts (Non-Powered)

E&E SPECIAL PRODUCTS
 7200 MILLER DRIVE
 WARREN, MI 48092
E&ESP 586-978-3377 / 586-978-3378 FAX



PARTS LIST

E75206 SERIES

PART NUMBER	DESCRIPTION
E-75206-R/L-1	Housing (R or L)*
E-75206-2	Shaft
E-75206-3	Roller (2 required)
E-75206-4	Pin
E-75206-4A	Roller & Pin Assy. (consisting of 2 pcs. E75206-3, 1 pc. 75206-4, 2 pcs. 75206-6)
E-75206-5	Wiper Scraper
E-75206-6	Snap Ring

E11500 SERIES

PART NUMBER	DESCRIPTION
E-11500-R/L-1	Housing (R or L)*
E-11500-2	Shaft
E-11500-3	Roller (2 required)
E-11500-4	Pin
E-11500-4A	Roller & Pin Assy. (consisting of 2 pcs. E11500-3, 1 pc. 11500-4, 2 pcs. 11500-6)
E-11500-5	Wiper Scraper
E-11500-6	Snap Ring

E14207 SERIES

PART NUMBER	DESCRIPTION
E-14207-R/L-1	Housing (R or L)*
E-14207-2	Shaft
E-14207-3	Roller
E-14207-4	Pin
E-14207-4A	Roller & Pin Assy. (consisting of 2 pcs. E14207-3, 1 pc. 14207-4, 2 pcs. 14207-6)
E-14207-5	Wiper Scraper
E-14207-6	Snap Ring

E2000 SERIES

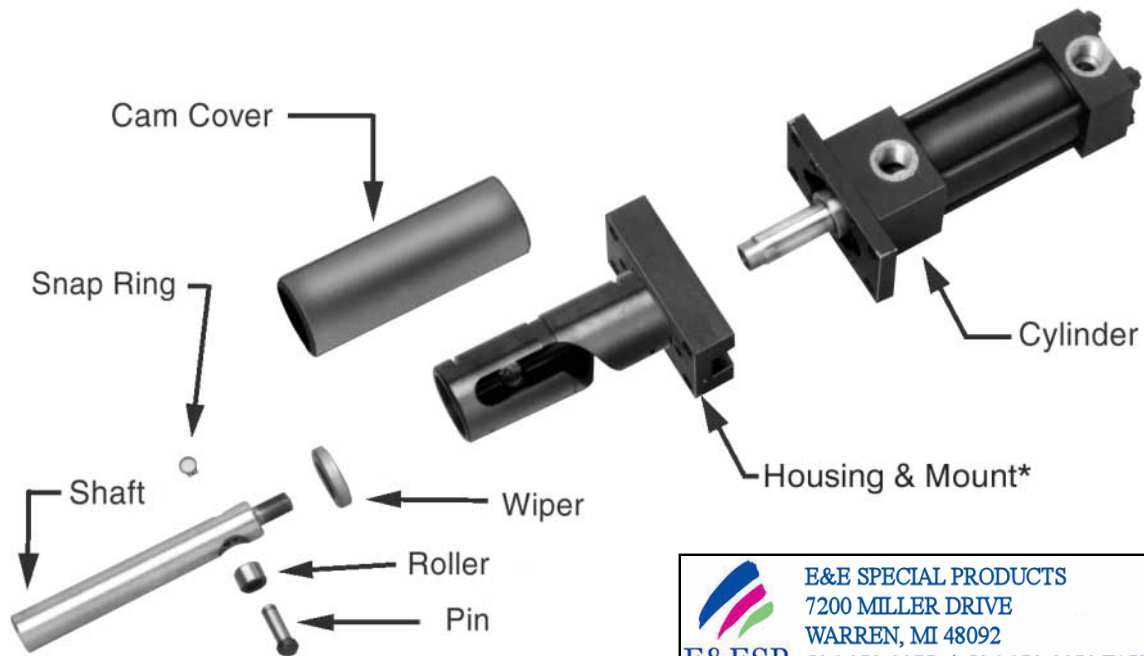
PART NUMBER	DESCRIPTION
E-2000-R/L-1	Housing (R or L)*
E-2000-2	Shaft
E-2000-3	Roller (2 required)
E-2000-4	Pin
E-2000-4A	Roller & Pin Assy. (consisting of 2 pcs. E2000-3, 1 pc. 2000-4, 2 pcs. 2000-6)
E-2000-5	Wiper Scraper
E-2000-6	Snap Ring

* **NOTE:** MAKE SURE TO SPECIFY R OR L HAND HOUSING.

Rota-Shaft Accessories / Parts (Powered)



Linear/Rotary Motion




E&E SPECIAL PRODUCTS
 7200 MILLER DRIVE
 WARREN, MI 48092
 586-978-3377 / 586-978-3378 FAX

PARTS LIST

EP-750 & EP-057 SERIES

PART NUMBER	DESCRIPTION
EP-750-2	Shaft
# EP-750-15 R/L BH	Housing & Mount for 1 1/2" Bore A or H Cylinder (R or L)*
# EP-750-20 R/L BH	Housing & Mount for 2" Bore A or H Cylinder (R or L)*
# EP-750-25 R/L BH	Housing & Mount for 2 1/2" Bore A or H Cylinder (R or L)*
EP-750-4	Roller (1 required)
EP-750-4A	Roller Assembly (consisting of 1 pc. 750-4, 1 pc. 750-6, 1 Snap Ring)
EP-750-6	Pin
EP-750-7	Wiper
EP-750-8	Cam Track Cover
EP-750-9	Snap Ring

EP-112 & EP-211 SERIES

PART NUMBER	DESCRIPTION
EP-112-2	Shaft
# EP-112-25 R/L BH	Housing & Mount for 2 1/2" Bore A or H Cylinder (R or L)*
# EP-112-32 R/L BH	Housing & Mount for 3 1/4" Bore A or H Cylinder (R or L)*
EP-112-4	Roller (1 required)
EP-112-4A	Roller Assembly (consisting of 1 pc. 112-4, 1 pc. 112-6, 1 Snap Ring)
EP-112-6	Pin
EP-112-7	Wiper
EP-112-8	Cam Track Cover
EP-112-9	Snap Ring

NOTES

* MAKE SURE TO SPECIFY R OR L HAND HOUSING.

FOR ROTARY LINEAR MODELS USE EP-057 OR EP-211, SEE PAGE A-10.

NOTE: Replacement cylinders and cylinder parts will be quoted individually. Contact Special Products Division for prices when required.