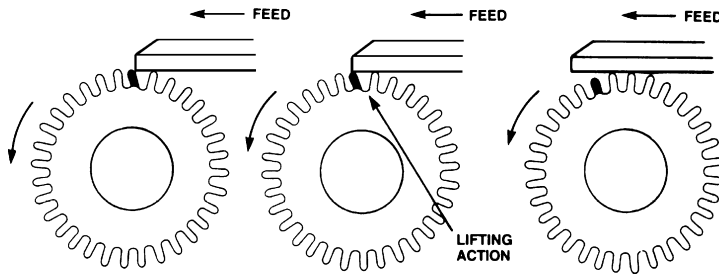
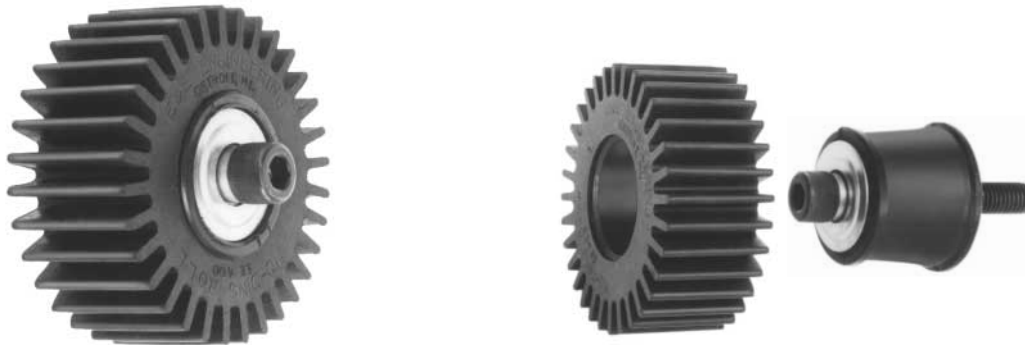


# "No Ding" Conveyor Rolls

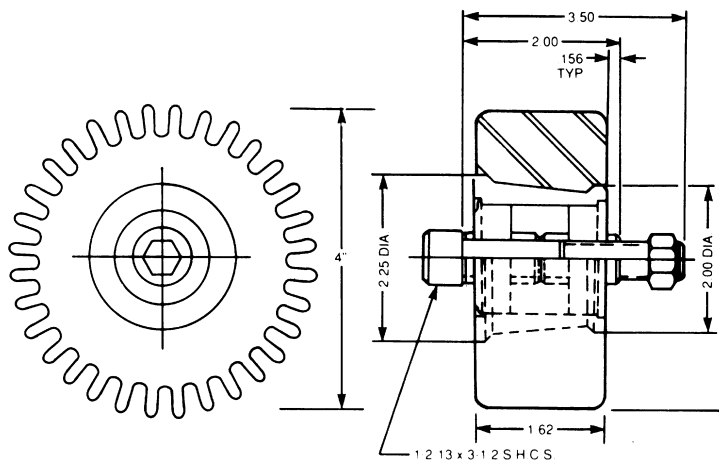
**CAD File Name E400**  
**PART No. E400**



- Protect Your Products
- Last Longer Than Conventional Rolls
- Reduce Maintenance Costs

These fingers flex on impact, and the following finger gently lifts the leading edge of incoming stock or parts. The combination of tough elastomer and flexible finger design makes "No-Ding" rolls exceptionally durable, substantially extending roll life in many applications.

"No-Ding" conveyor rolls combine gentle, mar-free handling of parts and stock with excellent durability and reduced maintenance costs. The secret is in the exclusive design that replaces conventional rolls with a molded elastomeric element that has thirty-two tough, resilient fingers around its periphery.



When they do wear out, the "No-Ding" design permits economical replacement of the wheel while the hub and bearing assembly remains mounted on your equipment. This exclusive feature minimizes the long-term operating cost of "No-Ding" Rolls, making them the most economical choice available today for high-production part and stock handling.

PART NO. E400 - Complete