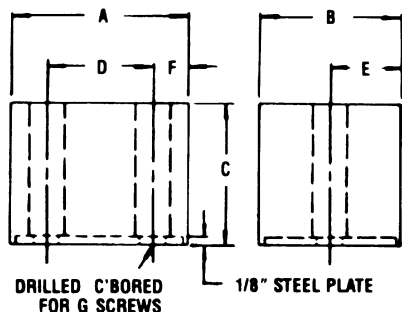


Bumpers – Rectangular and Square

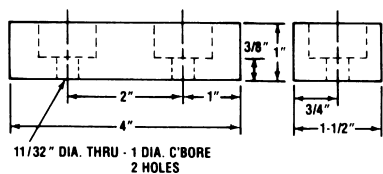
E&E SPECIAL PRODUCTS
 7200 MILLER DRIVE
 WARREN, MI 48092
E&ESP 586-978-3377 / 586-978-3378 FAX

You can order bumpers in the sizes shown below directly from stock. They are 80 durometer, available bonded to 1/8" steel plate or neoprene only. Mounting holes are drilled and counter bored or tapped for mounting.

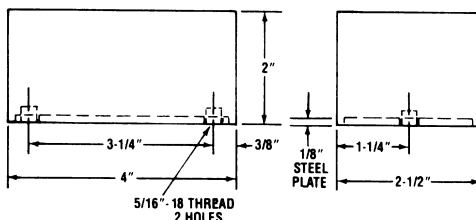


BUMPERS W/DRILLED & COUNTERBORED HOLES										
CAD FILE NAME	NEOPRENE PART NUMBER	URETHANE PART NUMBER	A	B	C	D	E	F	G	NUMBER OF HOLES
ERB1175	ERB-1175	ERB-1175-UR	1-3/4	1	3/4	1	1/2	3/8	1/4	2
ERB1175	*ERB-1175-35		1-3/4	1	3/4	1	1/2	3/8	1/4	2
ERB2025C	ERB-2025-C	ERB-2025-C-UR	2-1/2	2	2	1-1/2	1	1/2	5/16	2
ERB2025	ERB-2025	ERB-2025-UR	2-1/2	2	2					
ERB7525	ERB-7525	ERB-7525-UR	2-1/2	5/8	5/8	1-1/2	5/16	1/2	1/4	2
ERB7575	ERB-7575	ERB-7575-UR	3/4	3/4	5/8		3/8	3/8	1/4	1

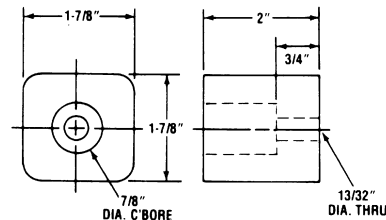
Neoprene 80 Durometer *ERB-1175-35=35 Durometer
 Urethane 80 Durometer



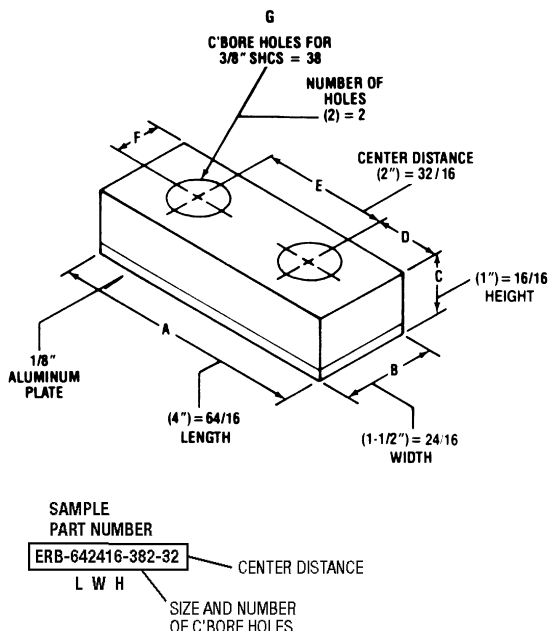
ERB-1540 60 Durometer Neoprene



ERB-2540-T 80 Durometer Neoprene



ERB-2020-C 80 Durometer Neoprene



SAMPLE PART NUMBER
ERB-642416-382-32
 L W H CENTER DISTANCE
 SIZE AND NUMBER OF C'BORE HOLES

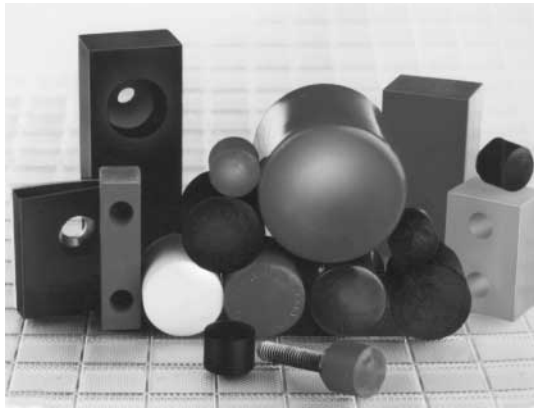
STANDARD NEOPRENE CUT BUMPERS WITH ALUMINUM BACK										
CAD FILE NAME	PART NUMBER	A	B	C	D	E	F	G	NUMBER OF HOLES	
ERB24161	ERB-241612-142	1-1/2	1	3/4	3/8	3/4	1/2	1/4	2	
ERB28162	ERB-281628-142	1-3/4	1	1-3/4	3/8	1	1/2	1/4	2	
ERB48162	ERB-481628-382	3	1	1-3/4	5/8	1-3/4	1/2	3/8	2	
ERB48241	ERB-482416-5162	3	1-1/2	1	1/2	2	3/4	5/16	2	
ERB64161	ERB-641612-142	4	1	3/4	1-1/2	1	1/2	1/4	2	

CUSTOM CUT BUMPERS

Cut bumpers in neoprene or urethane are available in your dimensions. Various durometers optional, aluminum back, and a choice of drilled, tapped or counter bored holes give you unlimited design choices. To order, specify length – width – height – hole size – center distance – backing – durometer and type. Refer to drawing and sample part number for example. We provide fast turnaround time on large or small quantities.

Material Handling

Bumpers – Round with Female Threads – 3/4" - 2-1/4" Dia.

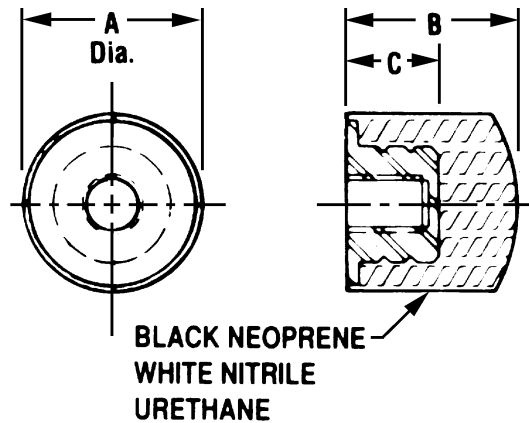


Rugged black neoprene, white nitrile or urethane bumpers are bonded to solid steel cores and are used to guard, stop, align, position or protect parts through each step of manufacturing. Bumpers are shipped from stock and are available in many standard sizes and shapes.



E&E SPECIAL PRODUCTS
7200 MILLER DRIVE
WARREN, MI 48092
E&ESP 586-978-3377 / 586-978-3378 FAX

Molded Round Bumpers with Female Thread

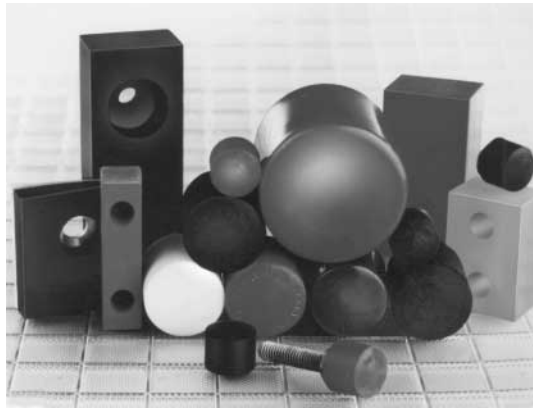


CAD FILE NAME	NEOPRENE BUMPER NUMBER	WHITE BUMPER NUMBER	URETHANE BUMPER NUMBER	DIA. A	LENGTH B	C	FEMALE THREAD
ERB516	ERB-516-024	—	ERB-516-024UR	3/4	5/8	3/8	10-24 x 1/4
	ERB-516-032	—	ERB-516-032UR	3/4	5/8	3/8	10-32 x 1/4
	ERB-516-120	—	ERB-516-120UR	3/4	5/8	3/8	1/4-20 x 1/4
	ERB-516-128	—	ERB-516-128UR	3/4	5/8	3/8	1/4-28 x 1/4
	ERB-516-45*	—	ERB-516-60-UR*	3/4	5/8	3/8	5/16 - 18 x 1/4
	ERB-516-70	ERB-516-70W	ERB-516-80-UR	3/4	5/8	3/8	5/16 - 18 x 1/4
	ERB-516-524	—	ERB-516-524UR	3/4	5/8	3/8	5/16-24 x 1/4
ERB3-8	ERB-3	ERB-3W	ERB-3-UR	1-1/4	1-1/4	3/4	3/8 - 16 x 1/2
	ERB-4	ERB-4W	ERB-4-UR	1-1/4	1-1/4	3/4	3/8 - 24 x 1/2
	ERB-5	ERB-5W	ERB-5-UR	1-1/4	1-1/4	3/4	1/2 - 13 x 1/2
	ERB-6	ERB-6W	ERB-6-UR	1-1/4	1-1/4	3/4	1/2 - 20 x 1/2
	ERB-7	ERB-7W	ERB-7-UR	1-1/4	1-1/4	3/4	7/16 - 20 x 1/2
	ERB-8	ERB-8W	ERB-8-UR	1-1/4	1-1/4	3/4	5/8 - 18 x 1/2
ERB9-10	ERB-9	ERB-9W	ERB-9-UR	1-3/4	1-5/8	7/8	5/8 - 11 x 5/8
	ERB-10	ERB-10W	ERB-10-UR	1-3/4	1-5/8	7/8	5/8 - 18 x 5/8
ERB12-14	ERB-12	ERB-12W	ERB-12-UR	2-1/4	2-1/4	1-3/8	3/4 - 10 x 1
	ERB-13	ERB-13W	ERB-13-UR	2-1/4	2-1/4	1-3/8	3/4 - 16 x 1
	ERB-14	ERB-14-W	ERB-14-UR	2-1/4	2-1/4	1-3/8	1 - 8 x 1

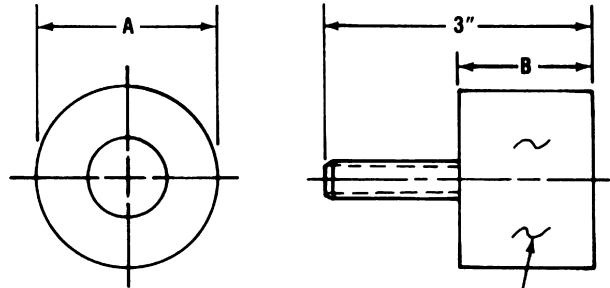
Black Neoprene 40-45 Durometer
White Nitrile 40-45 Durometer
Urethane 80-90 Durometer

* 516 Bumpers are 70 Neoprene & 80 Urethane
except 516-45 is 45 Durometer Neoprene and
516-60 UR is 60 Durometer Urethane.

Bumpers – Round with Male Threads – 3/4" - 1-1/2" Dia.

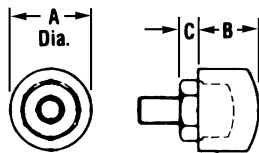


Rugged black neoprene, white nitrile or urethane bumpers are bonded to solid steel cores and are used to guard, stop, align, position or protect parts through each step of manufacturing. Bumpers are shipped from stock and are available in many standard sizes and shapes.



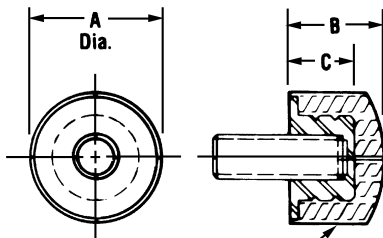
Molded Round Bumpers with Male Thread and Hex Shoulder

Molded Round Bumpers with Male Thread



BLACK NEOPRENE
WHITE NITRILE
URETHANE

ERB-516M Series Only



BLACK NEOPRENE
WHITE NITRILE
URETHANE

NEOPRENE-60 DURO.

CAD FILE NAME	BUMPER NO.	DIA. A	LENGTH B	MALE THREAD
ERB2015M	ERB-2015M-24	2	1-1/2	3/8 - 16 x 1-1/2

CAD FILE NAME	NEOPRENE BUMPER NUMBER	WHITE BUMPER NUMBER	URETHANE BUMPER NUMBER	DIA. A	LENGTH B	C	MALE THREAD
ERB-516-10	ERB-516-024M-8	—	ERB-516-024URM-8	3/4	5/8	3/16	10-24 x 1/2
	ERB-516-024M-20	—	ERB-516-024URM-20	3/4	5/8	3/16	10-24 x 1-1/4
	ERB-516-032M-8	—	ERB-516-032URM-8	3/4	5/8	3/16	10-32 x 1/2
	ERB-516-032M-20	—	ERB-516-032URM-20	3/4	5/8	3/16	10-32 x 1-1/4
ERB-516-25	ERB-516-120M-8	—	ERB-516-120URM-8	3/4	5/8	3/16	1/4-20 x 1/2
	ERB-516-120M-20	—	ERB-516-120URM-20	3/4	5/8	3/16	1/4-20 x 1-1/4
	ERB-516-128M-8	—	ERB-516-128URM-8	3/4	5/8	3/16	1/4-28 x 1/2
	ERB-516-128M-20	—	ERB-516-128URM-20	3/4	5/8	3/16	1/4-28 x 1-1/4
ERB-516-31	ERB-516M-8	ERB-516WM-8	ERB-516URM-8	3/4	5/8	3/16	5/16 - 18 x 1/2
	ERB-516M-20	ERB-516WM-20	ERB-516URM-20	3/4	5/8	3/16	5/16 - 18 x 1-1/4
	ERB-516-524M-8	—	ERB-516-524URM-8	3/4	5/8	3/16	5/16-24 x 1/2
	ERB-516-524M-20	—	ERB-516-524URM-20	3/4	5/8	3/16	5/16-24 x 1-1/4
ERB3M-38	ERB-3M-10	ERB-3WM-10	ERB-3URM-10	1-1/4	1-1/4	3/4	3/8 - 16 x 5/8
	ERB-3M-20	ERB-3WM-20	ERB-3URM-20	1-1/4	1-1/4	3/4	3/8 - 16 x 1-1/4
ERB8M-62	ERB-8M-16	ERB-8WM-16	ERB-8URM-16	1-1/4	1-1/4	3/4	5/8 - 18 x 1
ERB14M-50	ERB-14M-13	ERB-14WM-13	ERB-14URM-13	1-1/4	1-1/4	3/4	1/2 - 13 x 3/4
ERB15M-38	ERB-15M-12	—	ERB-15URM-12	1-1/2	13/16	3/8	3/8 - 16 x 3/4

Black Neoprene 40-45 Durometer
White Nitrile 40-45 Durometer
Urethane 80-90 Durometer

* 516 Bumpers are 70 Neoprene & 80 Urethane

CAD Directory
MATL-Handling\Bumper

E&E SPECIAL PRODUCTS
7200 MILLER DRIVE
WARREN, MI 48092
586-978-3377 / 586-978-3378 FAX