

## Load Rating of Transfer Bar Guide Rollers

PART NUMBER	DYNAMIC LOAD	STATIC LOAD
E145	12,300 Lbs.	13,600
E853	12,300 Lbs.	13,600
E351	4,860 Lbs.	5,240
E353	7,770 Lbs.	8,000
E355	11,000 Lbs.	11,300
E357	12,300 Lbs.	13,600
E359	12,300 Lbs.	13,600

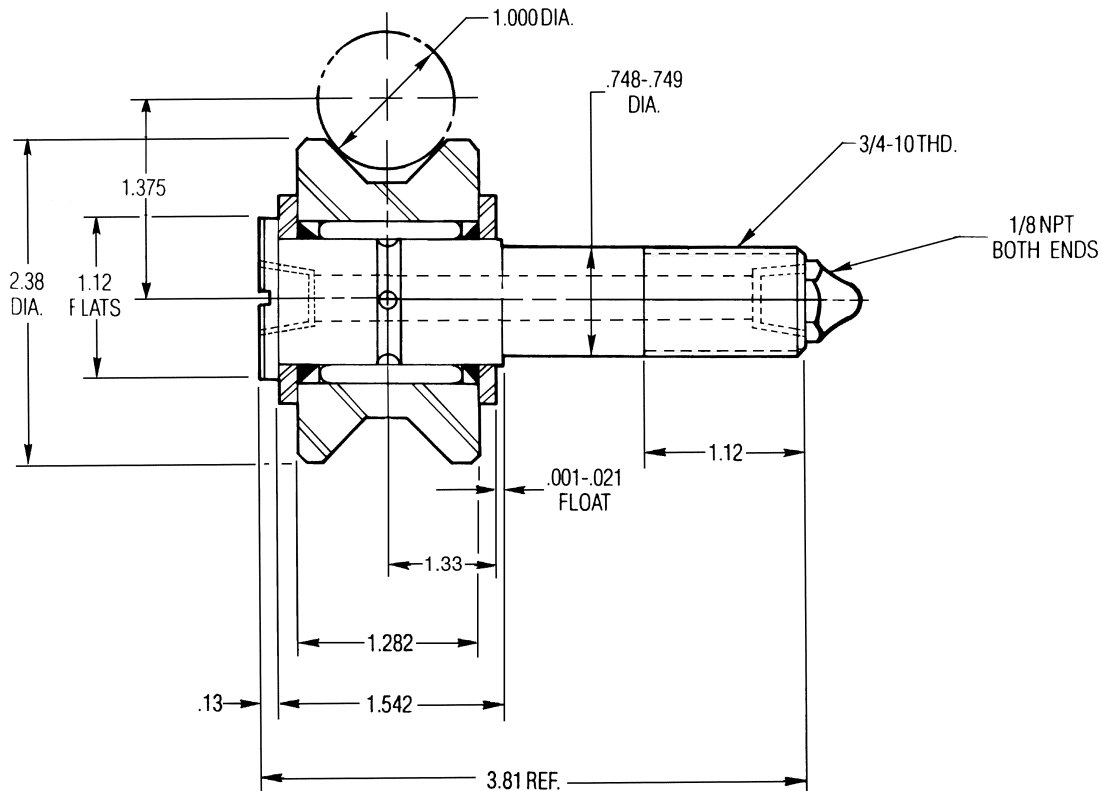
### Special Transfer Bar Guide Rolls

If our standard Transfer Bar Guide Rolls don't meet your needs, we can provide custom rolls to your specifications. Send us your print or a sketch with a request for quotation. If you need engineering or technical assistance, please call us directly.

## VEE Transfer Bar Guide Roll

CAD File Name E351

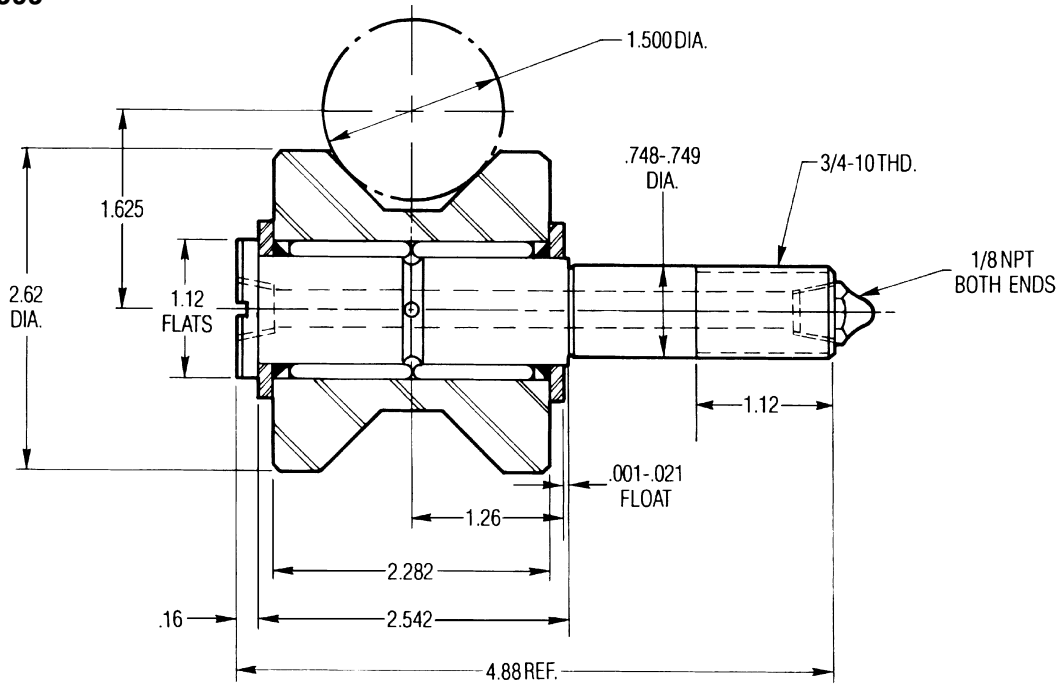
Part No. E351



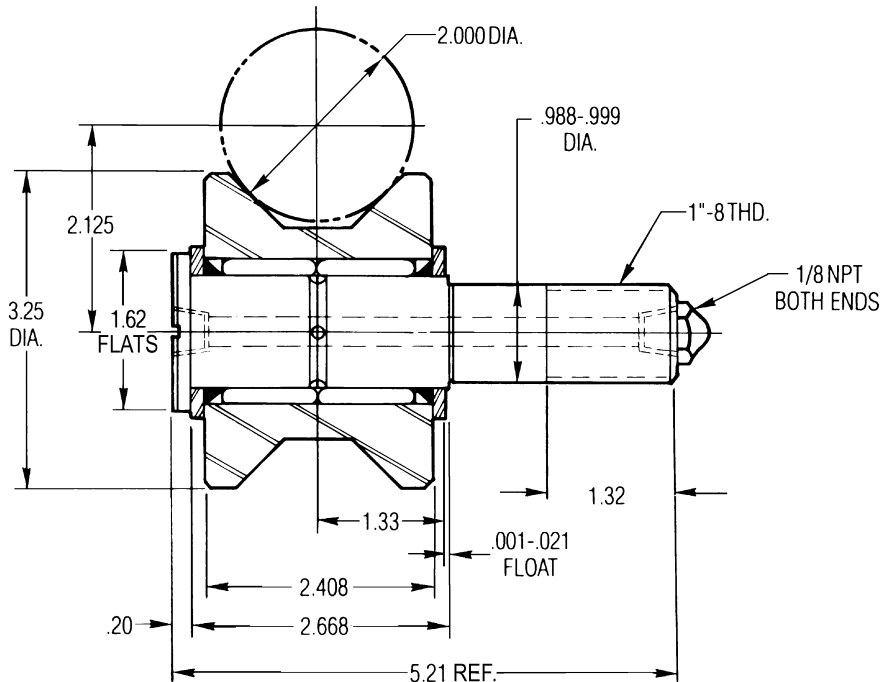
CAD Directory  
 Mach-Tool\TransBar

# VEE Transfer Bar Guide Rolls

**CAD File Name E353**  
**Part No. E353**



**CAD File Name E355**  
**Part No. E355**

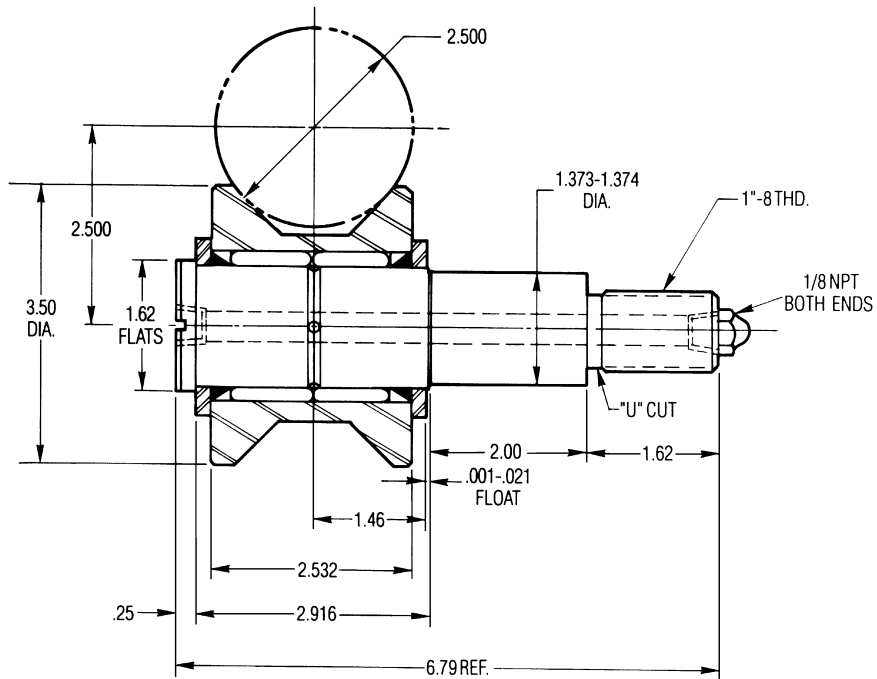


# VEE Transfer Bar Guide Rolls

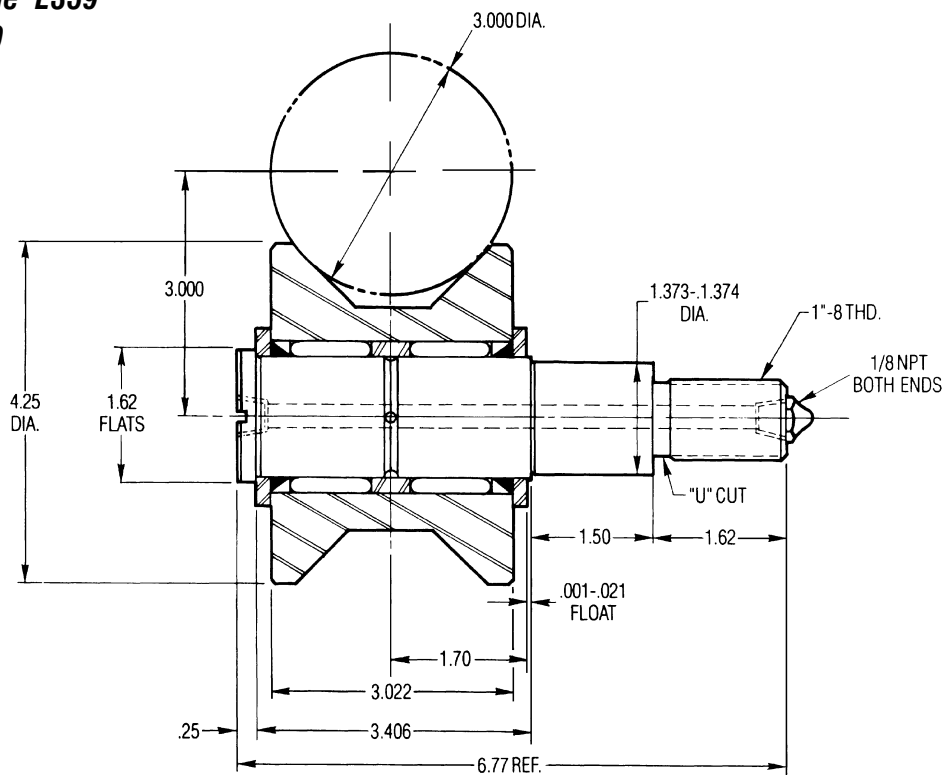


CAD File Name E357  
Part No. E357

 E&E SPECIAL PRODUCTS  
7200 MILLER DRIVE  
WARREN, MI 48092  
586-978-3377 / 586-978-3378 FAX



CAD File Name E359  
Part No. E359

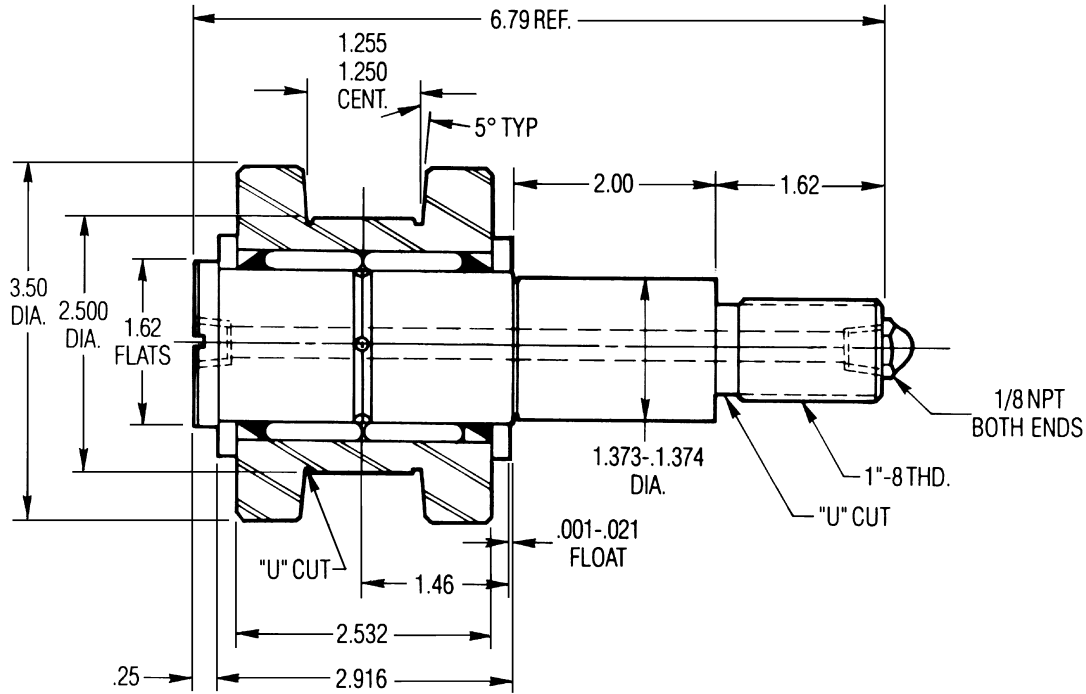


CAD Directory  
Mach-Tool\TransBar

# Square Transfer Bar Guide Rolls

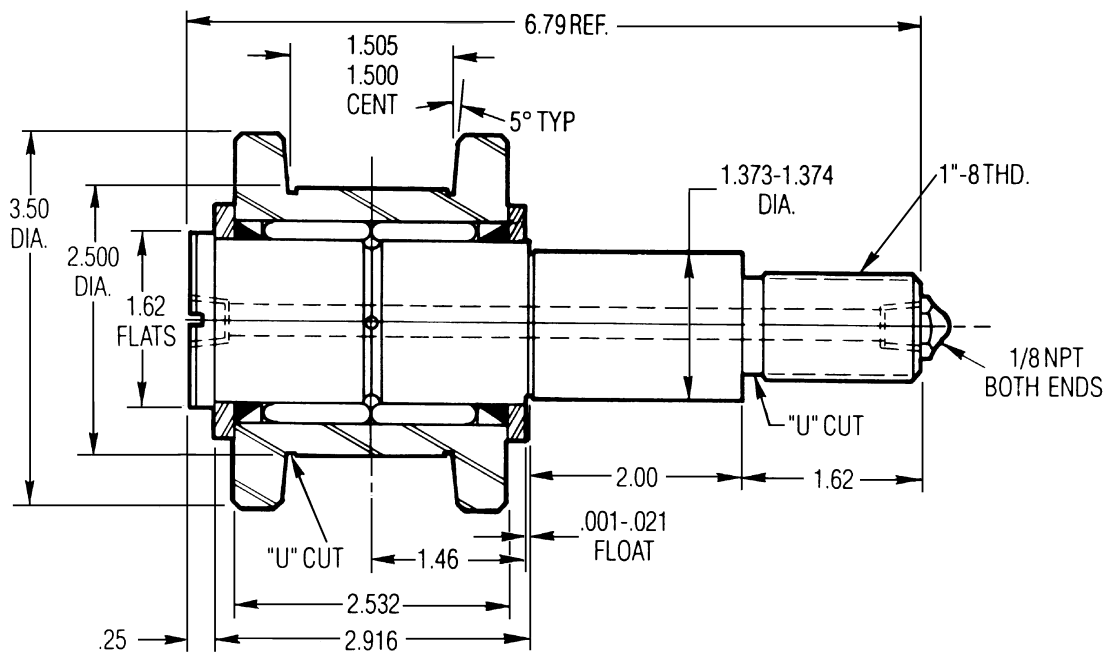
**CAD File Name E145**

**Part No. E145 (bar size 1.250)**



**CAD File Name E853**

**Part No. E853 (bar size 1.500)**



## Load Rating of Transfer Bar Guide Rollers

PART NUMBER	DYNAMIC LOAD	STATIC LOAD
E351R	4,860 Lbs.	5,240
E353R	7,770 Lbs.	8,000
E355R	11,000 Lbs.	11,300
E357R	12,300 Lbs.	13,600
E359R	12,300 Lbs.	13,600

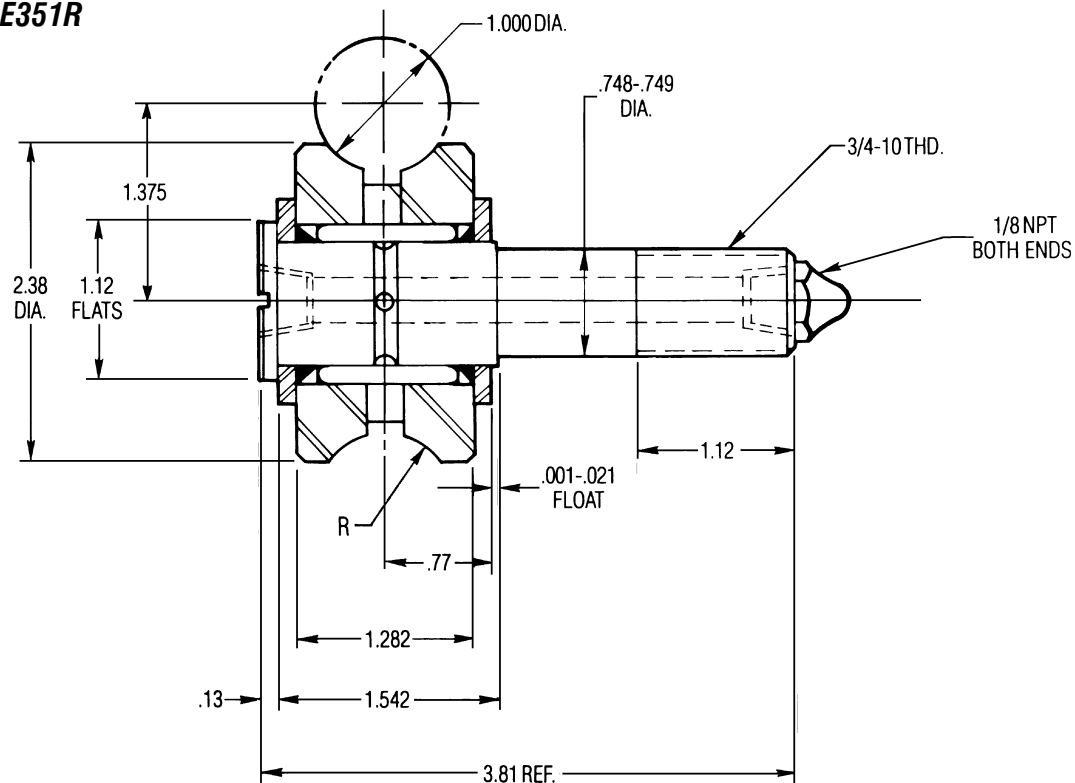
### Special Transfer Bar Guide Rolls

If our standard Transfer Bar Guide Rolls don't meet your needs, we can provide custom rolls to your specifications. Send us your print or a sketch with a request for quotation. If you need engineering or technical assistance, please call us directly.

## Radius Transfer Bar Guide Roll

CAD File Name E351R

Part No. E351R

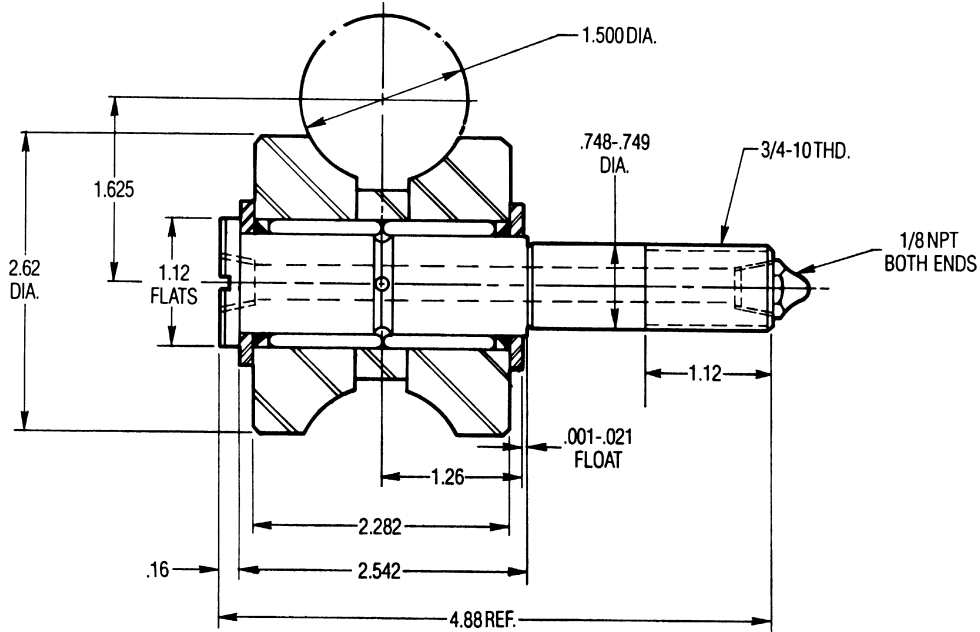


CAD Directory  
 Mach-Tool\TransBar

# Radius Transfer Bar Guide Rolls

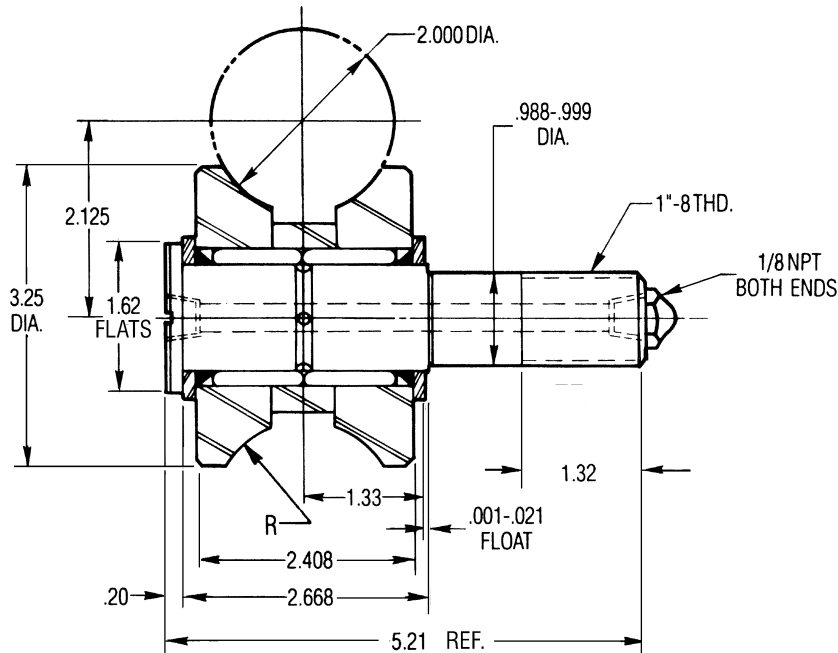
**CAD File Name E353R**

**Part No. E353R**



**CAD File Name E355R**

**Part No. E355R**

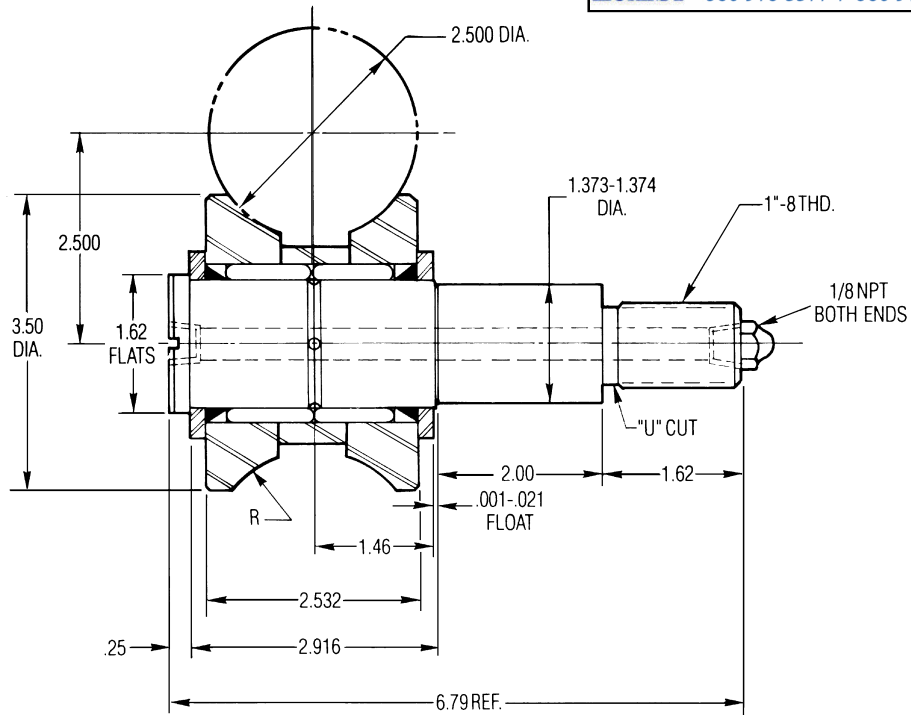


# Radius Transfer Bar Guide Rolls

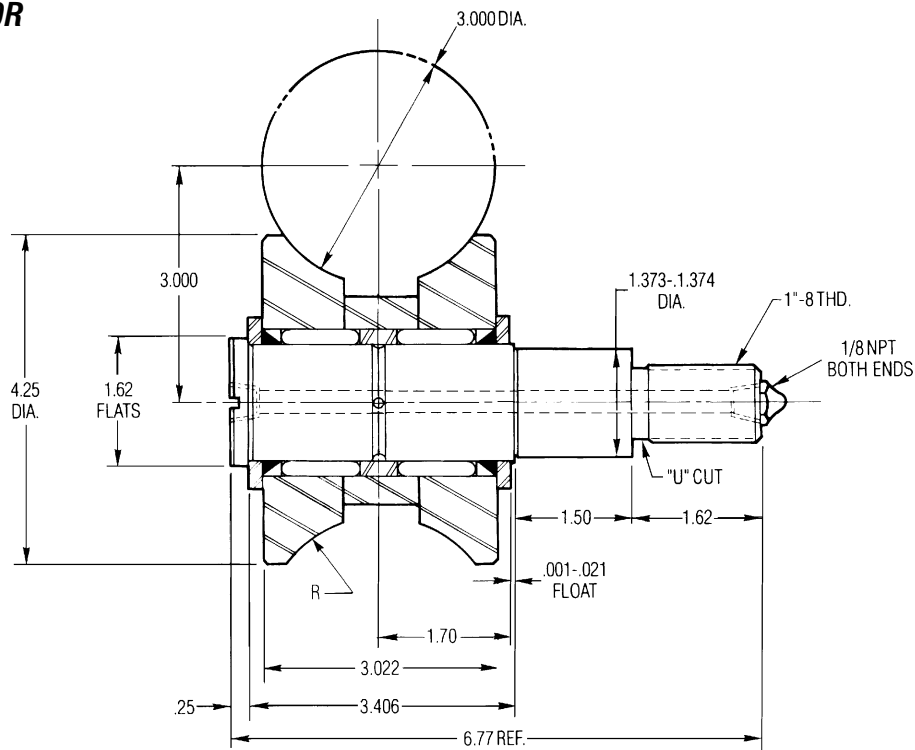


**CAD File Name E357R**  
**Part No. E357R**

**E&ESP** E&E SPECIAL PRODUCTS  
 7200 MILLER DRIVE  
 WARREN, MI 48092  
 586-978-3377 / 586-978-3378 FAX



**CAD File Name E359R**  
**Part No. E359R**



**CAD Directory**  
 Mach-Tool\TransBar

**Machine Tool Components**