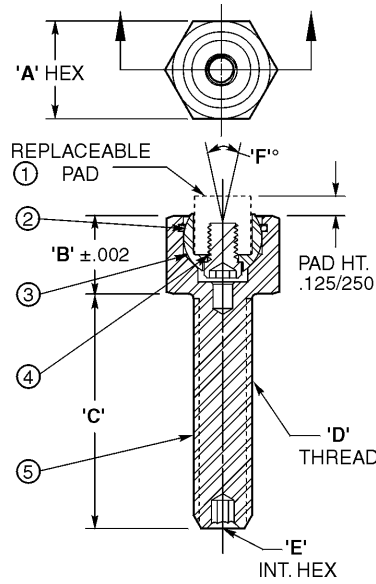


# Swivots-Hex Head Adjustable



| REPLACEABLE PAD STYLE HEX HEAD DESIGN |                   |            |           |              |            |           |                 |          |                    |           |           |              |                   |             |
|---------------------------------------|-------------------|------------|-----------|--------------|------------|-----------|-----------------|----------|--------------------|-----------|-----------|--------------|-------------------|-------------|
|                                       |                   | ASSEMBLIES |           |              |            |           |                 |          | COMPONENTS         |           |           |              |                   |             |
| CAD FILE NAME                         | PART NUMBER       | A HEX      | B HEAD HT | C THD LENGTH | D THD SIZE | E INT HEX | F DEGREE SWIVEL | BALL DIA | 1* REPLACE PAD DIA | 2 O-RING  | 3 BALL    | 4 LOCK SCREW | 5 HOUSING         | LOAD RATING |
| EBUH0230                              | EBUH-0230         | 5/8        | 1/2       | 1/2          | 3/8-24     | 1/8       | 22'             | 1/2      | 3/8                | EBUR-500  | EBUB-500  | EBUS-500     | EBUH-0230-H       | 3446        |
|                                       | EBUH-0231         | 5/8        | 1/2       | 1            | 3/8-24     | 1/8       | 22'             | 1/2      | 3/8                | EBUR-500  | EBUB-500  | EBUS-500     | EBUH-0231-H       | 3446        |
|                                       | EBUH-0231 x 1 1/2 | 5/8        | 1/2       | 1 1/2        | 3/8-24     | 1/8       | 22'             | 1/2      | 3/8                | EBUR-500  | EBUB-500  | EBUS-500     | EBUH-0231-1 1/2-H | 3446        |
|                                       | EBUH-0370         | 5/8        | 1/2       | 1/2          | 3/8-16     | 1/8       | 22'             | 1/2      | 3/8                | EBUR-500  | EBUB-500  | EBUS-500     | EBUH-0370-H       | 3446        |
|                                       | EBUH-0375         | 5/8        | 1/2       | 1            | 3/8-16     | 1/8       | 22'             | 1/2      | 3/8                | EBUR-500  | EBUB-500  | EBUS-500     | EBUH-0375-H       | 3446        |
|                                       | EBUH-0375 x 1 1/2 | 5/8        | 1/2       | 1 1/2        | 3/8-16     | 1/8       | 22'             | 1/2      | 3/8                | EBUR-500  | EBUB-500  | EBUS-500     | EBUH-0375-1 1/2-H | 3446        |
| EBUH0240                              | EBUH-0240         | 13/16      | 5/8       | 1            | 1/2-20     | 3/16      | 24'             | 5/8      | 1/2                | EBUR-600  | EBUB-600  | EBUS-600     | EBUH-0240-H       | 7178        |
|                                       | EBUH-0500         | 13/16      | 5/8       | 1 1/2        | 1/2-20     | 3/16      | 24'             | 5/8      | 1/2                | EBUR-600  | EBUB-600  | EBUS-600     | EBUH-0500-H       | 7178        |
|                                       | EBUH-0510         | 13/16      | 5/8       | 1            | 1/2-13     | 3/16      | 24'             | 5/8      | 1/2                | EBUR-600  | EBUB-600  | EBUS-600     | EBUH-0510-H       | 5937        |
|                                       | EBUH-0515         | 13/16      | 5/8       | 1 1/2        | 1/2-13     | 3/16      | 24'             | 5/8      | 1/2                | EBUR-600  | EBUB-600  | EBUS-600     | EBUH-0515-H       | 5937        |
| EBUH0620                              | EBUH-0620         | 15/16      | 11/16     | 1            | 5/8-18     | 1/4       | 22'             | 3/4      | 5/8                | EBUR-700  | EBUB-700  | EBUS-700     | EBUH-0620-H       | 11874       |
|                                       | EBUH-0620 x 2     | 15/16      | 11/16     | 2            | 5/8-18     | 1/4       | 22'             | 3/4      | 5/8                | EBUR-700  | EBUB-700  | EBUS-700     | EBUH-0620-2-H     | 11874       |
|                                       | EBUH-0625         | 15/16      | 11/16     | 1            | 5/8-18     | 1/4       | 22'             | 3/4      | 5/8                | EBUR-700  | EBUB-700  | EBUS-700     | EBUH-0625-H       | 9932        |
|                                       | EBUH-0625 x 2     | 15/16      | 11/16     | 2            | 5/8-18     | 1/4       | 22'             | 3/4      | 5/8                | EBUR-700  | EBUB-700  | EBUS-700     | EBUH-0625-2-H     | 9932        |
| EBUH0750                              | EBUH-0750         | 1 1/8      | 3/4       | 1            | 3/4-16     | 5/16      | 20'             | 7/8      | 3/4                | EBUR-800  | EBUB-800  | EBUS-800     | EBUH-0750-H       | 13565       |
|                                       | EBUH-0750 x 2 1/2 | 1 1/8      | 3/4       | 2 1/2        | 3/4-16     | 5/16      | 20'             | 7/8      | 3/4                | EBUR-800  | EBUB-800  | EBUS-800     | EBUH-0750-2 1/2-H | 13565       |
|                                       | EBUH-0755         | 1 1/8      | 3/4       | 1            | 3/4-10     | 5/16      | 20'             | 7/8      | 3/4                | EBUR-800  | EBUB-800  | EBUS-800     | EBUH-0755-H       | 14862       |
|                                       | EBUH-0755 x 2 1/2 | 1 1/8      | 3/4       | 2 1/2        | 3/4-10     | 5/16      | 20'             | 7/8      | 3/4                | EBUR-800  | EBUB-800  | EBUS-800     | EBUH-0755-2 1/2-H | 14862       |
| EBUH11142                             | EBUH-1114 x 2     | 1 1/2      | 7/8       | 2            | 1-14       | 3/8       | 22'             | 1 1/8    | 1                  | EBUR-1100 | EBUB-1100 | EBUS-1100    | EBUH-1114-2-H     | 26234       |
|                                       | EBUH-1114 x 4     | 1 1/2      | 7/8       | 4            | 1-14       | 3/8       | 22'             | 1 1/8    | 1                  | EBUR-1100 | EBUB-1100 | EBUS-1100    | EBUH-1114-4-H     | 26234       |
|                                       | EBUH-1108 x 2     | 1 1/2      | 7/8       | 2            | 1-8        | 3/8       | 22'             | 1 1/8    | 1                  | EBUR-1100 | EBUB-1100 | EBUS-1100    | EBUH-1108-2-H     | 28158       |
|                                       | EBUH-1108 x 4     | 1 1/2      | 7/8       | 4            | 1-8        | 3/8       | 22'             | 1 1/8    | 1                  | EBUR-1100 | EBUB-1100 | EBUS-1100    | EBUH-1108-4-H     | 28158       |

\*MUST PURCHASE REPLACEABLE PAD SEPARATELY (REFER TO PAGE D-42, D-45, D-46 OR D-55).

## CAD Directory

Mach-Tool\Grippers

Note: The shortest standard components is given, you may "stretch" the unit to the desired length.