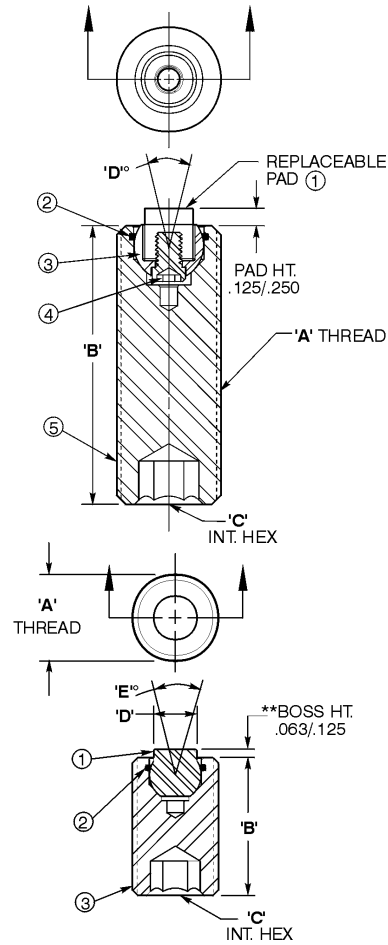


Swivots-Threaded Designs

REPLACEABLE PAD STYLE						
ASSEMBLIES						
CAD FILE NAME	PART NUMBER	A THREAD	B LENGTH	C INT HEX	D DEGREE SWIVEL	BALL DIA
ETBU0750	EBU-0750	3/4-16	1	3/8	22°	1/2
	EBU-0750x2	3/4-16	2	3/8	22°	1/2
	EBU-0750x3	3/4-16	3	3/8	22°	1/2
	EBU-0755	3/4-10	1	3/8	22°	1/2
	EBU-0755x2	3/4-10	2	3/8	22°	1/2
	EBU-0755x3	3/4-10	3	3/8	22°	1/2



COMPONENTS					
1" REPLACE PAD DIA	2 O-RING	3 BSLL	4 LOCK SCREW	5 HOUSING	LOAD RATING
3/8	EBUR-500	EBUB-500	EBUS-500	ETBU-0750-H	8150
3/8	EBUR-500	EBUB-500	EBUS-500	ETBU-0750x2-H	8150
3/8	EBUR-500	EBUB-500	EBUS-500	ETBU-0750x2-H	8150
3/8	EBUR-500	EBUB-500	EBUS-500	ETBU-0755-H	8150
3/8	EBUR-500	EBUB-500	EBUS-500	ETBU-0755x2-H	8150
3/8	EBUR-500	EBUB-500	EBUS-500	ETBU-0755x3-H	8150
5/8	EBUR-700	EBUB-700	EBUS-700	ETBU-1114x2-H	17210
5/8	EBUR-700	EBUB-700	EBUS-700	ETBU-1114x3-H	17210
1/2	EBUR-600	EBUB-600	EBUS-600	ETBU-1108x2-H	14757
1/2	EBUR-600	EBUB-600	EBUS-600	ETBU-1108x3-H	14757

*MUST PURCHASE REPLACEABLE PAD SEPARATELY (REFER TO PAGE D-42, D-45, D-46 OR D-55).

REPLACEABLE BALL STYLE												
ASSEMBLIES							COMPONENTS					
CAD FILE NAME	PART NUMBER	A THREAD	B LENGTH	C INT HEX	D BOSS DIA.	E DEGREE SWIVEL	BALL DIA	1 BALL	2 O-RING	3 HOUSING	AVAIL TOOTH PATTERN	LOAD RATING
ETBU0230F or ETBU0230S	ETBU-0230-(*)-**	3/8-24	1/2	3/16	5/32	28°	3/16	EBUB-100-(*)-**	EBUR-100	ETBU-0230-H	SF	1763
	ETBU-0231-(*)-**	3/8-24	1	3/16	5/32	28°	3/16	EBUB-100-(*)-**	EBUR-100	ETBU-0231-H	SF	1763
	ETBU-0231x2-(*)-**	3/8-24	2	3/16	5/32	28°	3/16	EBUB-100-(*)-**	EBUR-100	ETBU-0231x2-H	SF	1763
	ETBU-0231x3-(*)-**	3/8-24	3	3/16	5/32	28°	3/16	EBUB-100-(*)-**	EBUR-100	ETBU-0231x3-H	SF	1763
	ETBU-0370-(*)-**	3/8-16	1/2	3/16	5/32	28°	3/16	EBUB-100-(*)-**	EBUR-100	ETBU-0370-H	SF	1763
	ETBU-0375-(*)-**	3/8-16	1	3/16	5/32	28°	3/16	EBUB-100-(*)-**	EBUR-100	ETBU-0375-H	SF	1763
	ETBU-0375x2-(*)-**	3/8-16	2	3/16	5/32	28°	3/16	EBUB-100-(*)-**	EBUR-100	ETBU-0375x2-H	SF	1763
ETBU-0375x3-(*)-**	3/8-16	3	3/16	5/32	28°	3/16	EBUB-100-(*)-**	EBUR-100	ETBU-0375x3-H	SF	1763	
ETBU0503F or ETBU0503S	ETBU-0503-(*)-**	1/2-20	3/4	1/4	1/4	26°	9/32	EBUB-200-(*)-**	EBUR-200	ETBU-0503-H	EF/SF	4527
	ETBU-0500-(*)-**	1/2-20	1	1/4	1/4	26°	9/32	EBUB-200-(*)-**	EBUR-200	ETBU-0500-H	EF/SF	4527
	ETBU-0500-x2-(*)-**	1/2-20	2	1/4	1/4	26°	9/32	EBUB-200-(*)-**	EBUR-200	ETBU-0500x2-H	EF/SF	4527
	ETBU-0500-x3-(*)-**	1/2-20	3	1/4	1/4	26°	9/32	EBUB-200-(*)-**	EBUR-200	ETBU-0500x3-H	EF/SF	4527
	ETBU-0513-(*)-**	1/2-13	3/4	1/4	1/4	26°	9/32	EBUB-200-(*)-**	EBUR-200	ETBU-0513-H	EF/SF	4527
	ETBU-0510-(*)-**	1/2-13	1	1/4	1/4	26°	9/32	EBUB-200-(*)-**	EBUR-200	ETBU-0510-H	EF/SF	4527
	ETBU-0510-x2-(*)-**	1/2-13	2	1/4	1/4	26°	9/32	EBUB-200-(*)-**	EBUR-200	ETBU-0510x2-H	EF/SF	4527
ETBU-0510-x3-(*)-**	1/2-13	3	1/4	1/4	26°	9/32	EBUB-200-(*)-**	EBUR-200	ETBU-0510x3-H	EF/SF	4527	
ETBU0620F or ETBU0620S	ETBU-0620-(*)-**	5/8-18	1	5/16	5/16	28°	3/8	EBUB-300-(*)-**	EBUR-300	ETBU-0620-H	EF/SF	6131
	ETBU-0620-x2-(*)-**	5/8-18	2	5/16	5/16	28°	3/8	EBUB-300-(*)-**	EBUR-300	ETBU-0620x2-H	EF/SF	6131
	ETBU-0620-x3-(*)-**	5/8-18	3	5/16	5/16	28°	3/8	EBUB-300-(*)-**	EBUR-300	ETBU-0620x3-H	EF/SF	6131
	ETBU-0625-(*)-**	5/8-11	1	5/16	5/16	28°	3/8	EBUB-300-(*)-**	EBUR-300	ETBU-0625-H	EF/SF	6131
	ETBU-0625-x2-(*)-**	5/8-11	2	5/16	5/16	28°	3/8	EBUB-300-(*)-**	EBUR-300	ETBU-0625x2-H	EF/SF	6131
	ETBU-0625-x3-(*)-**	5/8-11	3	5/16	5/16	28°	3/8	EBUB-300-(*)-**	EBUR-300	ETBU-0625x3-H	EF/SF	6131
ETBU0750F or ETBU0750S	ETBU-0750-(*)-**	3/4-16	1	3/8	3/8	22°	1/2	EBUB-500-(*)-**	EBUR-500	ETBU-0750-H	EF/SF	8150
	ETBU-0750x2-(*)-**	3/4-16	2	3/8	3/8	22°	1/2	EBUB-500-(*)-**	EBUR-500	ETBU-0750x2-H	EF/SF	8150
	ETBU-0750x3-(*)-**	3/4-16	3	3/8	3/8	22°	1/2	EBUB-500-(*)-**	EBUR-500	ETBU-0750x3-H	EF/SF	8150
	ETBU-0755-(*)-**	3/4-10	1	3/8	3/8	22°	1/2	EBUB-500-(*)-**	EBUR-500	ETBU-0755-H	EF/SF	8150
	ETBU-0755x2-(*)-**	3/4-10	2	3/8	3/8	22°	1/2	EBUB-500-(*)-**	EBUR-500	ETBU-0755x2-H	EF/SF	8150
	ETBU-0755x3-(*)-**	3/4-10	3	3/8	3/8	22°	1/2	EBUB-500-(*)-**	EBUR-500	ETBU-0755x3-H	EF/SF	8150

(*)Must specify style of ball for assemblies or replacement balls by indicating "S" for Serrated, "SF" for Super Fine Serrations, "F" for Flat or "D" for Delrin.

CAD Directory

Mach-Tool/Grippers

Note: The shortest standard components is given, you may "stretch" the unit to the desired length.