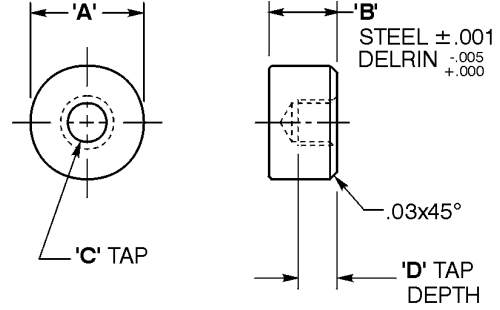


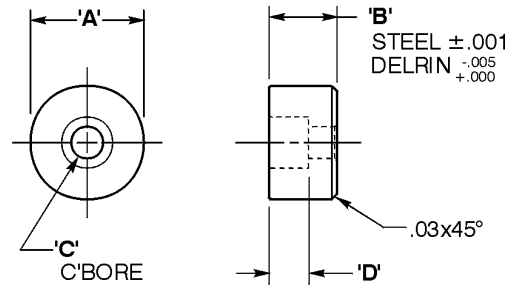
Rest Pads



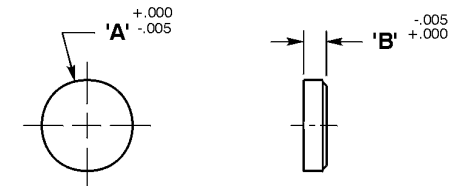
"ESRP" & "EDRP"-STEEL/DELIN-TAPPED						
CAD FILE NAME	STEEL PART NO.	DELIN PART NO.	A DIA	B	C TAP	D TAP DEPTH
ESRP30	ESRP-30	EDRP-30	5/16	3/8	#8-32	3/16
	ESRP-305	EDRP-305	5/16	1/2	#8-32	5/16
ESRP40	ESRP-40	EDRP-40	3/8	3/8	#10-32	3/16
	ESRP-405	EDRP-405	3/8	1/2	#10-32	5/16
ESRP50	ESRP-50	EDRP-50	1/2	3/8	#10-32	3/16
	ESRP-53	EDRP-53	1/2	1/2	#10-32	5/16
ESRP62	ESRP-62	EDRP-62	5/8	3/8	1/4-28	3/16
	ESRP-625	EDRP-625	5/8	1/2	1/4-28	5/16
ESRP75	ESRP-75	EDRP-75	3/4	3/8	1/4-28	3/16
	ESRP-755	EDRP-755	3/4	1/2	1/4-28	5/16
ESRP81	ESRP-81	EDRP-81	1	3/8	1/4-28	3/16
	ESRP-815	EDRP-815	1	1/2	1/4-28	5/16



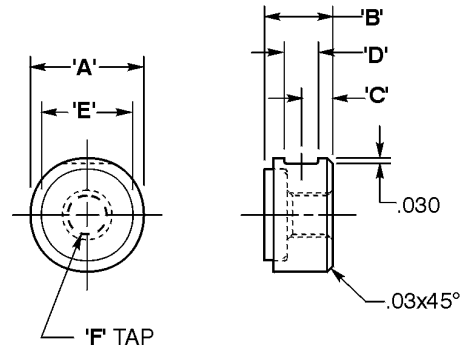
"ESRP" & "EDRP"-STEEL/DELIN-C'BORE						
CAD FILE NAME	STEEL PART NO.	DELIN PART NO.	A DIA	B	C C'BORE FOR	D C'BORE DEPTH
ESRP40C	ESRP-40-C	EDRP-40-C	3/8	3/8	#6 SHCS	3/16
	ESRP-405-C	EDRP-405-C	3/8	1/2	#6 SHCS	3/16
ESRP50C	ESRP-50-C	EDRP-50-C	1/2	3/8	#8 SHCS	7/32
	ESRP-53-C	EDRP-53-C	1/2	1/2	#8 SHCS	7/32
ESRP62C	ESRP-62-C	EDRP-62-C	5/8	3/8	#8 SHCS	7/32
	ESRP-625-C	EDRP-625-C	5/8	1/2	#8 SHCS	7/32
ESRP75C	ESRP-75-C	EDRP-75-C	3/4	3/8	#10 SHCS	1/4
	ESRP-755-C	EDRP-755-C	3/4	1/2	#10 SHCS	1/4
ESRP81C	ESRP-81-C	EDRP-81-C	1	3/8	1/4 SHCS	9/32
	ESRP-815-C	EDRP-815-C	1	1/2	1/4 SHCS	9/32



"ECC"-CARBIDE PADS			
CAD FILE NAME	PART NUMBER	A DIA	B
ECC1F	ECC-1F	1/4	1/8
ECC2F	ECC-2F	5/16	1/8
ECC3F	ECC-3F	3/8	1/8
ECC4F	ECC-4F	1/2	1/8
ECC5F	ECC-5F	5/8	1/8
ECC6F	ECC-6F	3/4	1/8



"ECRP"-CARBIDE TIPPED PADS							
CAD FILE NAME	PART NUMBER	A DIA	B	C	D	E	F TAP
ECRP40	ECRP-40	3/8	3/8	11/64	3/16	5/16	#10-32
ECRP405	ECRP-405	3/8	1/2	15/64	3/16	5/16	#10-32
ECRP50	ECRP-50	1/2	3/8	11/64	3/16	3/8	#10-32
ECRP53	ECRP-53	1/2	1/2	15/64	3/16	3/8	#10-32
ECRP62	ECRP-62	5/8	3/8	11/64	3/16	1/2	1/4-28
ECRP625	ECRP-625	5/8	1/2	15/64	3/16	1/2	1/4-28
ECRP75	ECRP-75	3/4	3/8	11/64	3/16	5/8	1/4-28
ECRP755	ECRP-755	3/4	1/2	15/64	3/16	5/8	1/4-28
ECRP81	ECRP-81	1	3/8	11/64	3/16	3/4	1/4-28



CAD Directory

Mach-Tool/Grippers

Note: The shortest standard components is given, you may "stretch" the unit to the desired length.