

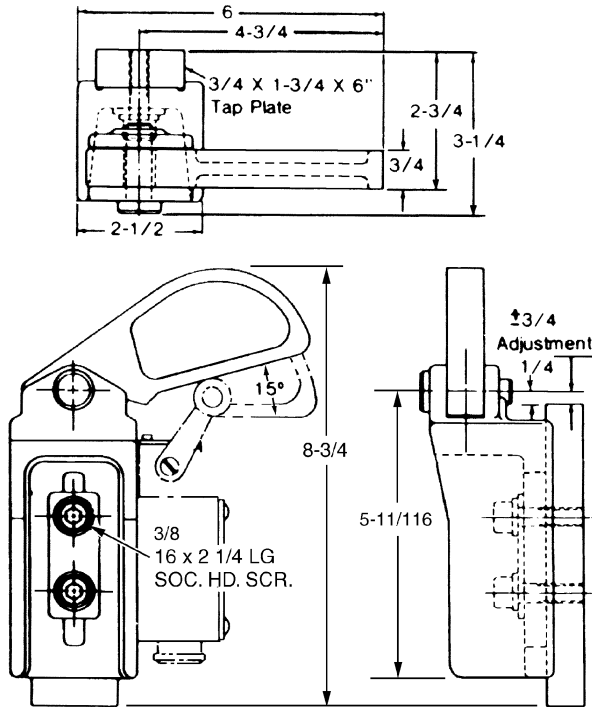
Limit Switch Actuators



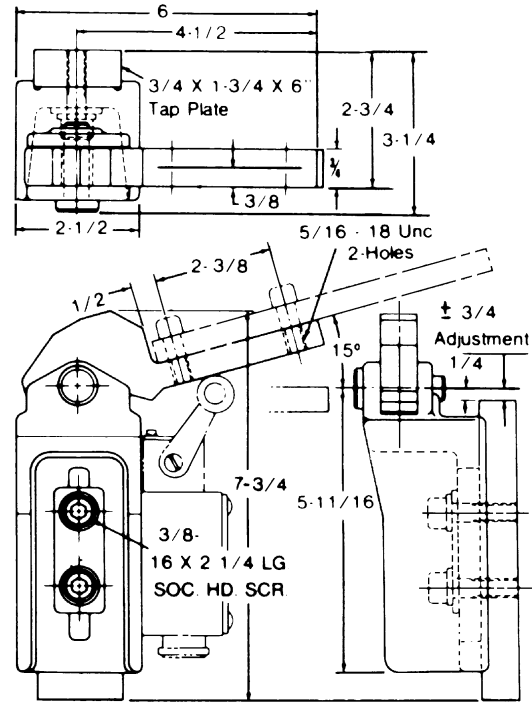
E&E SPECIAL PRODUCTS
7200 MILLER DRIVE
WARREN, MI 48092
586-978-3377 / 586-978-3378 FAX



CAD File Name A-50, A-51
Part No. A50 R.H. (shown), A51 L.H.



CAD File Name A-53, A-54
Part No. A53 R.H. (shown), A54 L.H.



These actuators are stocked less mounting holes.

They accommodate most of the popular standard and plug-in machine tool or heavy duty limit switches.

SPECIAL ORDERS FOR LIMIT SWITCH MOUNTING HOLES

When ordering limit switch with mounting holes in actuator, the following descriptive limit switch information is required:

Make (Trade Name) Allen-Bradley
Model or Type 802T-A1P
Series C

Heat Treated Arms up to (Rc 56-58) Available.

CAD File Name A-59, A-60
Part No. A59 R.H. (shown), A60 L.H.

