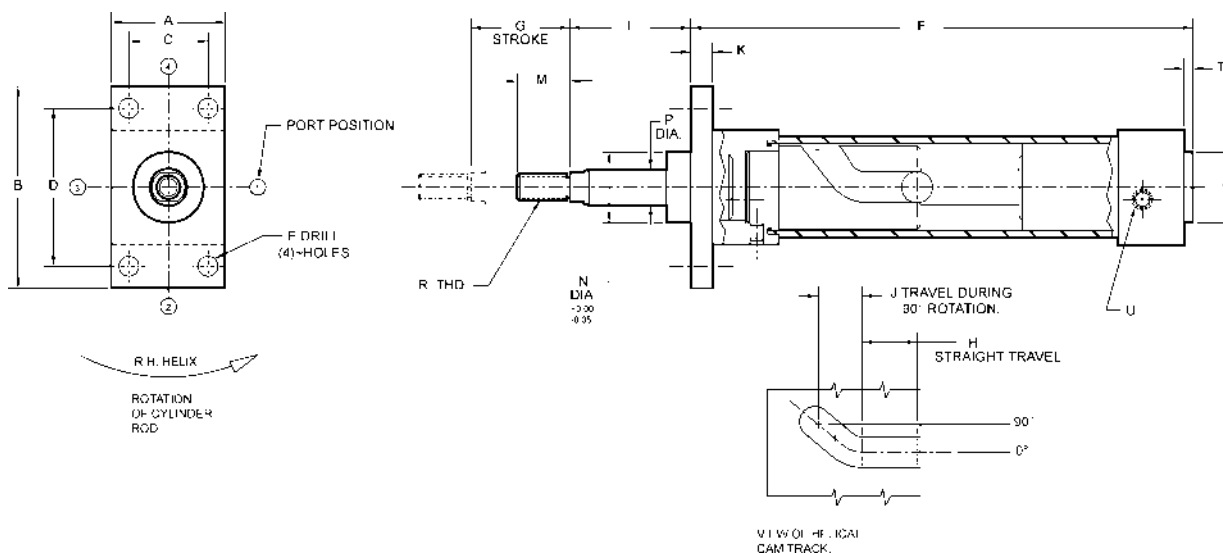


Metric Air Powered Internal Rota-Shaft



AIR POWERED																					
CAD FILE NAME	PART NUMBER	CYLINDER BORE	DIMENSIONS																		
			A	B	C	D	E	F	G	H	J	K	L	M	N	P	R	T	U	V	W
EM1640	EM16401-(R/L)	40	52.0	92.0	36.0	72.0	9.0	228.5	45.0	25.0	20.0	10.0	55.0	24.0	32.0	16.0	M12 x 1.25	4.0	(1/4) BSP/G	35.0	21.0
EM2050	EM20501-(R/L)	50	63.5	113.0	45.0	90.0	9.0	238.0	50.0	25.0	25.0	12.0	55.0	32.0	36.0	20.0	M16 x 1.50	4.0	(1/4) BSP/G	40.0	28.0
EM2063	EM20631-(R/L)	63	76.0	129.0	50.0	100.0	9.0	253.0	50.0	25.0	25.0	12.0	55.0	32.0	36.0	20.0	M16 x 1.50	4.0	(3/8) BSP/G	45.0	28.0
EM2580	EM25801-(R/L)	80	95.5	153.0	63.0	126.0	12.0	279.0	55.0	25.0	30.0	16.0	80.0	40.0	41.0	25.0	M20 x 1.50	4.0	(3/8) BSP/G	45.0	34.0

ISO 6431 AIR CYLINDER, MAXIMUM RECOMMENDED OPERATING PRESSURE = 10 bar
 MAX VELOCITY = 300 cm/min