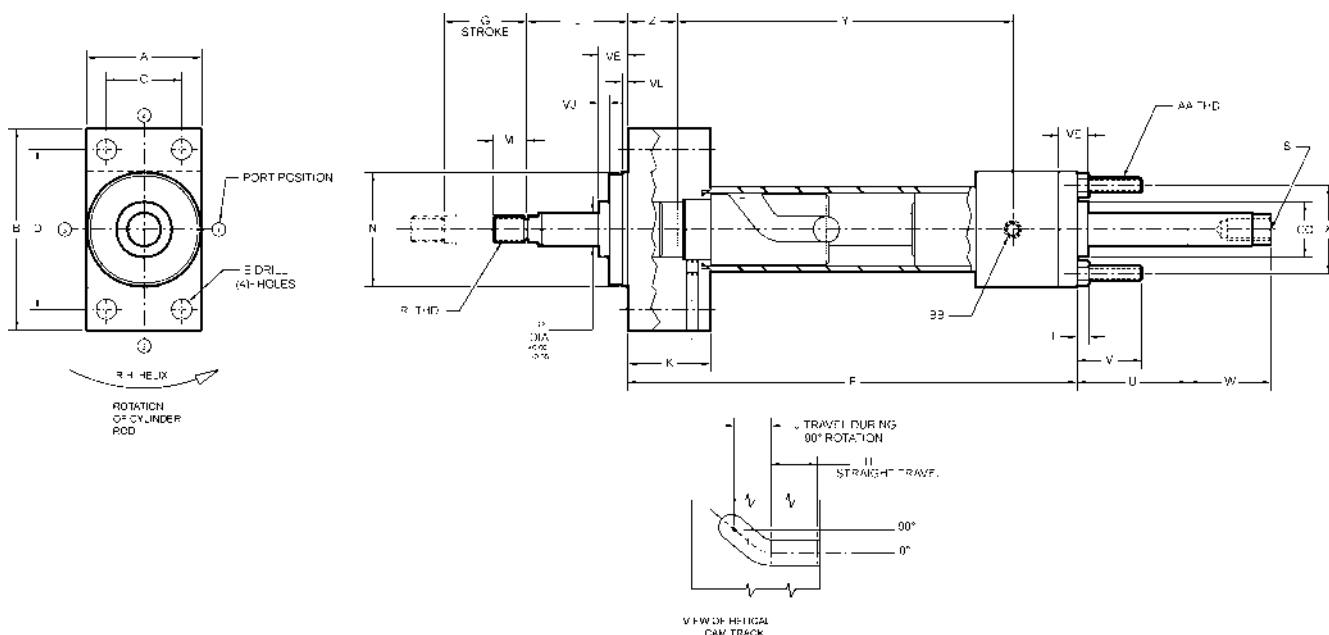


# Metric Hydraulic Powered Internal Rota-Shaft with Double Rod End



Metric



RIGHT HAND SHOWN, LEFT HAND ALSO STANDARD

HYDRAULIC POWERED																	
CAD FILE NAME	PART NUMBER	CYLINDER BORE	DIMENSIONS														
			A	B	C	D	E	F	G	H	J	K	L	M	N	P	R
EMH1840-DE	EMH-18401-DE-(R/L)	40	63.0	110.0	41.0	87.0	11.0	244.5	45.0	25.0	20.0	45.0	55.0	18.0	62.0	18.0	M14 x 1.50
EMH2250-DE	EMH-22501-DE-(R/L)	50	75.0	130.0	52.0	105.0	14.0	257.0	50.0	25.0	25.0	45.0	55.0	22.0	74.0	22.0	M16 x 1.50
EMH2863-DE	EMH-28631-DE-(R/L)	63	90.0	145.0	65.0	117.0	14.0	259.0	55.0	25.0	30.0	45.0	55.0	28.0	75.0	28.0	M20 x 1.50

HYDRAULIC POWERED																
CAD FILE NAME	PART NUMBER	CYLINDER BORE	DIMENSIONS													
			S	T	U	V	W	X	Y	Z	VJ	VE	VL	AA	BB	CC
EMH1840-DE	EMH-18401-DE-(R/L)	40	M12 x 1.25	6.5	25.0	35.0	45.0	38.0	184.5	15.0	6.0	16.0	3.0	M6 X 1.00	(3/8) BSP/G	30.0
EMH2250-DE	EMH-22501-DE-(R/L)	50	M16 x 1.50	10.0	25.0	46.0	50.0	46.5	188.0	17.0	6.0	22.0	4.0	M8 X 1.25	(1/2) BSP/G	34.0
EMH2863-DE	EMH-28631-DE-(R/L)	63	M20 x 1.50	10.0	32.0	46.0	55.0	56.5	205.0	16.0	6.0	22.0	4.0	M8 X 1.25	(1/2) BSP/G	42.0

ISO 6020/2 HYDRAULIC CYLINDER, MAXIMUM RECOMMENDED OPERATING PRESSURE = 210 bar  
 MAX VELOCITY = 300 cm/min

**E&E SPECIAL PRODUCTS**  
 7200 MILLER DRIVE  
 WARREN, MI 48092  
**E&ESP 586-978-3377 / 586-978-3378 FAX**