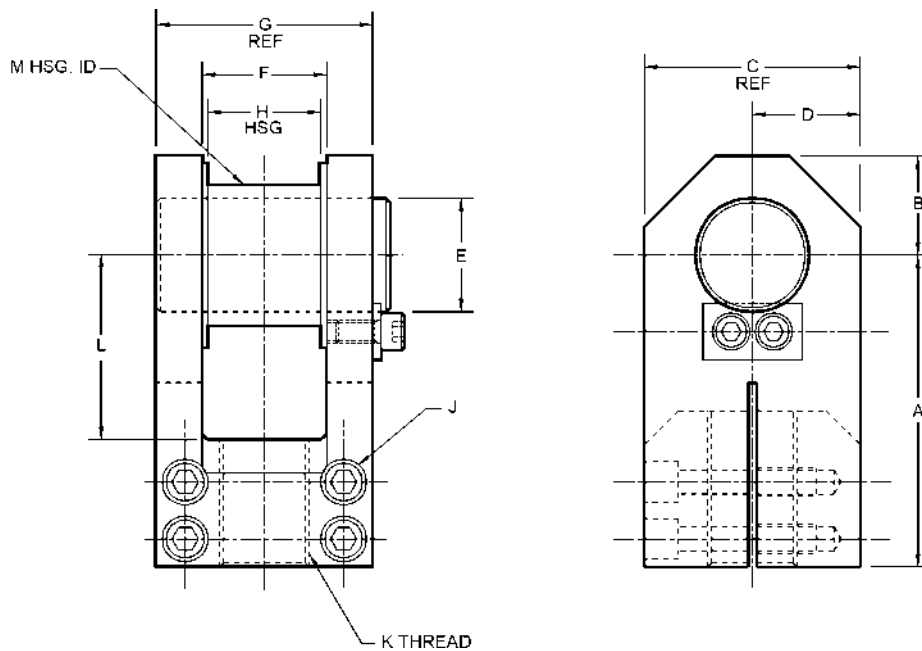


Metric Cylinder Clevis



CAD FILE NAME	PART NUMBER	A	B	C	D	E	F	G	H	J	K	L	M
E4711T	E-4711	60.0	20.0	45	22.2	20.0	24	51	20	M8 x 1.25 x 25 LG (2)	M10 x 1.25	35	30.013/30.000
E4712T	E-4712	60.0	20.0	45	22.2	20.0	24	51	20	M8 x 1.25 x 25 LG (2)	M12 x 1.25	35	30.013/30.000
E4713T	E-4713	85.0	25.0	51	25.4	25.0	34	63	30	M10 x 1.50 x 30 LG (2)	M16 x 1.5	45	35.013/35.000
E4713AT	E-4713-A	85.0	25.0	51	25.4	25.0	34	63	30	M10 x 1.50 x 30 LG (2)	M18 x 1.5	45	35.013/35.000
E4714T	E-4714	85.0	25.0	51	25.4	25.0	34	63	30	M10 x 1.50 x 30 LG (2)	M20 x 1.5	45	35.013/35.000
E4715T	E-4715	110.0	35.0	76	38.1	40.0	44	76	40	M10 x 1.50 x 45 LG (4)	M27 x 2.0	55	50.025/50.000
E4716AT	E-4716-A	110.0	35.0	76	38.1	40.0	44	76	40	M10 x 1.50 x 45 LG (4)	M30 x 1.5	55	50.025/50.000
E4716T	E-4716	110.0	35.0	76	38.1	40.0	44	76	40	M10 x 1.50 x 45 LG (4)	M33 x 2.0	55	50.025/50.000
E4717T	E-4717	135.0	40.0	76	38.1	40.0	54	102	50	M10 x 1.50 x 45 LG (4)	M36 x 2.0	60	50.025/50.000
E4718T	E-4718	150.0	50.0	89	44.4	50.0	64	115	60	M10 x 1.50 x 55 LG (4)	M42 x 2.0	80	60.025/60.000
E4719T	E-4719	150.0	50.0	89	44.4	50.0	64	115	60	M10 x 1.50 x 55 LG (4)	M48 x 2.0	80	60.025/60.000
E4720T	E-4720	190.0	50.0	102	50.8	50.0	84	152	80	M10 x 1.50 x 65 LG (6)	M64 x 3.0	85	60.025/60.000

NOTE:

Clevis is provided with Dixon CJ Bearings, a non-metallic bearing that excels under high loads and provides dry lubrication with high reliability.

Bronze thrust washers are provided with stock for fit at assembly.