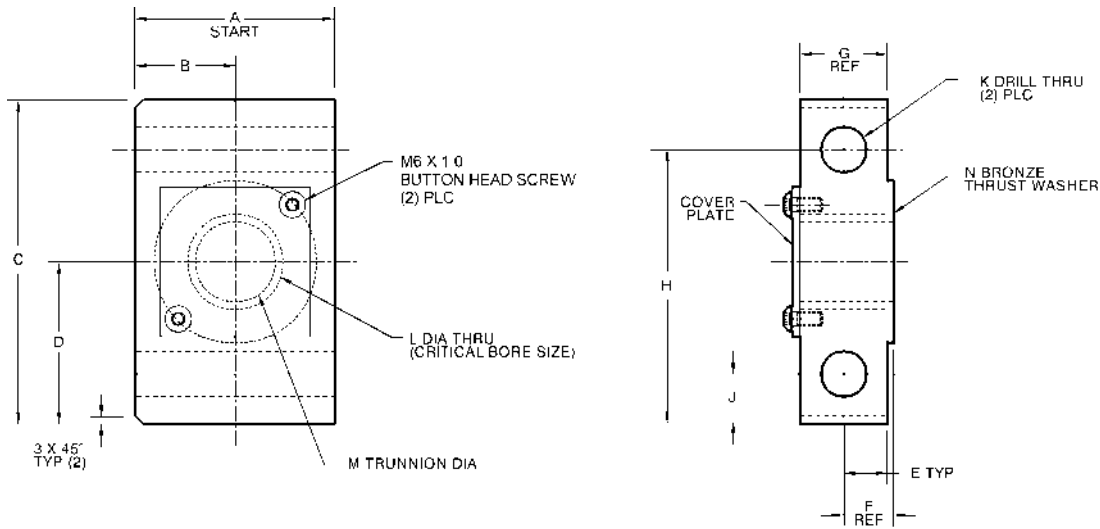


# Metric Trunnion Block



**Metric**

| CAD FILE NAME | PART NUMBER | A   | B  | C   | D     | E    | F    | G    | H   | J  | K  | L               | M   | N               |
|---------------|-------------|-----|----|-----|-------|------|------|------|-----|----|----|-----------------|-----|-----------------|
| E-4721T       | E-4721      | 67  | 35 | 80  | 40.0  | 10.0 | 12.5 | 20.0 | 70  | 10 | 9  | 22.013/22.000   | 12  | 12 ID x 35 OD   |
| E-4722T       | E-4722      | 67  | 35 | 80  | 40.0  | 10.0 | 12.5 | 20.0 | 70  | 10 | 9  | 22.013/22.000   | 16  | 16 ID x 40 OD   |
| E-4722AT      | E-4722-A    | 67  | 35 | 80  | 40.0  | 10.0 | 12.5 | 20.0 | 70  | 10 | 9  | 25.013/25.000   | 18  | 18 ID x 45 OD   |
| E-4723T       | E-4723      | 67  | 35 | 80  | 40.0  | 10.0 | 12.5 | 20.0 | 70  | 10 | 11 | 30.013/30.000   | 20  | 20 ID x 45 OD   |
| E-4724T       | E-4724      | 67  | 35 | 100 | 50.0  | 12.5 | 15.0 | 25.0 | 85  | 15 | 14 | 35.013/35.000   | 25  | 25 ID x 50 OD   |
| E-4725T       | E-4725      | 80  | 40 | 130 | 65.0  | 17.5 | 20.0 | 35.0 | 110 | 20 | 18 | 38.013/38.000   | 32  | 32 ID x 60 OD   |
| E-4725AT      | E-4725-A    | 80  | 40 | 130 | 65.0  | 17.5 | 20.0 | 35.0 | 110 | 20 | 18 | 41.275/41.262   | 36  | 36 ID x 60 OD   |
| E-4726T       | E-4726      | 80  | 40 | 130 | 65.0  | 17.5 | 20.0 | 35.0 | 110 | 20 | 18 | 50.025/50.000   | 40  | 40 ID x 65 OD   |
| E-4727T       | E-4727      | 106 | 55 | 175 | 87.5  | 25.0 | 27.5 | 50.0 | 150 | 25 | 26 | 60.025/60.000   | 50  | 50 ID x 75 OD   |
| E-4728T       | E-4728      | 106 | 55 | 175 | 87.5  | 25.0 | 27.5 | 50.0 | 150 | 25 | 26 | 73.025/73.000   | 63  | 63 ID x 90 OD   |
| E-4729T       | E-4729      | 145 | 75 | 265 | 132.5 | 32.5 | 35.0 | 65.0 | 230 | 35 | 33 | 90.025/90.000   | 80  | 80 ID x 105 OD  |
| E-4730T       | E-4730      | 145 | 75 | 265 | 132.5 | 40.0 | 42.5 | 80.0 | 225 | 40 | 39 | 110.025/100.000 | 100 | 100 ID x 125 OD |

**NOTE:**

Trunnions are provided with Dixon CJ Bearings, a non-metallic bearing that excels under high loads and provides dry lubrication with high reliability.