

Metric Couplers

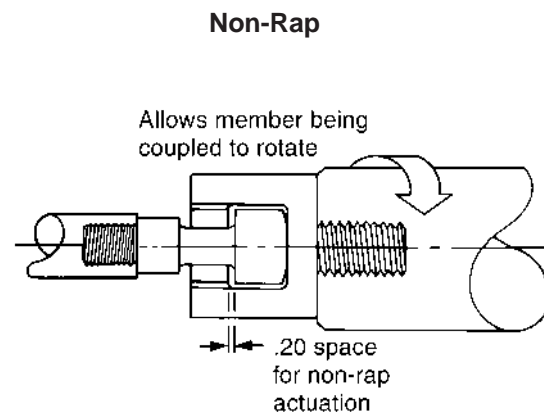
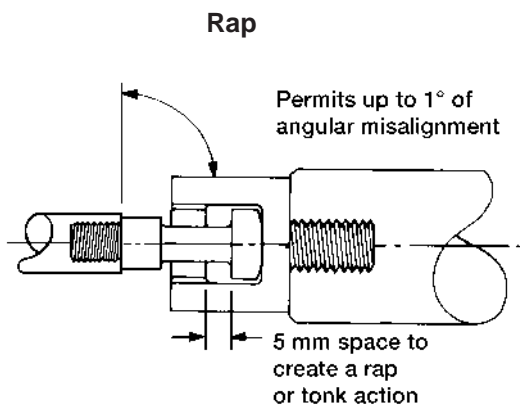


Features:

- 4140 Material
- Choice of Types
- Variety of Sizes
- Male or Female Threads
- Corresponding Adapters
- Black Oxide Finish



Types



E&E Metric Couplers are designed for use with our standard metric Adapters or comparable details. They are offered in thread sizes common to a range of standard metric cylinders. Rod ends compensate for angular misalignment and allow coupled member to rotate in both Rap and Non-Rap applications.

All dimensions are in mm

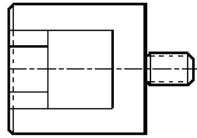


Metric Coupler Selection Chart

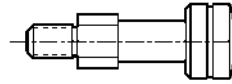
SCREW MOUNT



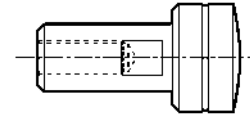
THREAD MOUNT



MALE THREAD



FEMALE THREAD

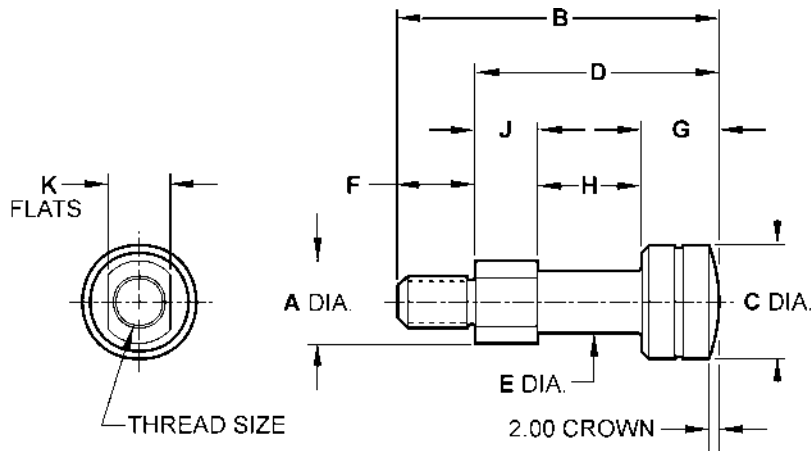


Metric

ADAPTER		COUPLER			
SCREW MOUNT	THREAD MOUNT	MALE THREAD		FEMALE THREAD	
		RAP	NON-RAP	RAP	NON-RAP
		EHM148	EHM151/EHM151A/EHM151B	EHM154/EHM154A/EHM154B	EHM155/EHM155A/EHM155B
EHM149	EHM152/EHM152A/EHM152B/EHM152C	EHM156/EHM156A/EHM156B/EHM156C	EHM157/EHM157A/EHM157B/EHM157C	EHM160/EHM160A/EHM160B	EHM161/EHM161A/EHM161B
EHM150	EHM153/EHM153A	EHM158/EHM158A/EHM158B	EHM159/EHM159A/EHM159B	EHM162/EHM162A	EHM163/EHM163A
EHM173	EHM174/EHM174A	EHM168/EHM168A	EHM167/EHM167A	EHM179/EHM179A	EHM164/EHM164A
EHM175	EHM176	EHM170	EHM169	EHM180/EHM180A	EHM165/EHM165A
EHM177	EHM178	EHM172/EHM172	EHM171	EHM181	EHM166

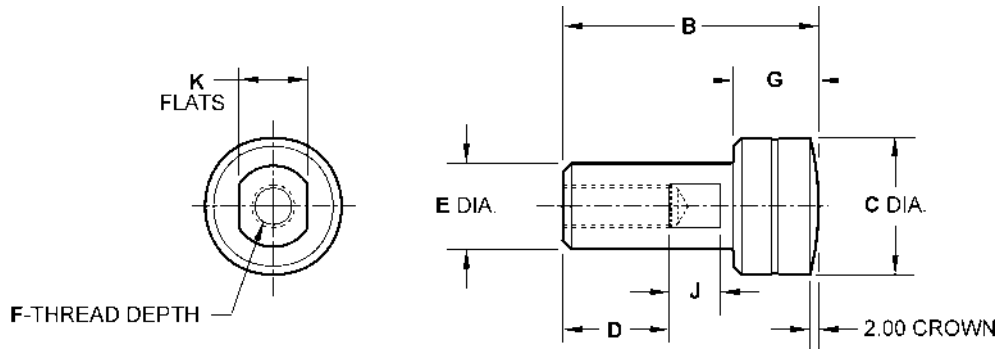
E&E SPECIAL PRODUCTS
7200 MILLER DRIVE
WARREN, MI 48092
586-978-3377 / 586-978-3378 FAX

Metric Coupler (Male Thread)



CAD FILE NUMBER	PART NUMBER	TYPE	THREAD	A	B	C	D	E	F	G	H	J	K
EHM154A	EHM-154A	RAP	M10 x 1.25 MALE	16.0	62.0	22.0	47.0	12.0	15.0	15.00	20.0	12.0	12.0
EHM155A	EHM-155A	NON-RAP	M10 x 1.25 MALE	16.0	62.0	22.0	47.0	12.0	15.0	19.80	15.0	12.0	12.0
EHM154	EHM-154	RAP	M10 x 1.5 MALE	16.0	62.0	22.0	47.0	12.0	15.0	15.00	20.0	12.0	12.0
EHM155	EHM-155	NON-RAP	M10 x 1.5 MALE	16.0	62.0	22.0	47.0	12.0	15.0	19.80	15.0	12.0	12.0
EHM154B	EHM-154B	RAP	M12 x 1.25 MALE	16.0	65.0	22.0	47.0	12.0	18.0	15.00	20.0	12.0	12.0
EHM155B	EHM-155B	NON-RAP	M12 x 1.25 MALE	16.0	65.0	22.0	47.0	12.0	18.0	19.80	15.0	12.0	12.0
EHM156C	EHM-156C	RAP	M14 x 1.5 MALE	25.0	80.0	32.0	60.0	20.0	20.0	20.00	28.0	12.0	22.0
EHM157C	EHM-157C	NON-RAP	M14 x 1.5 MALE	25.0	80.0	32.0	60.0	20.0	20.0	24.80	23.0	12.0	22.0
EHM156A	EHM-156A	RAP	M16 x 1.5 MALE	25.0	80.0	32.0	60.0	20.0	20.0	20.00	28.0	12.0	22.0
EHM157A	EHM-157A	NON-RAP	M16 x 1.5 MALE	25.0	80.0	32.0	60.0	20.0	20.0	24.80	23.0	12.0	22.0
EHM156B	EHM-156B	RAP	M18 x 1.5 MALE	25.0	85.0	32.0	60.0	20.0	25.0	20.00	28.0	12.0	22.0
EHM157B	EHM-157B	NON-RAP	M18 x 1.5 MALE	25.0	85.0	32.0	60.0	20.0	25.0	24.80	23.0	12.0	22.0
EHM156	EHM-156	RAP	M20 x 1.5 MALE	25.0	85.0	32.0	60.0	20.0	25.0	20.00	28.0	12.0	22.0
EHM157	EHM-157	NON-RAP	M20 x 1.5 MALE	25.0	85.0	32.0	60.0	20.0	25.0	24.80	23.0	12.0	22.0
EHM158B	EHM-158B	RAP	M24 x 2 MALE	32.0	105.0	40.0	70.0	25.0	35.0	25.00	30.0	15.0	28.0
EHM159B	EHM-159B	NON-RAP	M24 x 2 MALE	32.0	105.0	40.0	70.0	25.0	35.0	29.80	25.0	15.0	28.0
EHM158	EHM-158	RAP	M26 x 1.5 MALE	32.0	105.0	40.0	70.0	25.0	35.0	25.00	30.0	15.0	28.0
EHM159	EHM-159	NON-RAP	M26 x 1.5 MALE	32.0	105.0	40.0	70.0	25.0	35.0	29.80	25.0	15.0	28.0
EHM158A	EHM-158A	RAP	M27 x 2 MALE	32.0	105.0	40.0	70.0	25.0	35.0	25.00	30.0	15.0	28.0
EHM159A	EHM-159A	NON-RAP	M27 x 2 MALE	32.0	105.0	40.0	70.0	25.0	35.0	29.80	25.0	15.0	28.0
EHM168A	EHM-168A	RAP	M30 x 2 MALE	45.0	120.0	55.0	80.0	35.0	40.0	25.00	40.0	15.0	40.0
EHM167A	EHM-167A	NON-RAP	M30 x 2 MALE	45.0	120.0	55.0	80.0	35.0	40.0	29.80	35.0	15.0	40.0
EHM168	EHM-168	RAP	M33 x 2 MALE	45.0	125.0	55.0	80.0	35.0	45.0	25.00	40.0	15.0	40.0
EHM167	EHM-167	NON-RAP	M33 x 2 MALE	45.0	125.0	55.0	80.0	35.0	45.0	29.80	35.0	15.0	40.0
EHM170	EHM-170	RAP	M42 x 2 MALE	50.0	145.0	63.0	90.0	45.0	55.0	30.00	45.0	15.0	45.0
EHM169	EHM-169	NON-RAP	M42 x 2 MALE	50.0	145.0	63.0	90.0	45.0	55.0	34.80	40.0	15.0	45.0
EHM172	EHM-172	RAP	M48 x 2 MALE	60.0	155.0	70.0	95.0	50.0	60.0	35.00	45.0	15.0	55.0
EHM171	EHM-171	NON-RAP	M48 x 2 MALE	60.0	155.0	70.0	95.0	50.0	60.0	39.80	40.0	15.0	55.0

Metric Coupler (Female Thread)



Metric

CAD FILE NUMBER	PART NUMBER	TYPE	THREAD	B	C	D	E	F	G	J	K
EHM160A	EHM-160A	RAP	M10 x 1.25 FEMALE	60.0	32.0	25.0	20.0	25.0	20.00	12.0	16.0
EHM161A	EHM-161A	NON-RAP	M10 x 1.25 FEMALE	65.0	32.0	25.0	20.0	25.0	24.80	12.0	16.0
EHM160	EHM-160	RAP	M10 x 1.5 FEMALE	60.0	32.0	25.0	20.0	20.0	20.00	12.0	16.0
EHM161	EHM-161	NON-RAP	M10 x 1.5 FEMALE	65.0	32.0	25.0	20.0	20.0	24.80	12.0	16.0
EHM160B	EHM-160B	RAP	M12 x 1.25 FEMALE	60.0	32.0	25.0	20.0	25.0	20.00	12.0	16.0
EHM161B	EHM-161B	NON-RAP	M12 x 1.25 FEMALE	65.0	32.0	25.0	20.0	25.0	24.80	12.0	16.0
EHM162	EHM-162	RAP	M14 x 1.5 FEMALE	70.0	40.0	25.0	25.0	32.0	25.00	14.0	22.0
EHM163	EHM-163	NON-RAP	M14 x 1.5 FEMALE	75.0	40.0	25.0	25.0	32.0	29.80	14.0	22.0
EHM162A	EHM-162A	RAP	M16 x 1.5 FEMALE	70.0	40.0	25.0	25.0	32.0	25.00	14.0	22.0
EHM163A	EHM-163A	NON-RAP	M16 x 1.5 FEMALE	75.0	40.0	25.0	25.0	32.0	29.80	14.0	22.0
EHM179A	EHM-179A	RAP	M20 x 1.5 FEMALE	100.0	55.0	45.0	35.0	40.0	25.00	15.0	32.0
EHM164A	EHM-164A	NON-RAP	M20 x 1.5 FEMALE	105.0	55.0	45.0	35.0	40.0	29.80	15.0	32.0
EHM179	EHM-179	RAP	M26 x 1.5 FEMALE	100.0	55.0	45.0	35.0	45.0	25.00	15.0	32.0
EHM164	EHM-164	NON-RAP	M26 x 1.5 FEMALE	105.0	55.0	45.0	35.0	45.0	29.80	15.0	32.0
EHM180A	EHM-180A	RAP	M27 x 2 FEMALE	115.0	63.0	65.0	45.0	55.0	30.00	14.0	38.0
EHM165A	EHM-165A	NON-RAP	M27 x 2 FEMALE	120.0	63.0	65.0	45.0	55.0	34.80	14.0	38.0
EHM180	EHM-180	RAP	M33 x 2 FEMALE	115.0	63.0	65.0	45.0	48.0	30.00	14.0	38.0
EHM165	EHM-165	NON-RAP	M33 x 2 FEMALE	120.0	63.0	65.0	45.0	48.0	34.80	14.0	38.0
EHM181	EHM-181	RAP	M36 x 2 FEMALE	125.0	70.0	70.0	50.0	75.0	35.00	14.0	45.0
EHM166	EHM-166	NON-RAP	M36 x 2 FEMALE	130.0	70.0	70.0	50.0	75.0	39.80	14.0	45.0

E&E SPECIAL PRODUCTS
 7200 MILLER DRIVE
 WARREN, MI 48092
 586-978-3377 / 586-978-3378 FAX