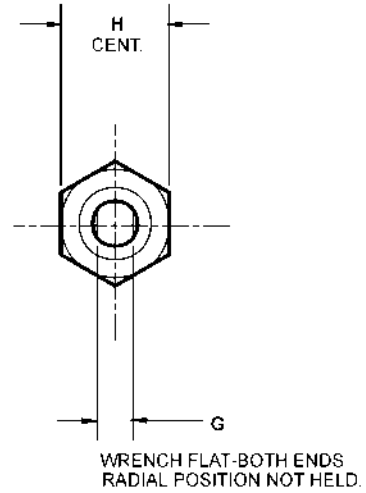
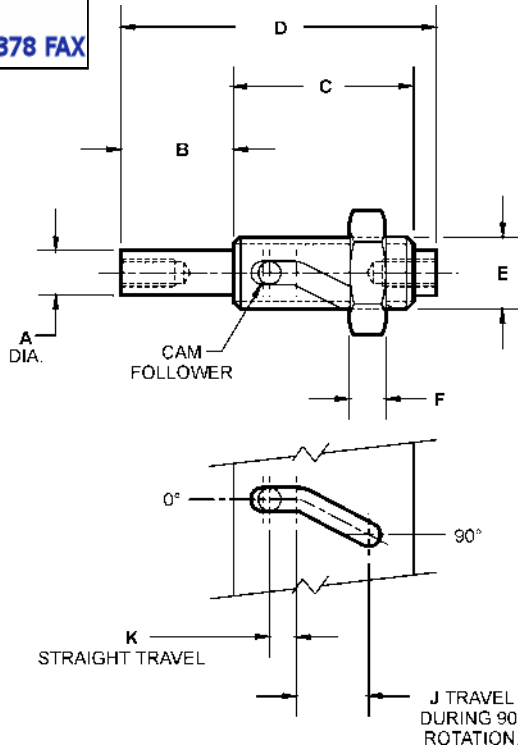
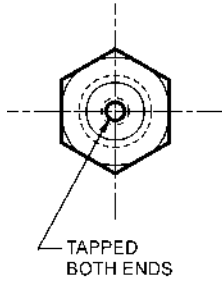




Metric Mini Non - Powered Rota - Shaft Clamps

E&ESP E&E SPECIAL PRODUCTS
 7200 MILLER DRIVE
 WARREN, MI 48092
 586-978-3377 / 586-978-3378 FAX



Metric

| CAD FILE NAME | PART NUMBER | TAP BOTH ENDS | DIMENSIONS | | | | | | | | | |
|---------------|-------------|---------------|----------------|------|------|-------|-----------|------|------|------|------|------|
| | | | A | B | C | D | E | F | G | H | J | K |
| EM1208 | EM-1208-R/L | M4 x 0.7 | 7.90 ±0.03 | 25.0 | 40.0 | 70.0 | M16 x 1.5 | 8.0 | 6.0 | 24.0 | 15.0 | 5.0 |
| EM1210 | EM-1210-R/L | M6 x 1.0 | 9.90 ±0.03 | 30.0 | 45.0 | 80.0 | M20 x 1.5 | 10.0 | 8.0 | 30.0 | 15.0 | 10.0 |
| EM1212 | EM-1212-R/L | M8 x 1.25 | 11.90 ±0.03 | 40.0 | 50.0 | 100.0 | M24 x 2.0 | 12.0 | 10.0 | 36.0 | 15.0 | 15.0 |