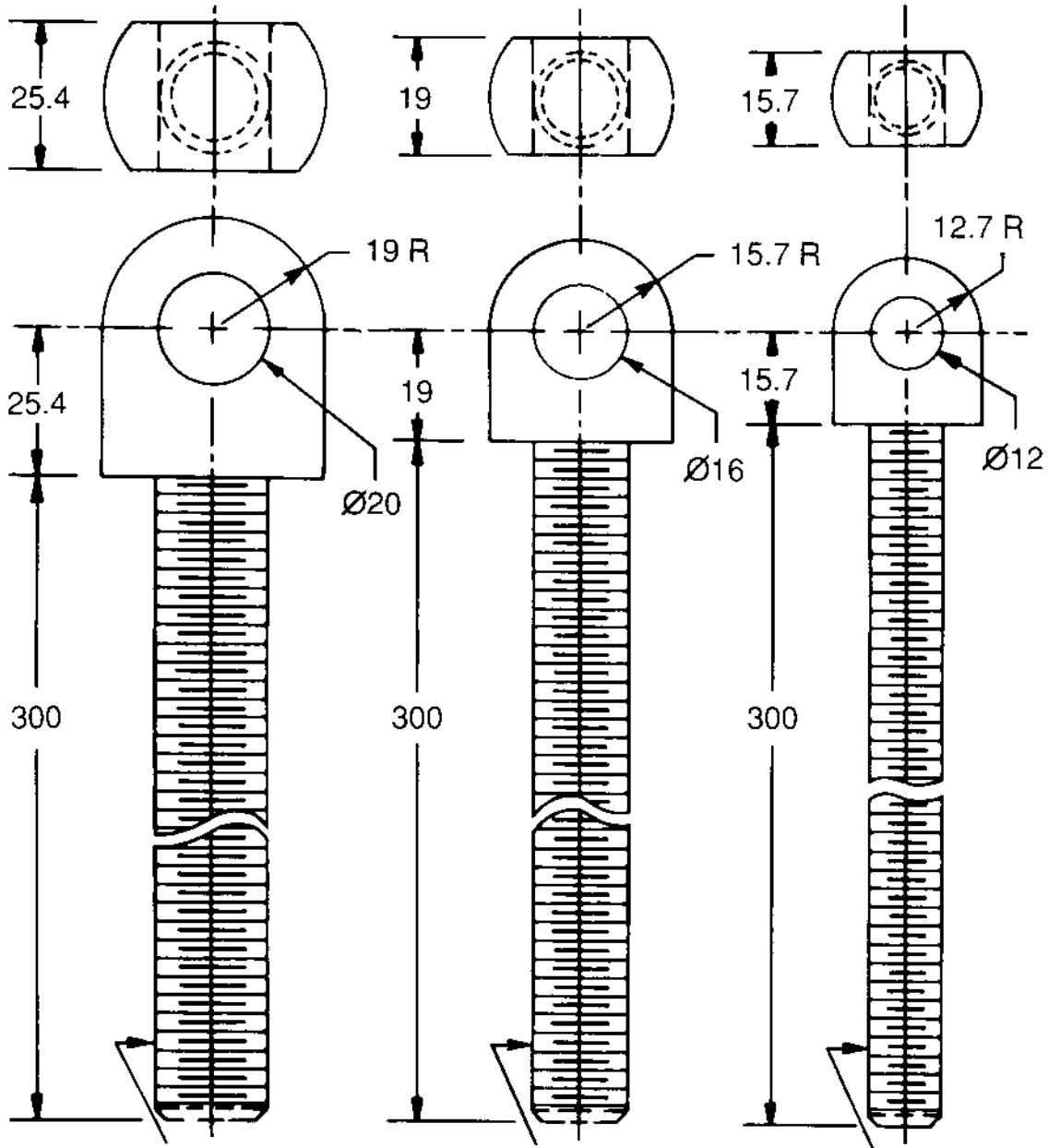


Metric Swing Bolts

Cad File Name EM620
Part Number EM620

Cad File Name EM616
Part Number EM616

Cad File Name EM612
Part Number EM612



M20 x 2.5 THD.

M16 x 2.0 THD.

M12 x 1.75 THD.