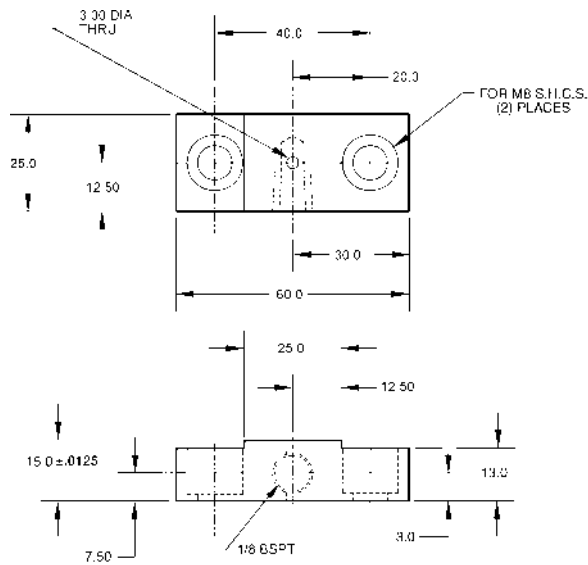
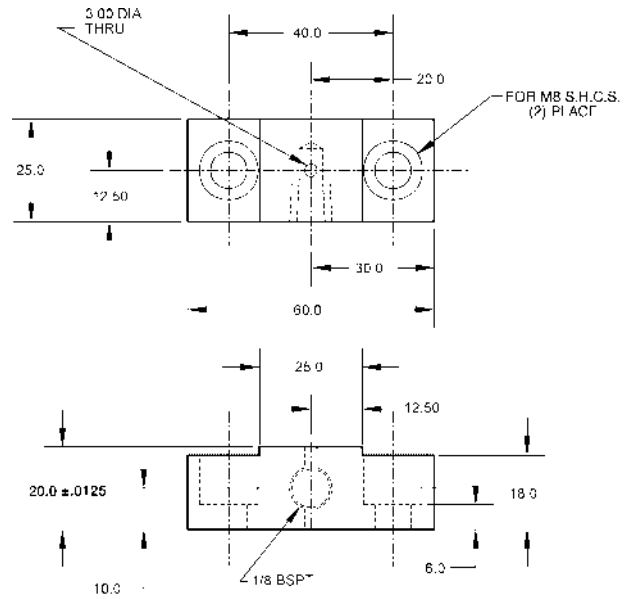


# Metric Rest Pads

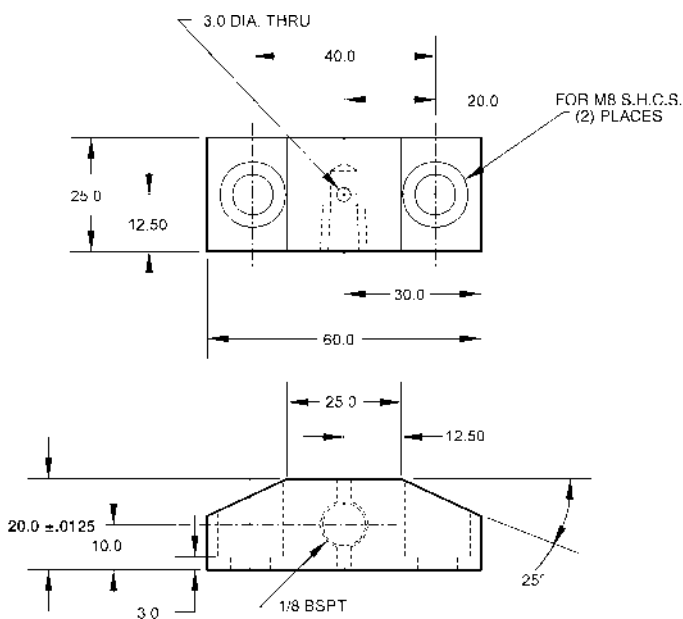
**CAD File Name** EHM008, EHM001  
**Part No.** EHM008, W/O AIR, EHM001 W/AIR



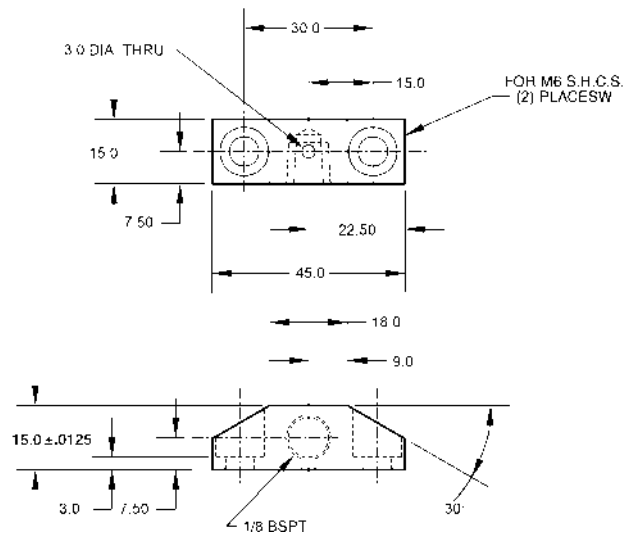
**CAD File Name** EHM021, EHM002  
**Part No.** EHM021, W/O AIR, EHM002 W/AIR



**CAD File Name** EHM042, EHM035  
**Part No.** EHM042, W/O AIR, EHM035 W/AIR



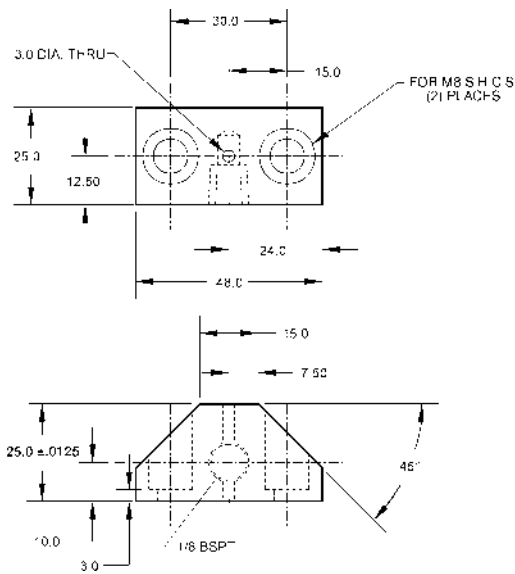
**CAD File Name** EHM015, EHM040  
**Part No.** EHM015, W/O AIR, EHM040 W/AIR



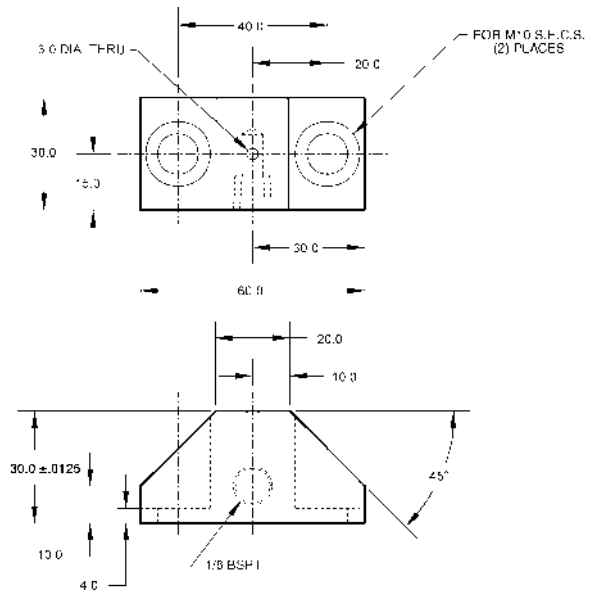
# Metric Rest Pads



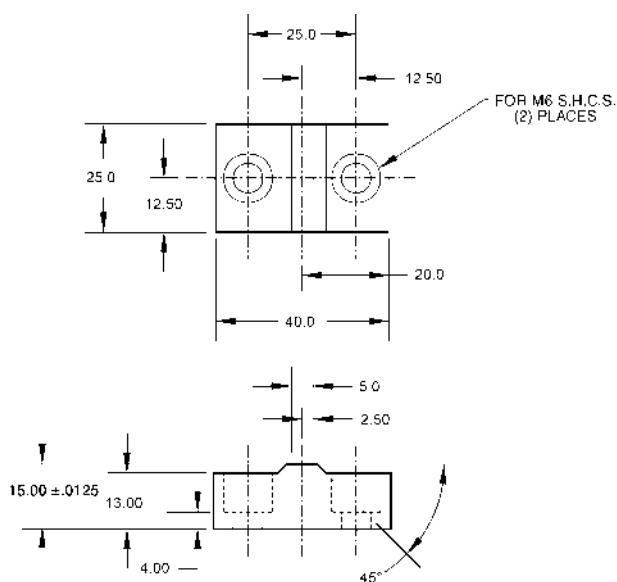
**CAD File Name** EHM032, EHM043  
**Part No.** EHM032, W/AIR, EHM043 W/O AIR



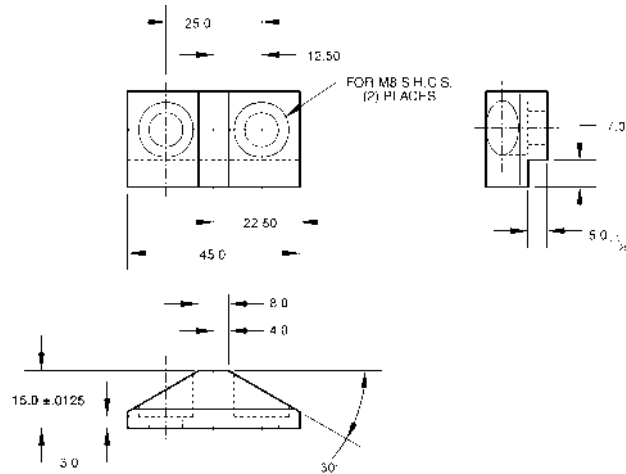
**CAD File Name** EHM033, EHM044  
**Part No.** EHM033, W/AIR, EHM044 W/O AIR



**CAD File Name** EHM034  
**Part No.** EHM034



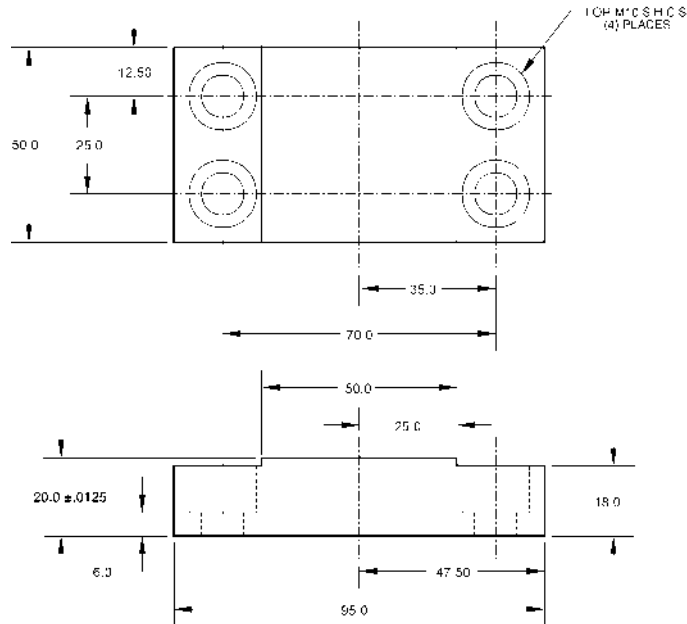
**CAD File Name** EHM03  
**Part No.** EHM03



# Metric Rest Pads

CAD File Name EHM022

Part No. EHM022



CAD File Name EHM041

Part No. EHM041

