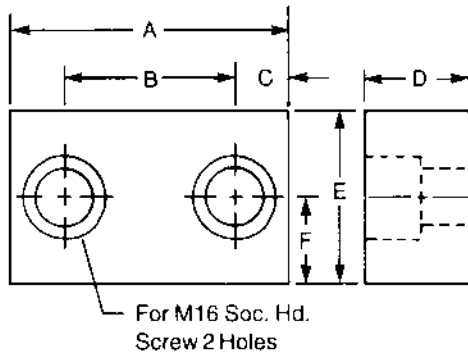
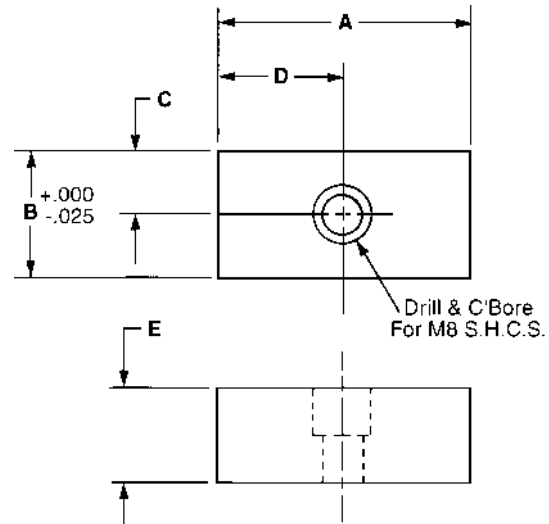


Metric Locating, Positioning Blocks & Fixture Keys



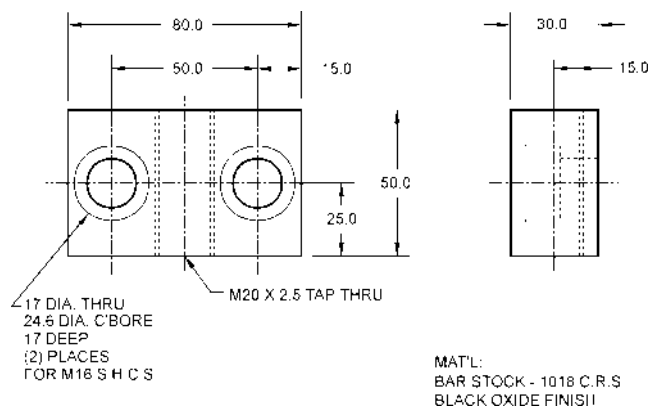
CAD FILE NAME	PART NUMBER	A	B	C	D	E	F
EHM049	EHM049	80.0	50.0	15.0	30.0	50.0	25.0
EHM050	EHM050	130.0	100.0	15.0	30.0	50.0	25.0
EHM051	EHM051	105.0	75.0	15.0	30.0	50.0	25.0



CAD FILE NAME	PART NUMBER	A	B	C	D	E
EM428	EM428	50	25	12.5	25.0	18
EM429	EM429	50	25	12.5	25.0	12
EM430	EM430	75	25	12.5	37.5	18
EM431	EM431	75	25	12.5	37.5	25

Metric

CAD File Name EHM052 Part No. EHM052



CAD File Name EHM053 Part No. EHM053

