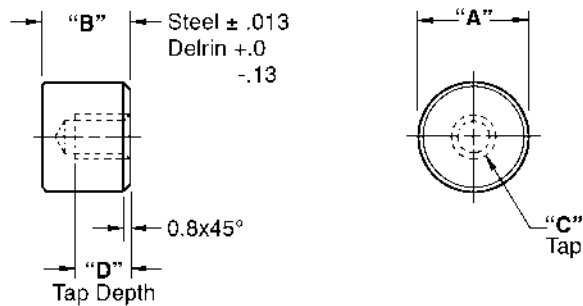


Metric Round Rest Pads



PART NUMBER		A DIA.	B HEIGHT	C TAP	D TAP DEPTH
STEEL	DELKIN				
EMSRP-100	EMDRP-100	10MM	10MM	M5 x 0.8	5.0MM
EMSRP-102	EMDRP-102	10MM	12MM	M5 x 0.8	6.4MM
EMSRP-120	EMDRP-120	12MM	10MM	M5 x 0.8	5.0MM
EMSRP-122	EMDRP-122	12MM	12MM	M5 x 0.8	6.4MM
EMSRP-160	EMDRP-160	16MM	10MM	M6 x 1.0	5.0MM
EMSRP-162	EMDRP-162	16MM	12MM	M6 x 1.0	6.4MM
EMSRP-200	EMDRP-200	20MM	10MM	M6 x 1.0	5.0MM
EMSRP-202	EMDRP-202	20MM	12MM	M6 x 1.0	6.4MM
EMSRP-250	EMDRP-250	25MM	10MM	M6 x 1.0	5.0MM
EMSRP-252	EMDRP-252	25MM	12MM	M6 x 1.0	6.4MM

MATERIALS: STEEL = 8620 CASE HARDENED BLACK
OXIDE FINISH
DELKIN = WHITE DELKIN



All dimensions are in mm