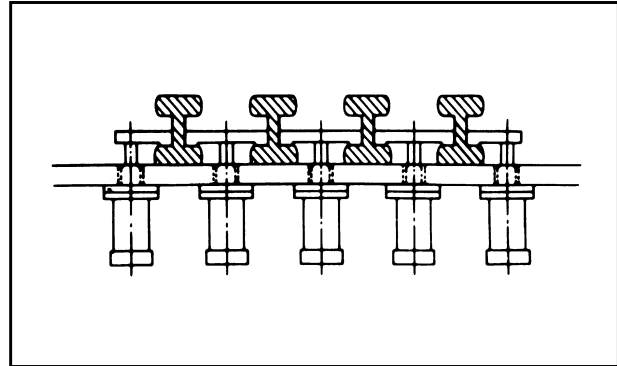


An economical solution to light-duty clamping or material handling applications. Units feature a standard 1 1/8" bore cylinder, 90 right- or left-hand rotation, a range of mounting options with threaded shafts for ease of attaching clamping details.



## DESIGN FEATURES

- Precision machined cam track
- Hardened and ground housing
- Precision cam follower hardened and ground
- Available in a variety of mounting styles
- Aluminum body
- Stainless steel rod

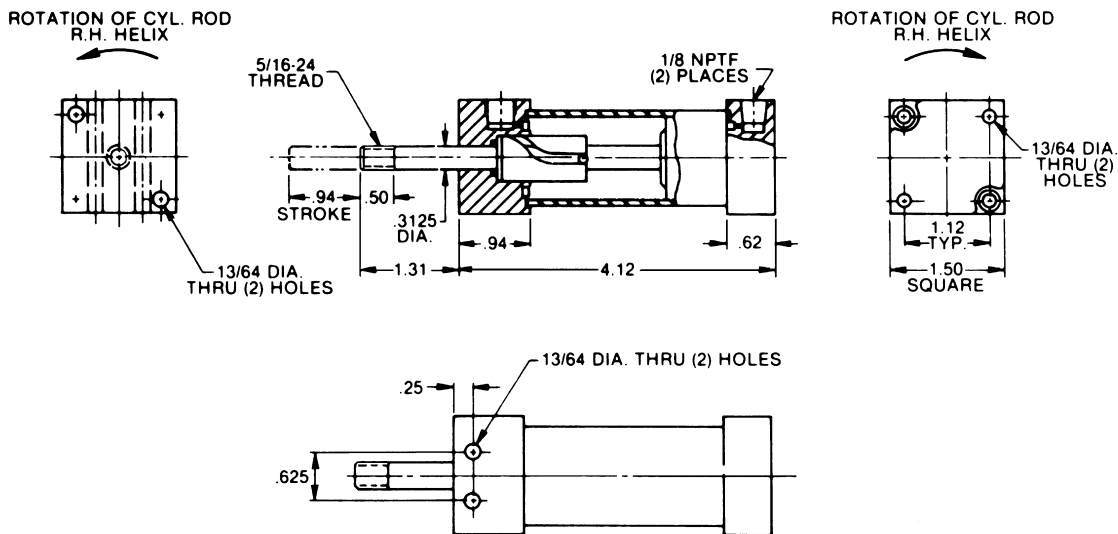
## APPLICATION

Typically used in pull-to-clamp situations where less clamping force is required.

Click to download CAD File (STP Format) 2dwg & 3dwg visit [eandesp.com](http://eandesp.com)

**CAD File Name = E38100**

**Part No. E-38100-R, E-38100-L**



RIGHT HAND SHOWN, LEFT HAND ALSO STANDARD



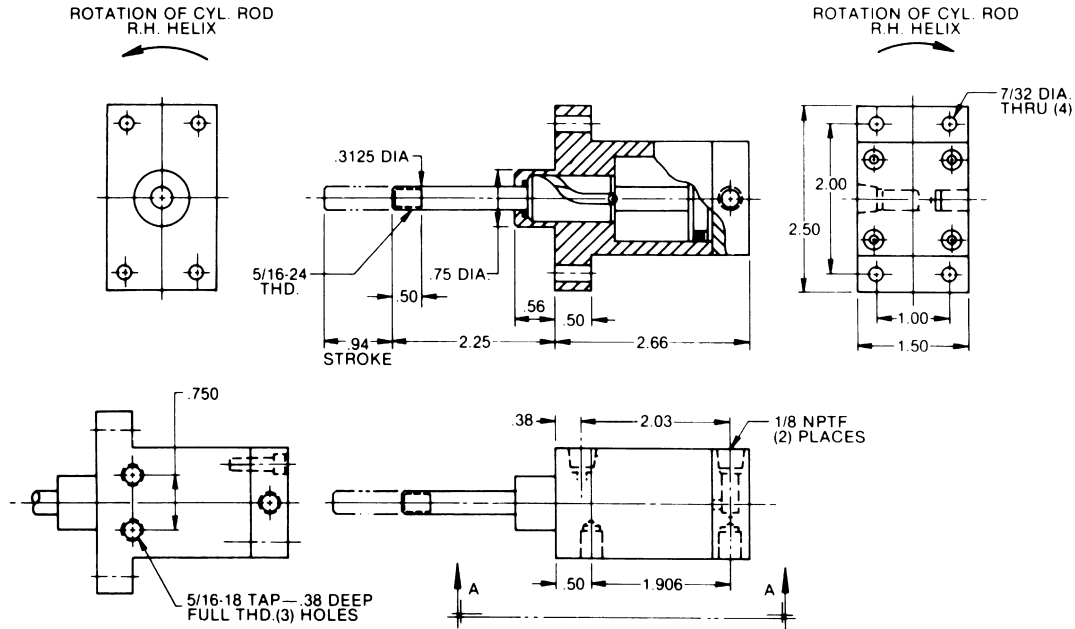
# Mini Powered Rota Shafts/1.12" Bore



Click to download CAD File (STP Format) 2dwg & 3dwg visit eandesp.com

**CAD File Name=E38112**

**Part No. E-38112-R, E-38112-L**

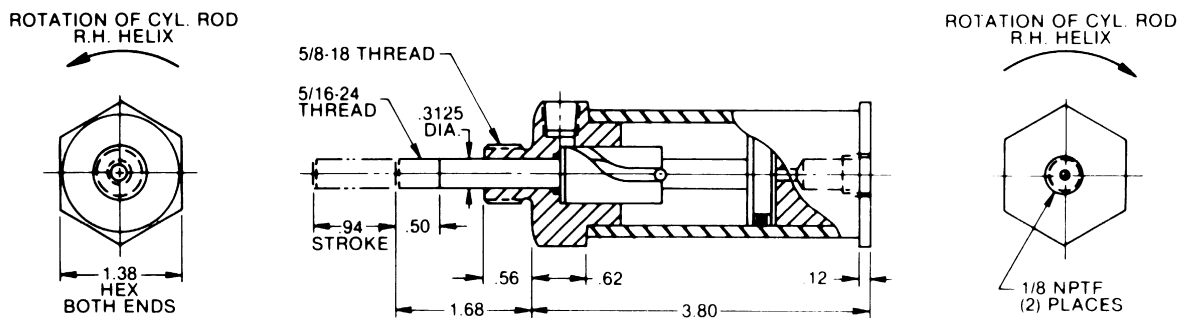


RIGHT HAND SHOWN, LEFT HAND ALSO STANDARD

**CAD Directory**  
Linear-Rotary/Internal

**CAD File Name=E37100**

**Part No. E-37100-R, E-37100-L**



RIGHT HAND SHOWN, LEFT HAND ALSO STANDARD

### TRAVEL FOR ALL UNITS SHOWN

- .35 Straight
- .59 During 90°
- .94 Total

### CLAMPING FORCE AT MAXIMUM

100 P.S.I. 100 Push 92 Pull

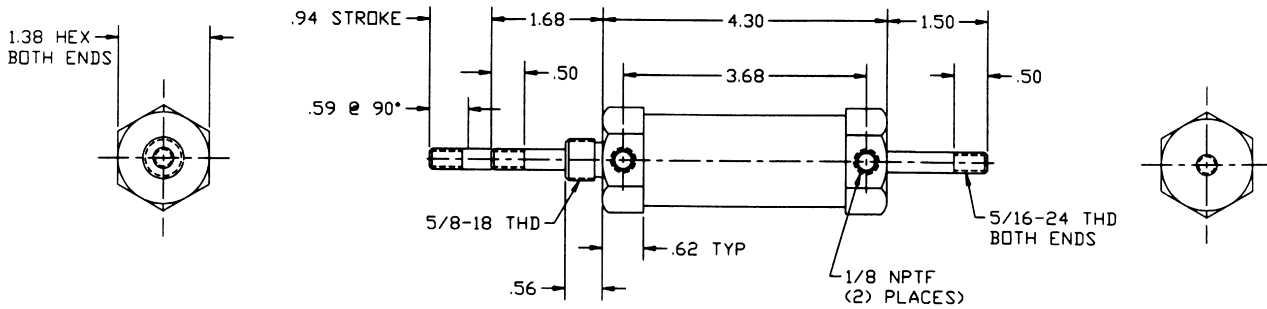
**CAD Directory**  
Linear-Rotary/Internal

Linear/Rotary Motion

# Double Rod End Mini-Powered Rota Shafts 1.12" Bore

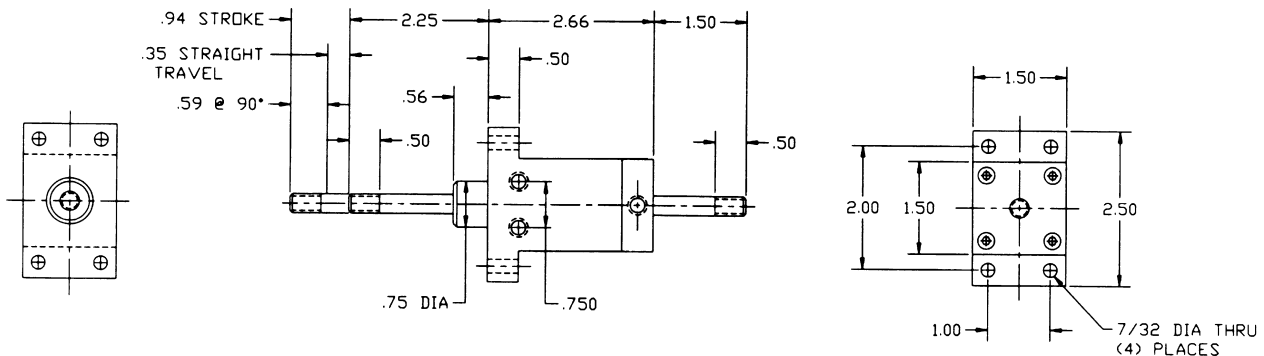
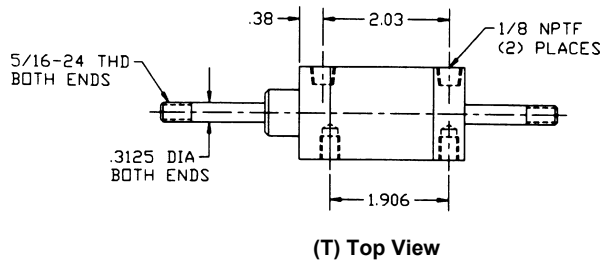
Click to download CAD File (STP Format) 2dwg & 3dwg visit eandesp.com

**CAD File Name = E37100DE**  
**Part No. E-37100-R/L-DE**



**CAD Directory**  
 Linear-Rotary/Internal

**CAD File Name = E38112DE**  
**Part No. E-38112-R/L-DE**



**CAD Directory**  
 Linear-Rotary/Internal



# Double Rod End Mini-Powered Rota Shafts 1.12" Bore



Click to download CAD File (STP) Format. 2dwg & 3dwg visit eandesp.com

**CAD File Name = E38100DE**

**Part No. E-38100-R/L-DE**

Linear/Rotary Motion

