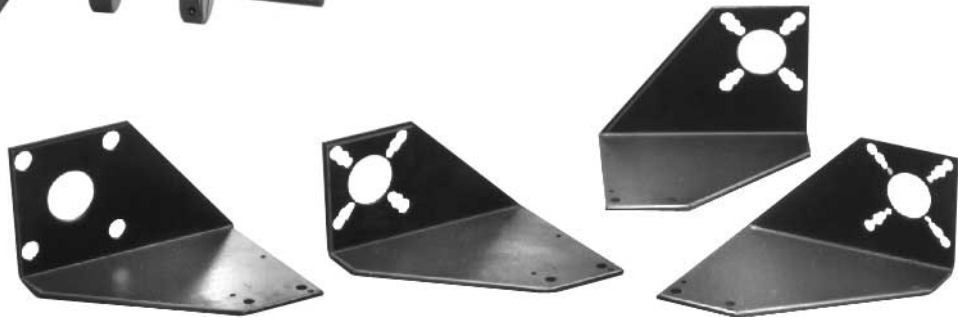




## Features:

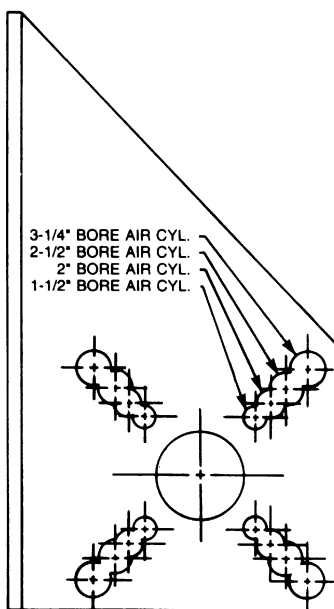
- Fits Air or Hydraulic J.I.C. Cylinders
- Accommodate Variety of Bore Sizes
- Pre-drilled for Mounting Most Standard Limit Switches
- Block Oxide Finish
- Right Hand or Left Hand Mounts



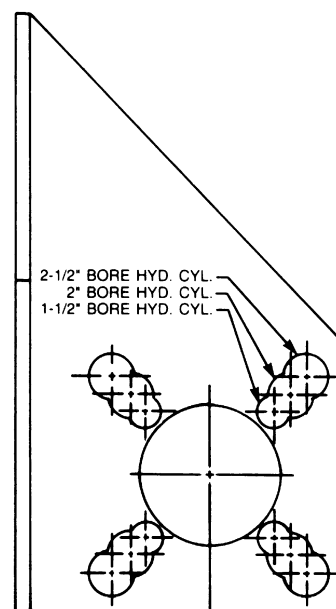
**Caution:** Due to the numerous Cylinder Switch manufacturers, we recommend that you verify all mounting dimensions prior to ordering Switch Brackets.

## Types

### Air Cylinder Mount



### Hydraulic Cylinder Mount



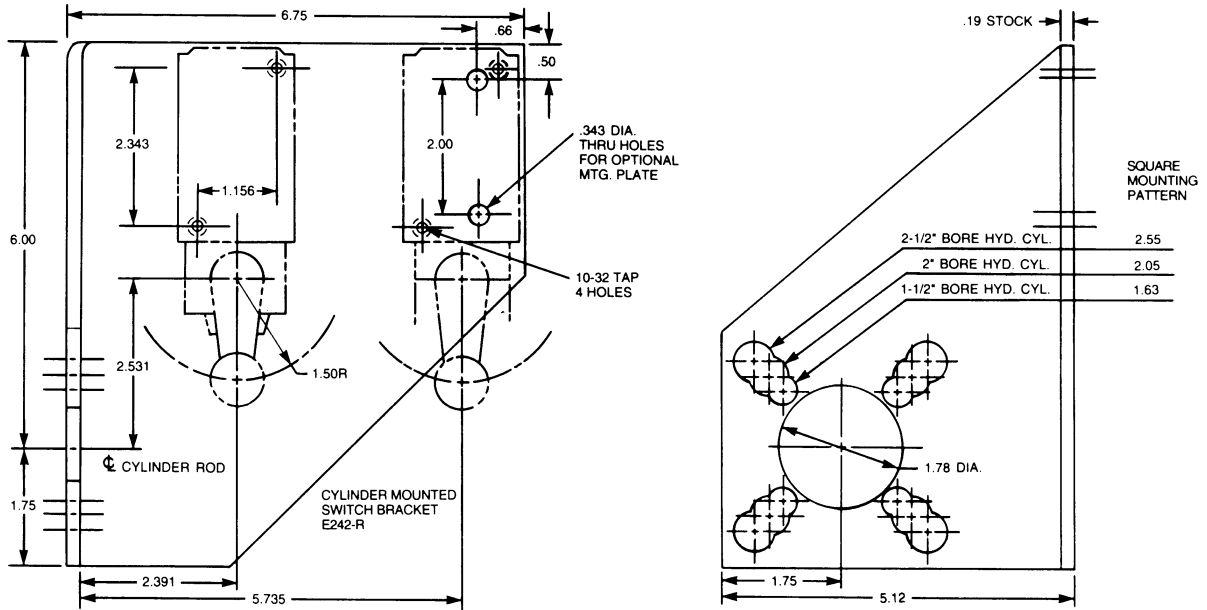
**NOTE:** TO FACILITATE MOUNTING OF THE SWITCH BRACKET TO THE CYLINDER, THE CYLINDER MUST BE PROVIDED WITH EXTENDED TIE RODS.



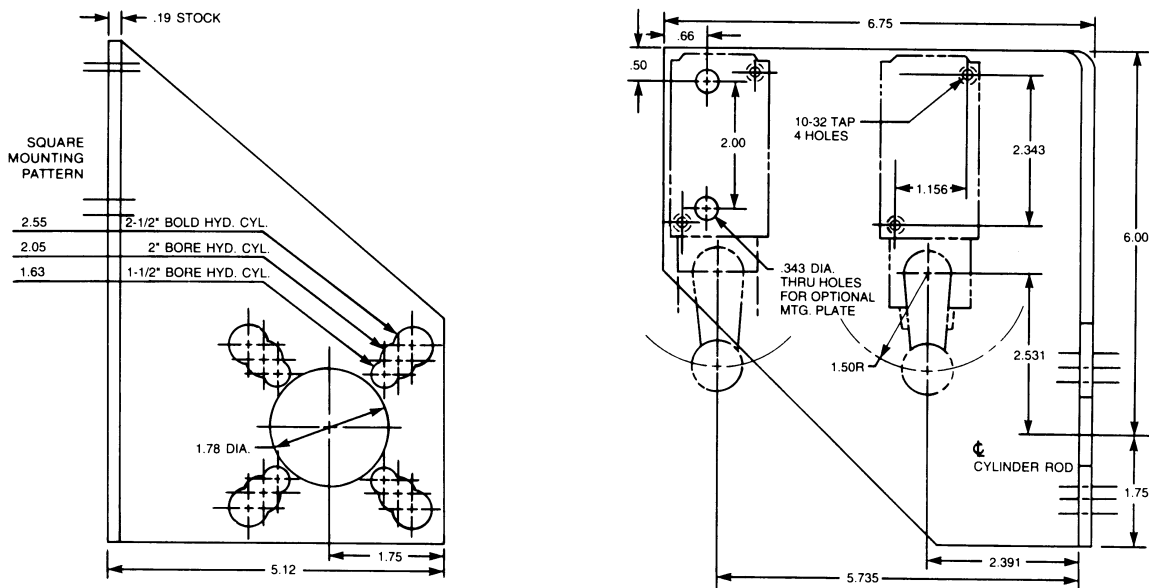
# Switch Brackets

For Heavy-Duty J.I.C. Hydraulic Cylinders Allowing Plug-In Limit Switches  
Click to download STP CAD File. 2dwg & 3dmg visit eandesp.com

## CAD File Name E242-R Part No. E242-R



## CAD File Name E242-L Part No. E242-L



Cylinder Accessories



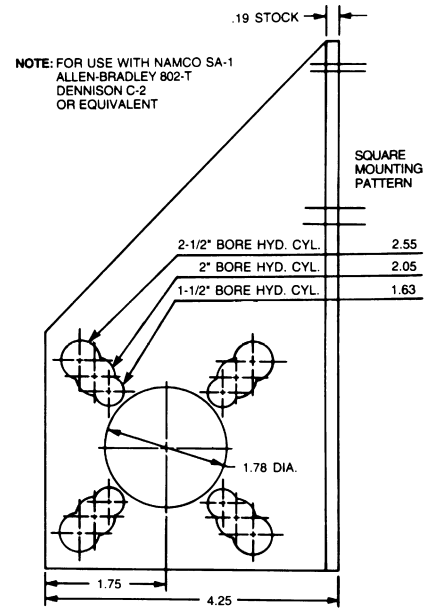
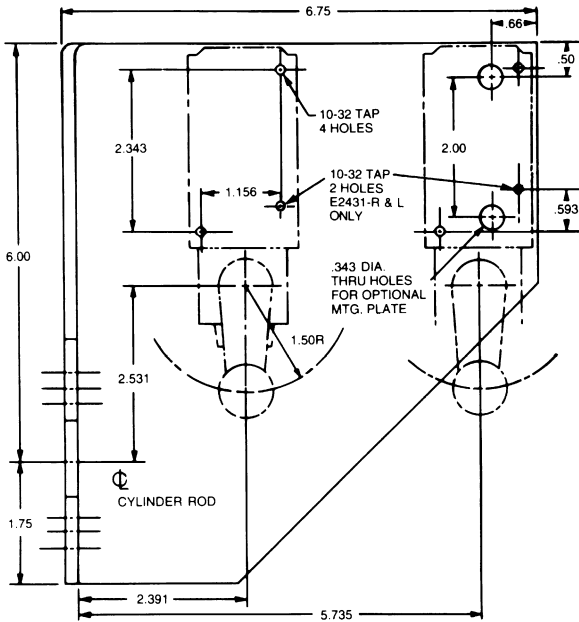
# Switch Brackets

For Heavy-Duty J.I.C. Hydraulic Cylinders

Click to download STP CAD File. 2dwg & 3dwg please visit eandesp.com

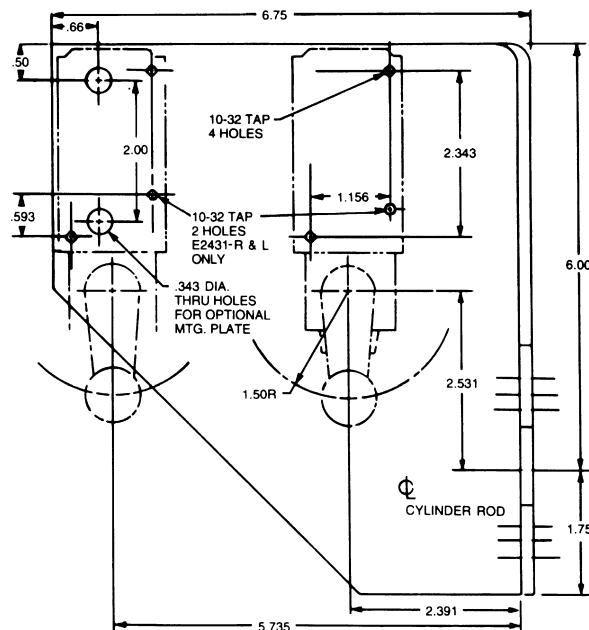
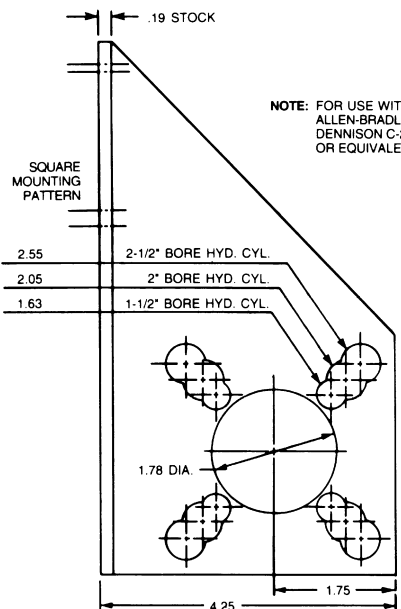
**CAD File Name E243-R, E2431-R**

**Part No. E243-R, E2431-R**



**CAD File Name E243-L, E2431-L**

**Part No. E243-L, E2431-L**





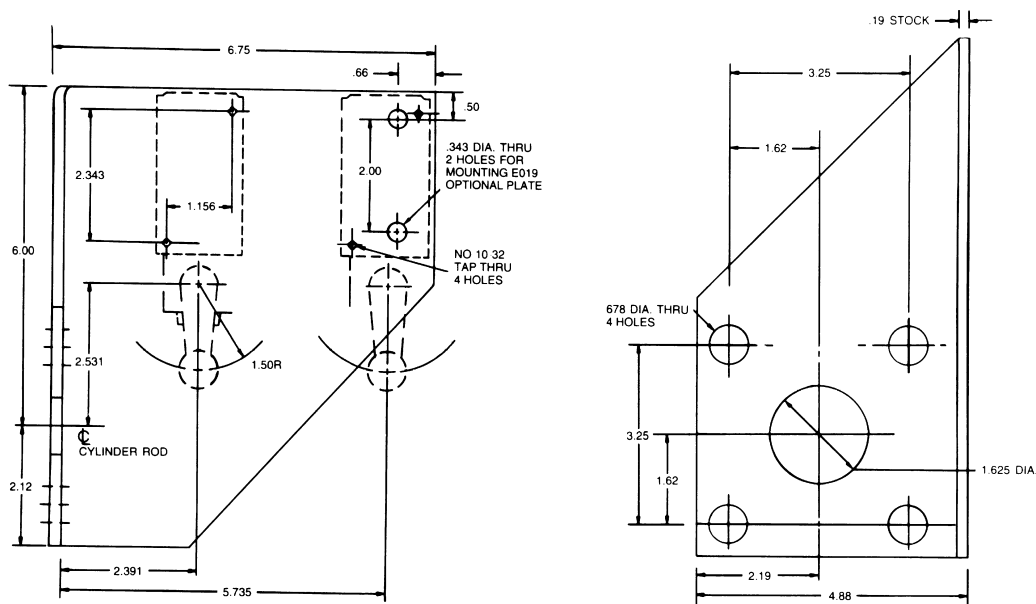
# Switch Brackets

For Heavy-Duty J.I.C. Hydraulic 3-1/4" Bore Cylinders

Click to download STP CAD file. 2dwg & 3dwg visit eandesp.com

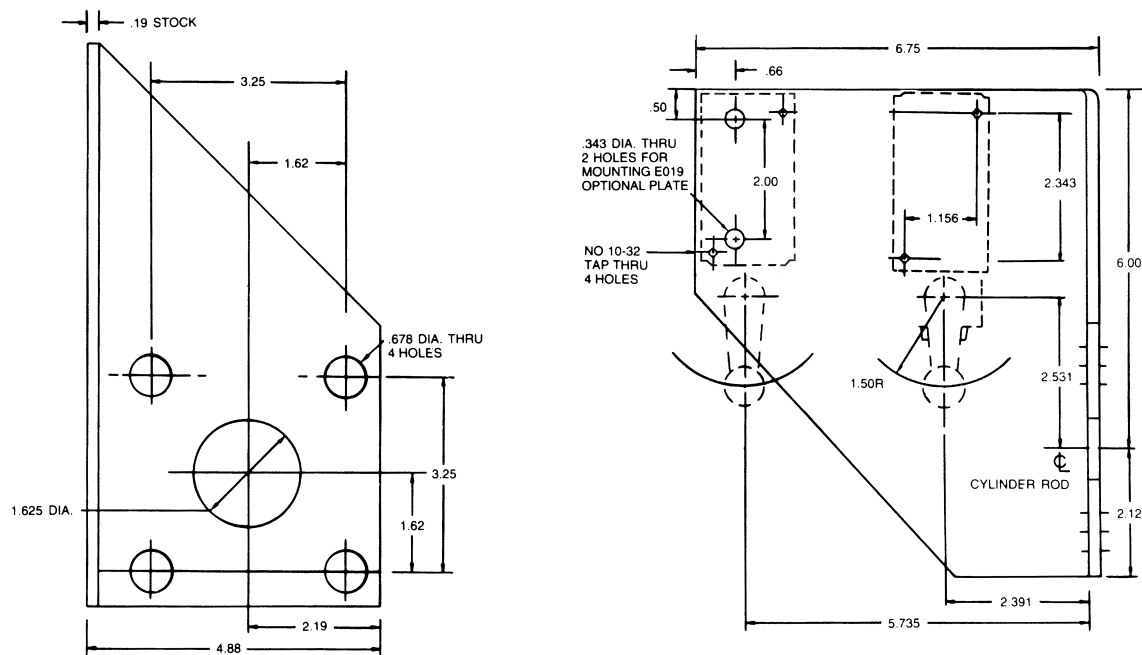
**CAD File Name E245-R**

**Part No. E245-R**



**CAD File Name E245-L**

**Part No. E245-L**

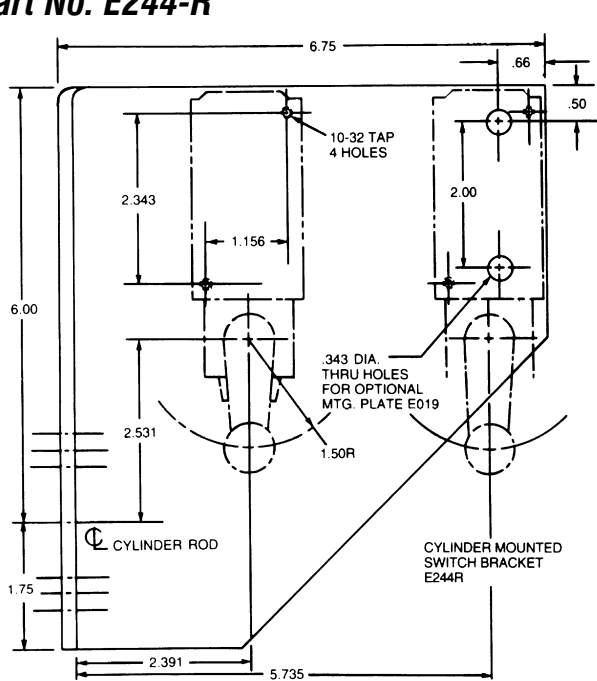




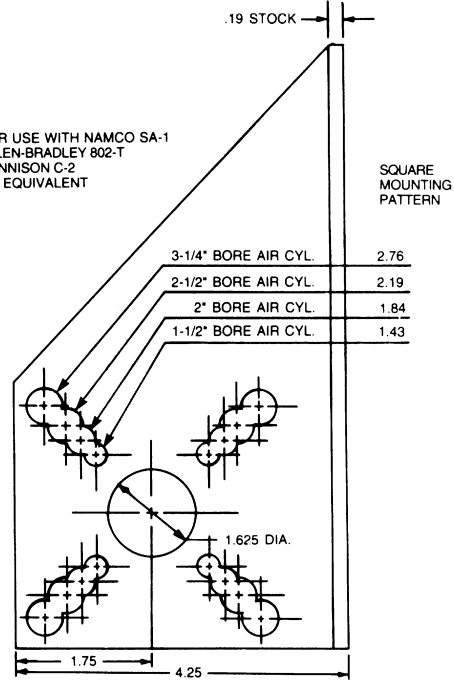
# Switch Brackets

For Air or Medium-Duty J.I.C. Hydraulic Cylinders  
Click to download STP CAD file. 2dwg & 3dwg visit eandesp.com

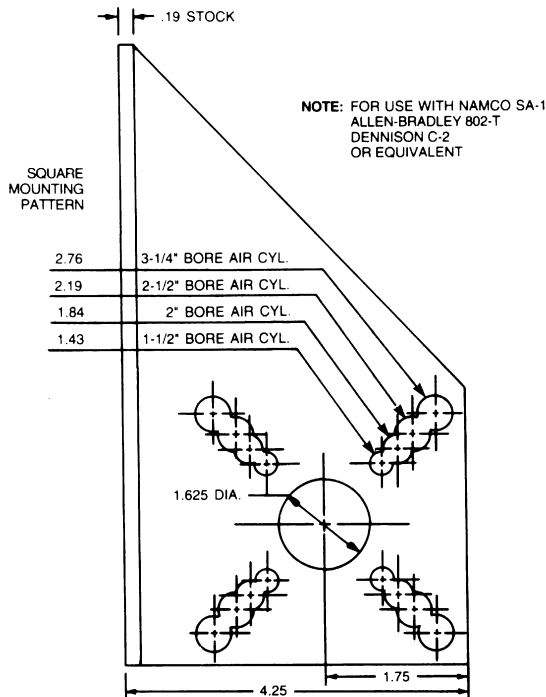
**CAD File Name E244-R**  
**Part No. E244-R**



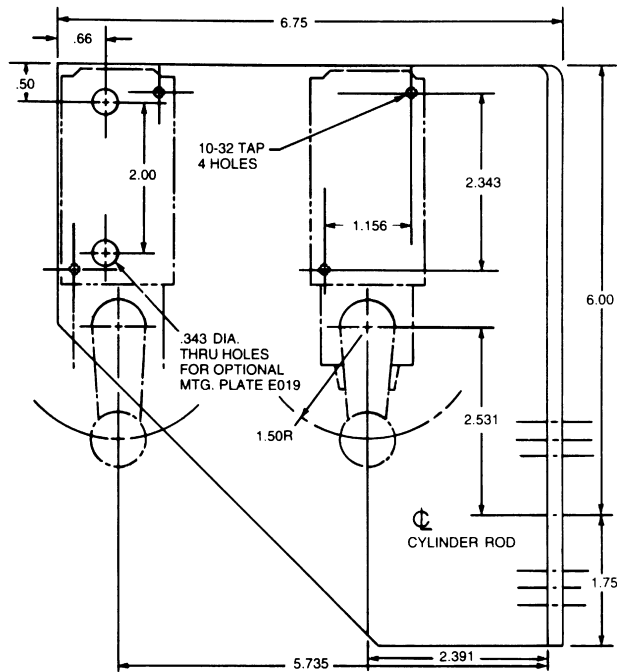
NOTE: FOR USE WITH NAMCO SA-1  
ALLEN-BRADLEY 802-T  
DENNISON C-2  
OR EQUIVALENT



**CAD File Name E244-L**  
**Part No. E244-L**

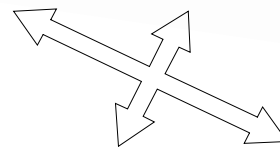
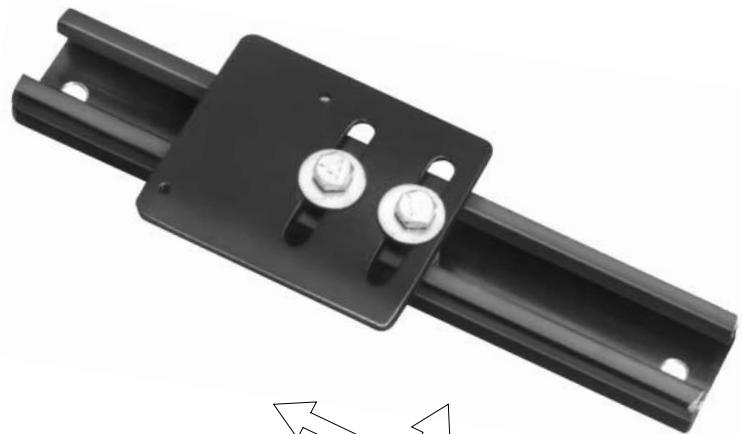


NOTE: FOR USE WITH NAMCO SA-1  
ALLEN-BRADLEY 802-T  
DENNISON C-2  
OR EQUIVALENT



# Adjustable Switch Brackets

Click to download STP CAD file.  
2dwg & 3dwg visit eandesp.com



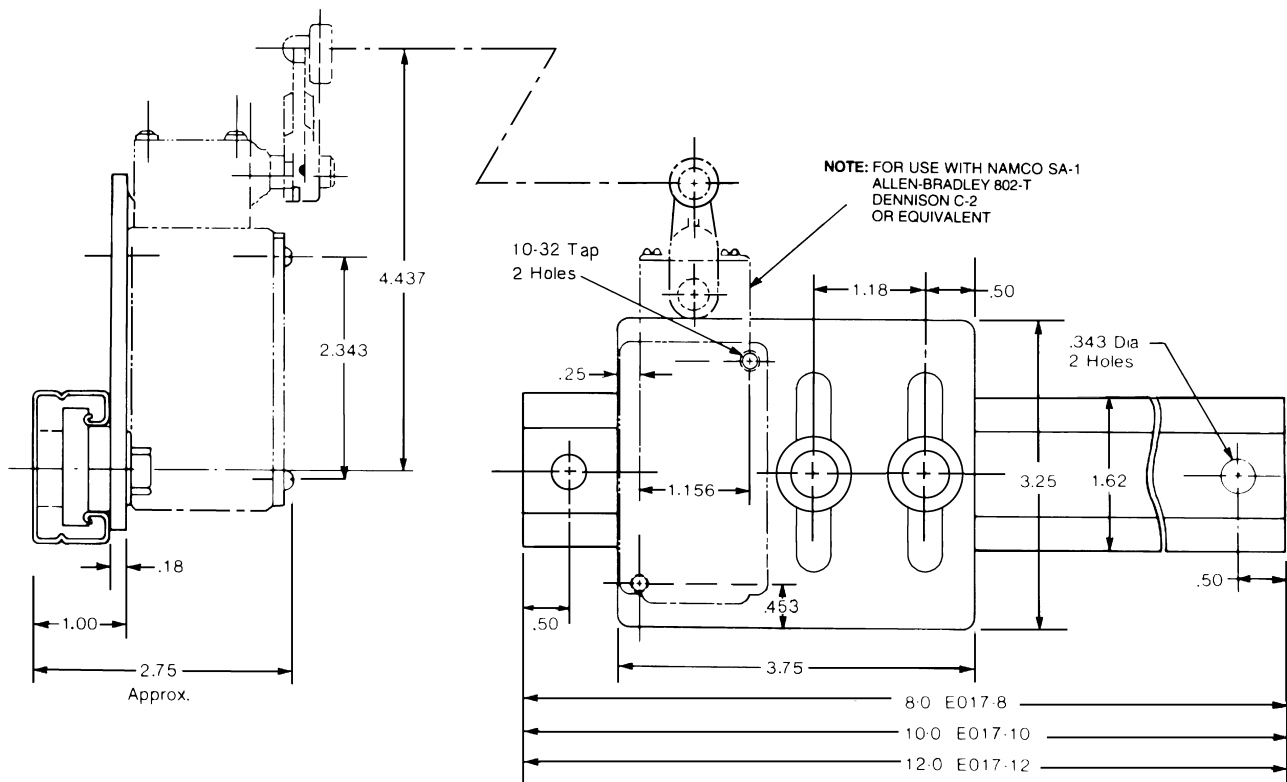
ADJUSTABLE  
2 AXIS

## Features:

- Variety of Channel Length
- Mounting Plate
- All Hardware for Positioning
- Special Lengths Available from Stock

**CAD File Name E017**

**Part No. E017-8, E017-10, E017-12**



### “Stretch”

The shortest standard component is given. You may “Stretch” the unit to the desired length.

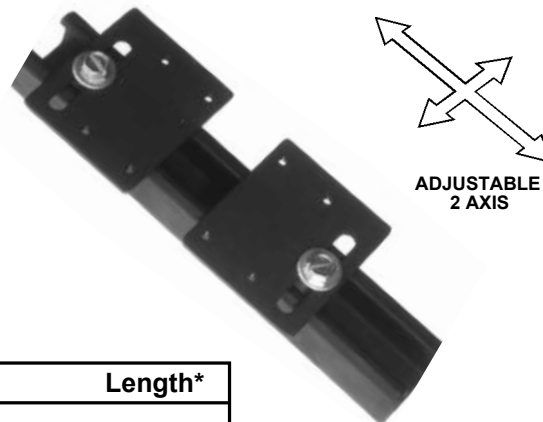
CAD Directory  
Cylinder-ACC\SWBrack

# Adjustable Proximity Switch Brackets



## Features:

- Adjustable Two Axis
  - Variety of Channel Lengths
  - Special Lengths Available from Stock
  - Accommodates Most Standard Proximity Switches
- Note: Check Mounting Dimensions of Proximity Switch Prior to Ordering
- May Be Mounted to a Standard Cylinder Bracket



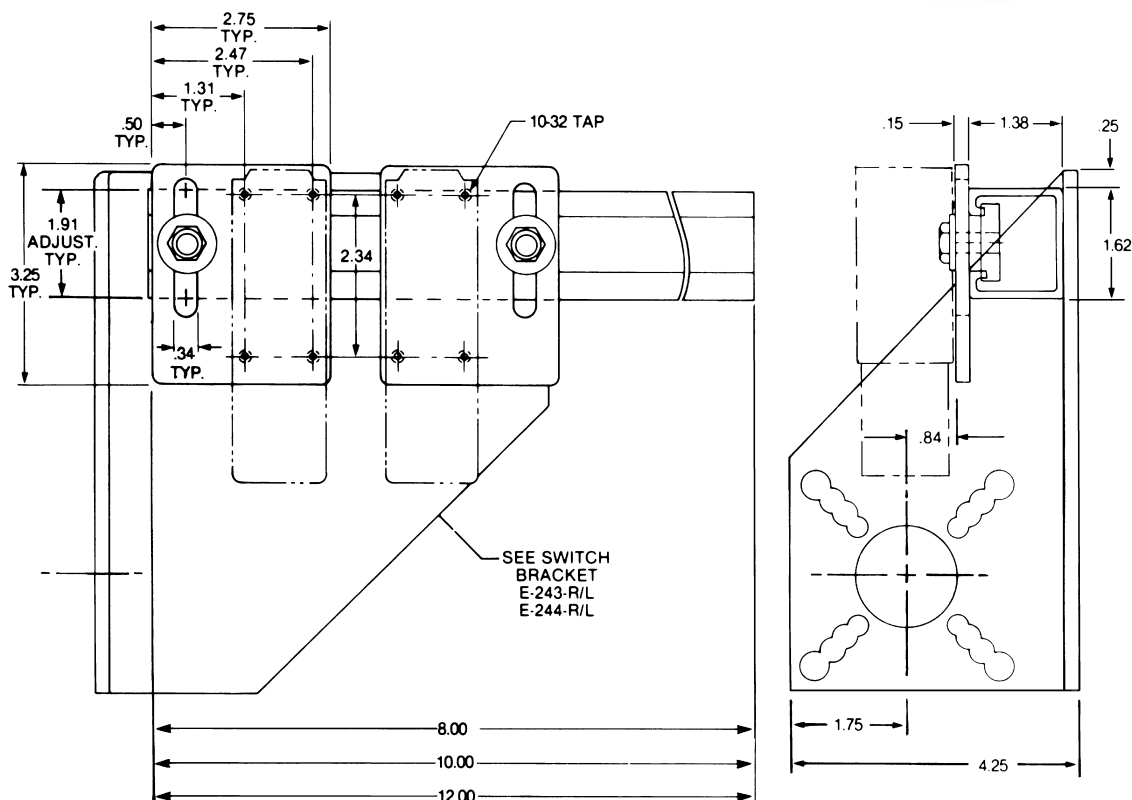
ADJUSTABLE  
2 AXIS



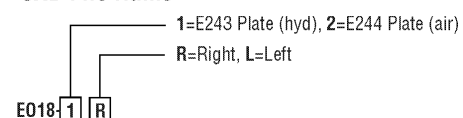
## Ordering Information

Part Number	Description	Length*
E018	Adjustable Proximity Switch Bracket (Includes 2 Plates, Hardware and Channel)	8-10-12
E018-D/1	(1) Plate and Hardware Only	—
E018-D/2	Channel Only	8-10-12
E018-243-R/L	Mounted to a Hydraulic Cylinder Mount Bracket	8-10-12
E018-244-R/L	Mounted to an Air Cylinder Mount Bracket	8-10-12

\*Specify Length on All Channels



## CAD File Name



## “Stretch”

The shortest standard component is given. You may “Stretch” the unit to the desired length.

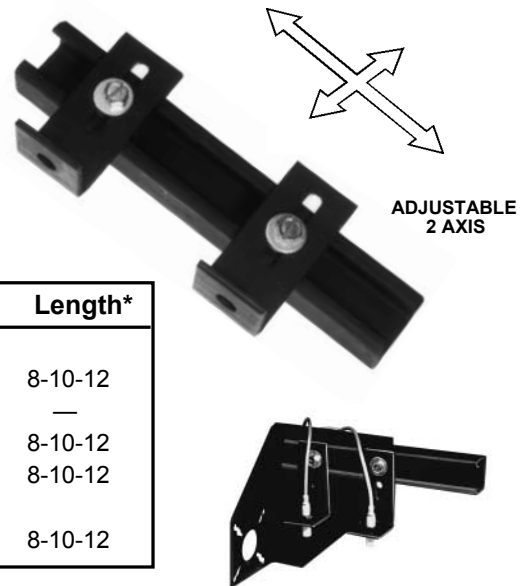
CAD Directory  
Cylinder-ACC\SWBrack

# Adjustable Threaded Proximity Switch Brackets



## Features:

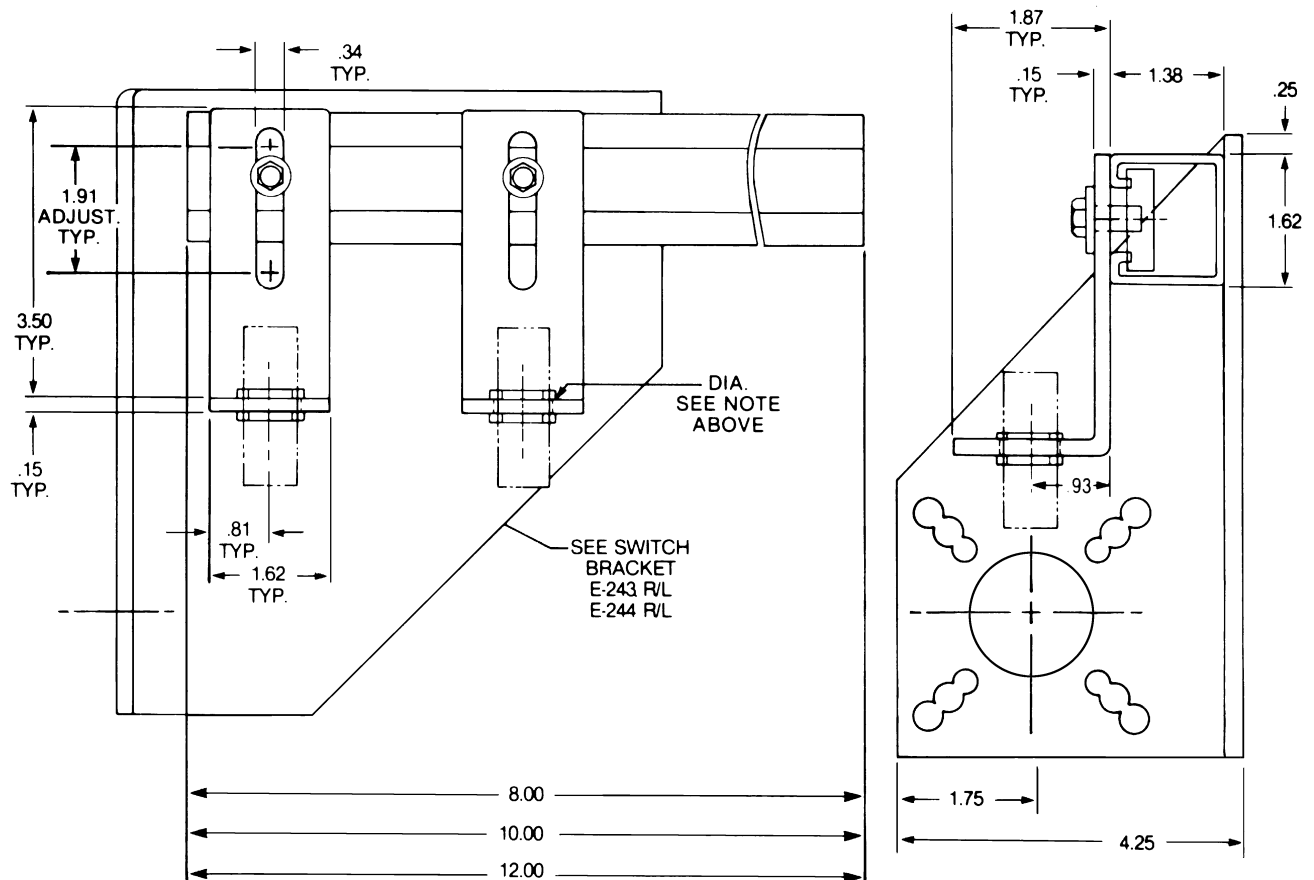
- Adjustable Two Axis
- Variety of Channel Lengths
- Special Lengths Available from Stock
- Provided with 1/2" Pilot Hole
- May Be Mounted to a Standard Cylinder Bracket



## Ordering Information

Part Number	Description	Length*
E019	Adjustable Threaded Proximity Switch Bracket (Includes 2 Angle Plates, Hardware and Channel)	8-10-12
E019-D/1	(1) Angle Plate and Hardware Only	—
E019-D/2	Channel Only	8-10-12
E019-243-R/L	Mounted to a Hydraulic Cylinder Mount Bracket	8-10-12
E019-244-R/L	Mounted to an Air Cylinder Mount Bracket	8-10-12

\*Specify Length on All Channels



Cylinder Accessories

**CAD Directory**  
Cylinder-ACC\SWBrack

**“Stretch”**  
The shortest standard component is given. You may “Stretch” the unit to the desired length.

### CAD File Name

1=E243 Plate (hyd), 2=E244 Plate (air)  
R=Right, L=Left  
E019-1 R