

Click to download CAD File (STP Format) for 2dwg & 3dwg visit [eandesp.com](http://eandesp.com)

CAD FILE NAME	PART NUMBER	A	B	C	D	E	F
E-428	<b>E428</b>	2.00	1.003 1.000	.500	1.00	.75	.38
	<b>E428-2562</b>	2.00	.999 .998	.500	1.00	.75	.38
	<b>E428-4946</b>	2.00	1.008/ 1.010	.500	1.00	.75	.38
E-429	<b>E429</b>	2.00	1.003 1.000	.500	1.00	.50	.12
	<b>E429-2562</b>	2.00	.999 .998	.500	1.00	.50	.12
	<b>E429-4946</b>	2.00	1.008/ 1.010	.500	1.00	.50	.12
E-430	<b>E430</b>	3.00	1.003 1.000	.500	1.50	.75	.38
	<b>E430-2562</b>	3.00	.999 .998	.500	1.50	.75	.38
	<b>E430-4946</b>	3.00	1.008/ 1.010	.500	1.50	.75	.38
E-431	<b>E431</b>	3.00	1.003 1.000	.500	1.50	1.00	.62
	<b>E431-2562</b>	3.00	.999 .998	.500	1.50	1.00	.62
	<b>E431-4946</b>	3.00	1.008/ 1.010	.500	1.50	1.00	.62

Material: Case Hardened Steel

# Adjusting Blocks

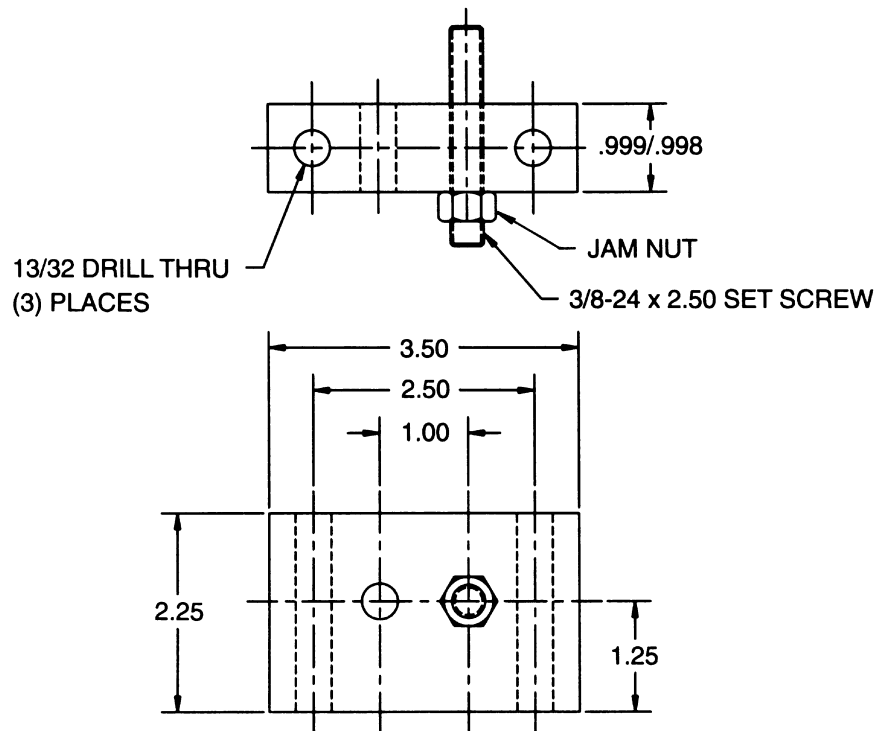
## DESIGN FEATURES

- Rugged Steel Construction
- Ground Width for Keying to Machine Base
- Adjust and Hold Down from One Unit
- Use Several Units for Multi Axis Adjustment
- Special Versions Available

Click to download CAD File (STP Format) 2dwg & 3dwg visit [eandesp.com](http://eandesp.com)

**CAD File Name E3006**

**Part No. E-3006**



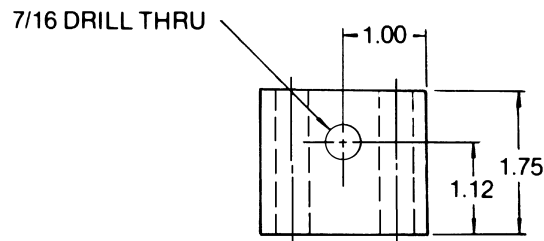
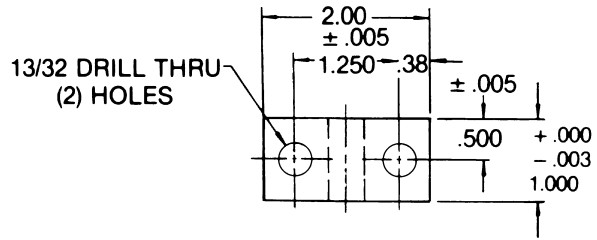
# Adjusting Blocks



Click to download CAD File (STP Format) 2dwg & 3dwg visit eandesp.com

**CAD File Name E425**

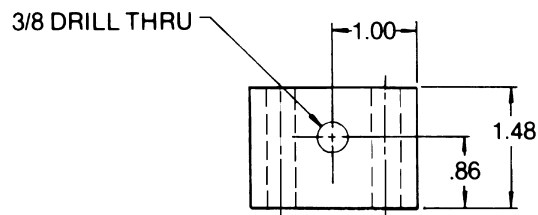
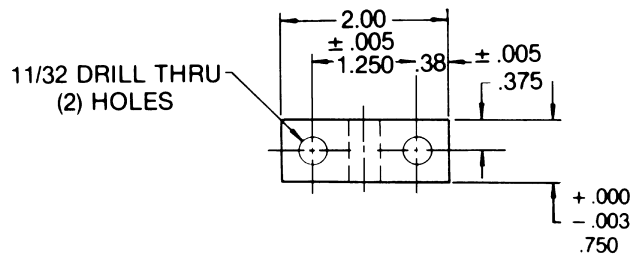
**Part No. E425**



FINISH: BLACK OXIDE

**CAD File Name E426**

**Part No. E426**



FINISH: BLACK OXIDE

**CAD File Name E427**

**Part No. E427 Spacer**

