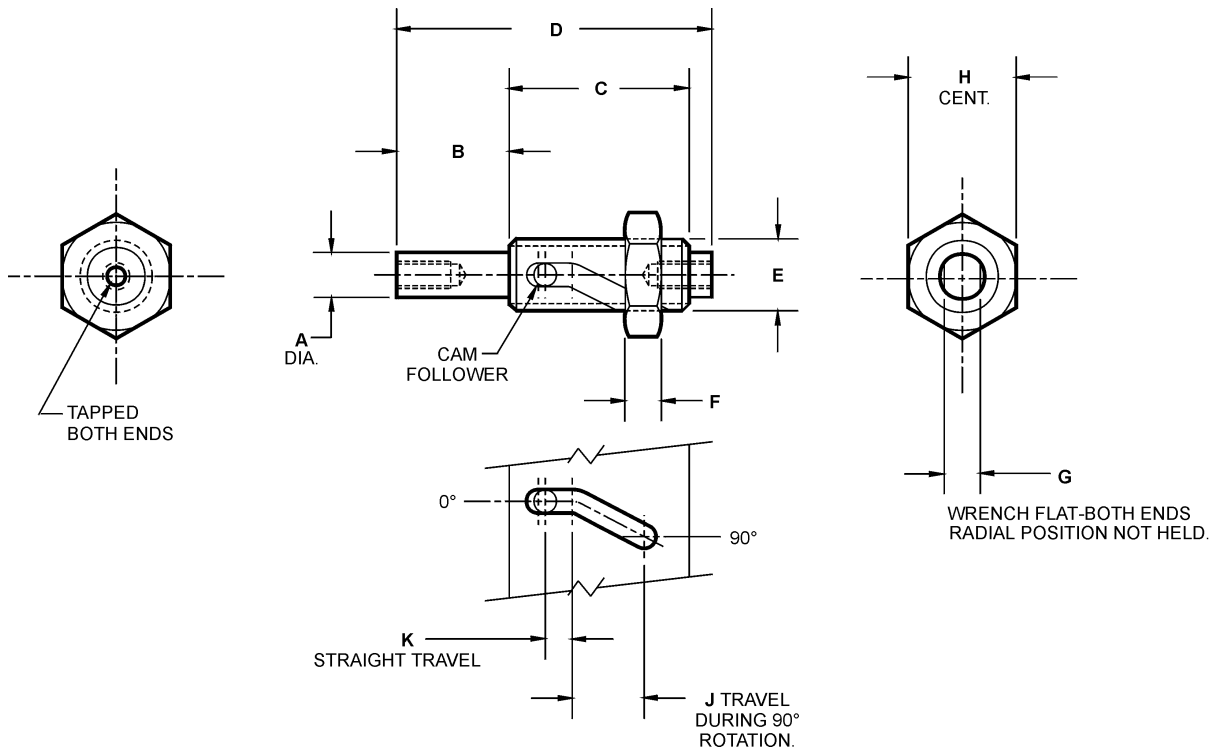


Metric Mini Non - Powered Rota - Shaft Clamps



Metric

Click to download CAD File (STP Format) 2dwg & 3dwg visit eandesp.com

CAD FILE NAME	PART NUMBER	TAP BOTH ENDS	DIMENSIONS									
			A	B	C	D	E	F	G	H	J	K
EM1208	EM-1208-R/L	M4 x 0.7	7.90 ±0.03	25.0	40.0	70.0	M16 x 1.5	8.0	6.0	24.0	15.0	5.0
EM1210	EM-1210-R/L	M6 x 1.0	9.90 ±0.03	30.0	45.0	80.0	M20 x 1.5	10.0	8.0	30.0	15.0	10.0
EM1212	EM-1212-R/L	M8 x 1.25	11.90 ±0.03	40.0	50.0	100.0	M24 x 2.0	12.0	10.0	36.0	15.0	15.0