

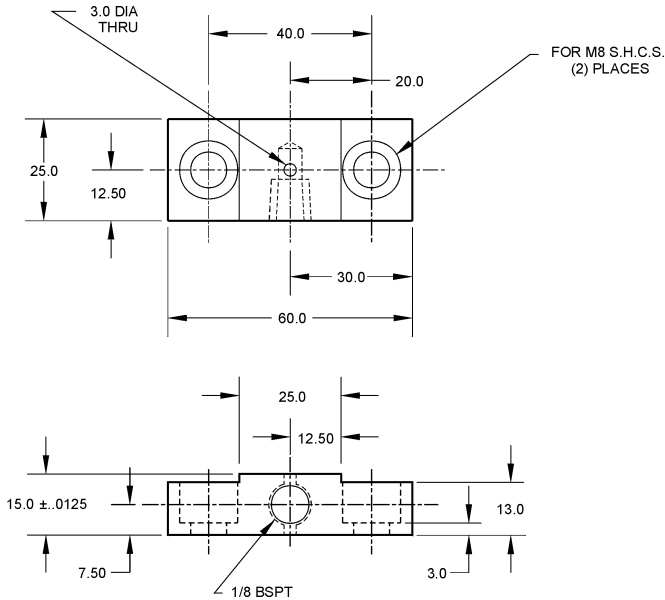
Metric Rest Pads



Click to download CAD Files (STP Format) 2dwg & 3dwg visit eandesp.com

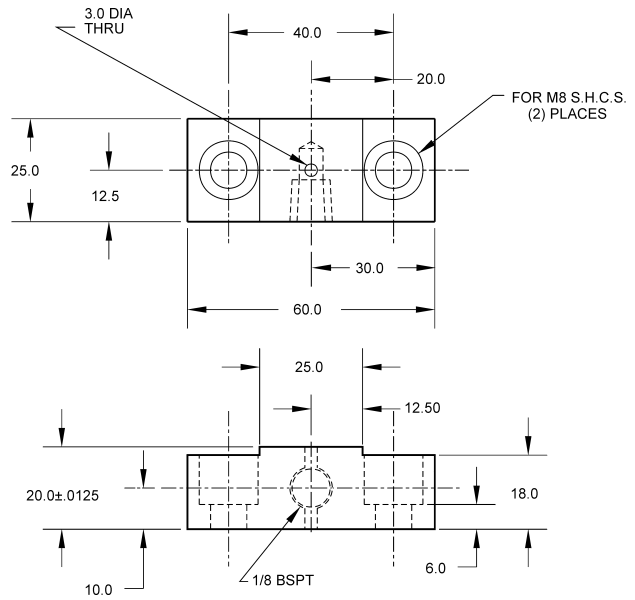
CAD File Name EHM001

Part No. EHM008, W/O AIR, EHM001 W/AIR



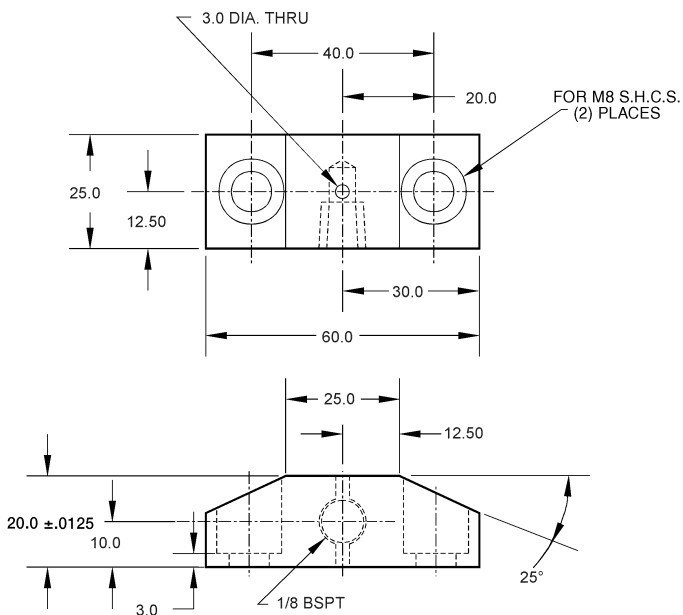
CAD File Name EHM002

Part No. EHM021, W/O AIR, EHM002 W/AIR



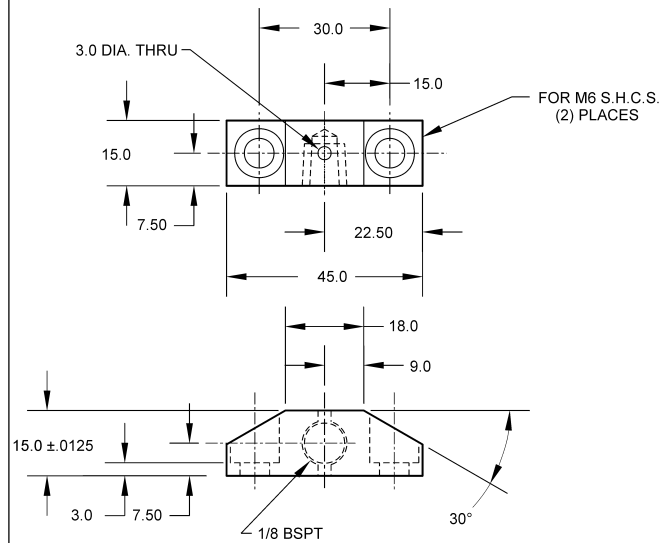
CAD File Name EHM035

Part No. EHM042, W/O AIR, EHM035 W/AIR



CAD File Name EHM040

Part No. EHM015, W/O AIR, EHM040 W/AIR



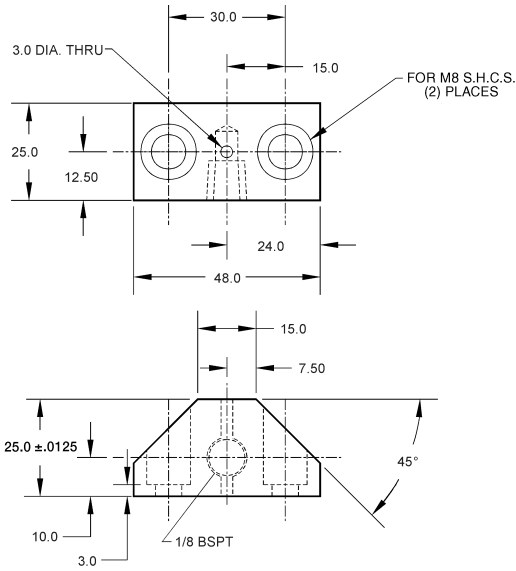
Metric Rest Pads



Click on CAD File to download (STP Format) 2dwg & 3dwg visit eandesp.com

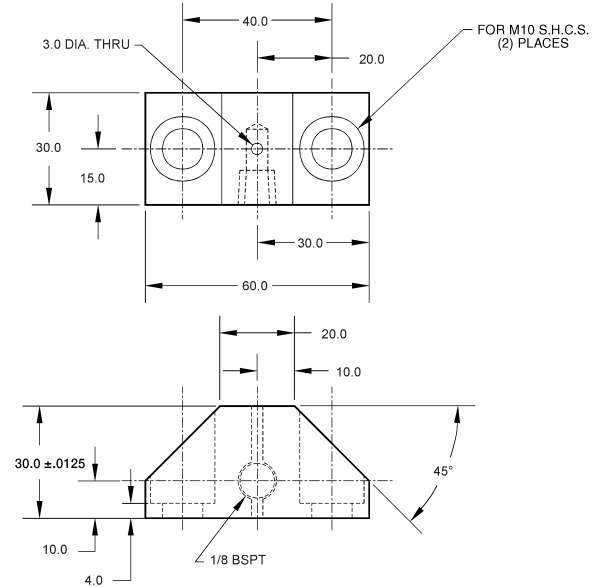
CAD File Name EHM032

Part No. EHM032, W/AIR, EHM043 W/O AIR



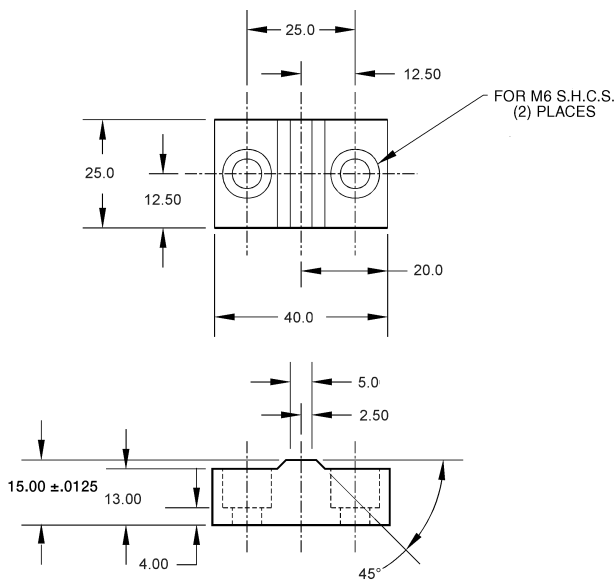
CAD File Name EHM033

Part No. EHM033, W/AIR, EHM044 W/O AIR



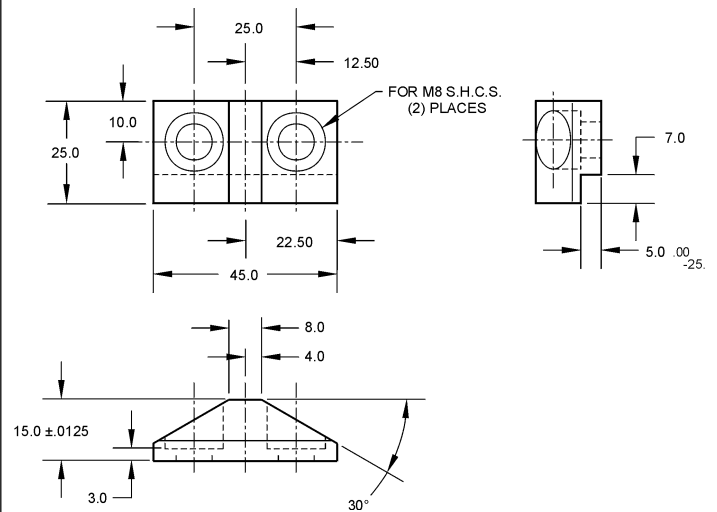
CAD File Name EHM034

Part No. EHM034



CAD File Name EHM036

Part No. EHM036



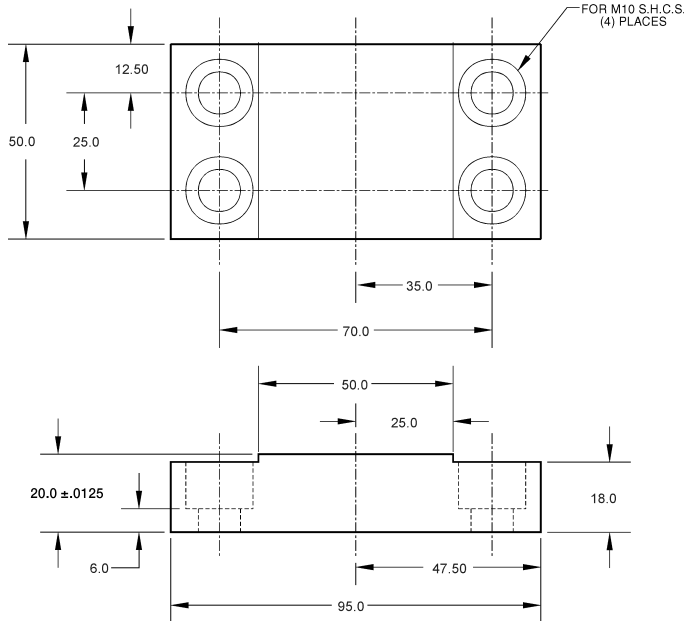
Metric Rest Pads



Click to download CAD File (STP Format) 2dwg & 3dwg visit eandesp.com

CAD File Name EHM022

Part No. EHM022



CAD File Name EHM041

Part No. EHM041

